

Somfy CT-32RT-12V Motor

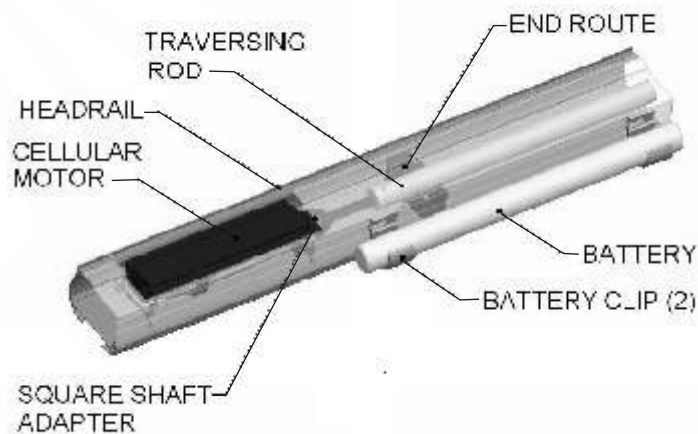
Fabrication / Assembly Instructions

Springs NEW Easy Up Headrail with 'Traversing Rod' Spooling System

Using Adapter # 2330090 4mm Sq Shaft Adapter

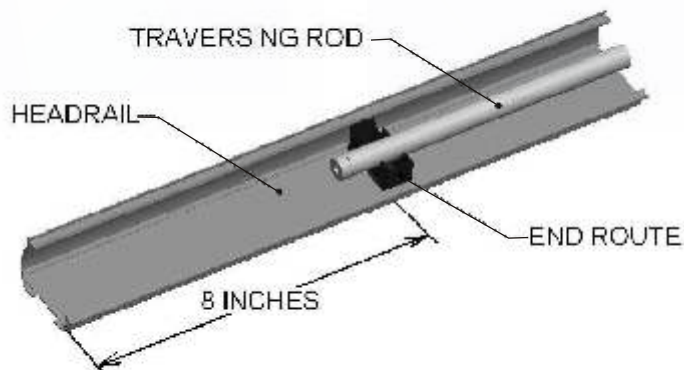
2330152 Headrail Adapter

SYSTEMS COMPONENTS



- 1) Before beginning motor installation, verify that End Route is at least 8 inches in from the headrail end. If end route is less than 8 inches from the end of the Headrail, the motor will not fit completely inside of the shade headrail. See Figure 1.

FIGURE 1.

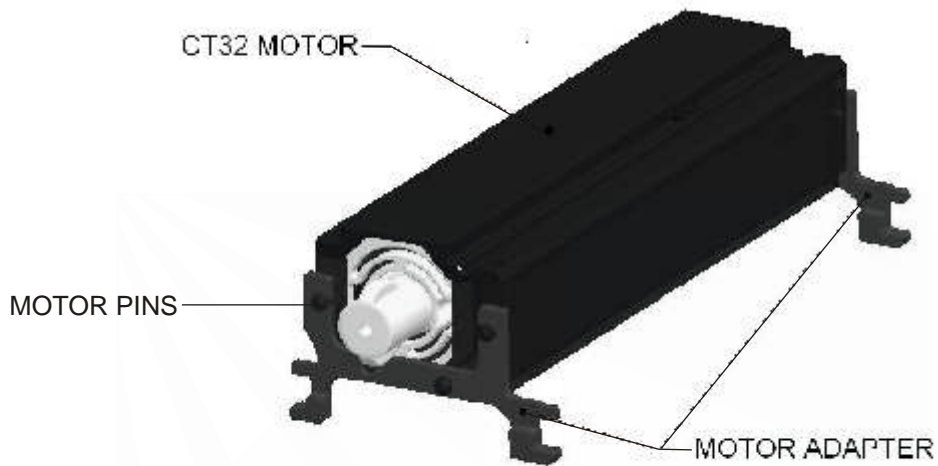


- 2) To begin motor installation procedure, ensure the shade internal drive assembly is as shown in Figure 1. If a manual pull clutch assembly is installed, remove this item and its associated hardware. Save the square drive shaft as it will be used in the motorized assembly

somfy

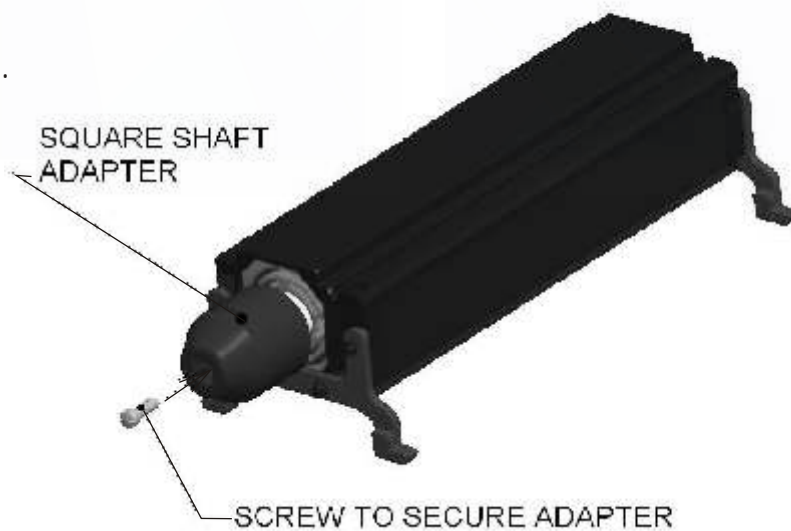
- 3) Attach motor adapters to the CT32 Motor as shown in Figure 2. The motor adapter holes snap onto "Pins" on the CT32 Motor case. Ensure the adapters are oriented as shown so that motor will align with traversing rod.

FIGURE 2.



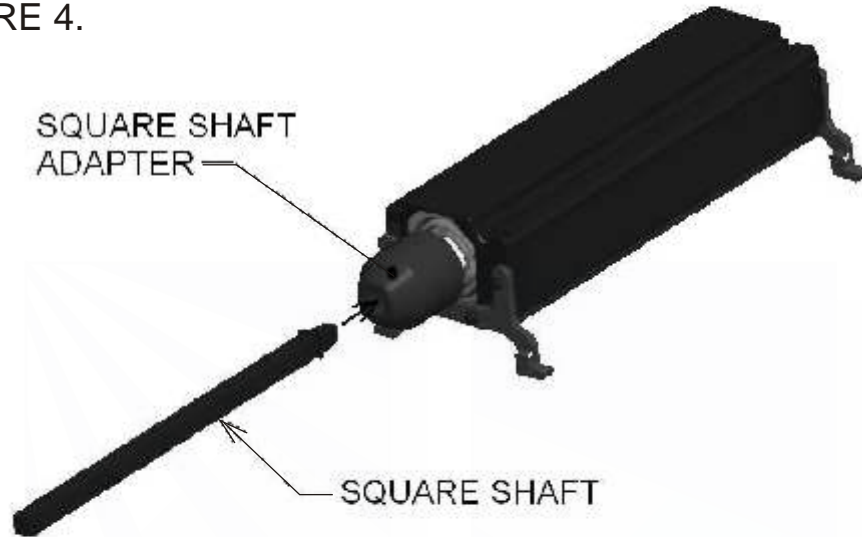
- 4) Snap "square shaft" adapter onto motor drive rod and secure using small screw. See Figure 3.

FIGURE 3.



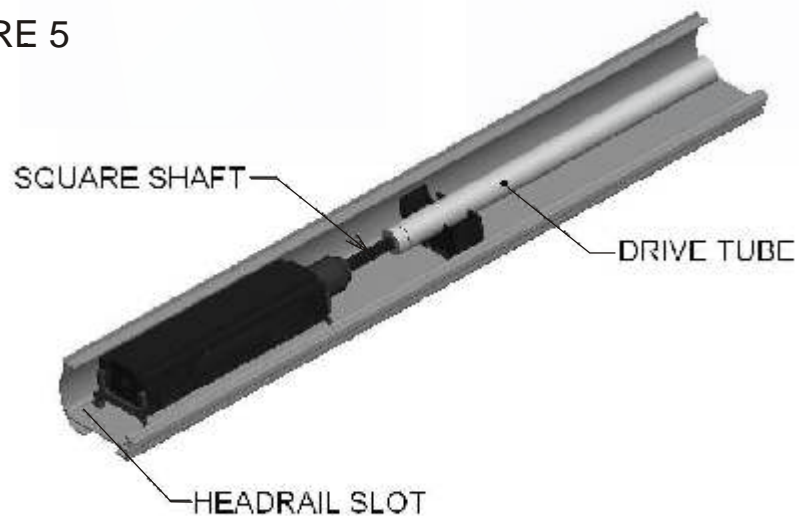
5) Insert the square shaft into the square hole of the square shaft adapter. As shown in Figure 4.

FIGURE 4.

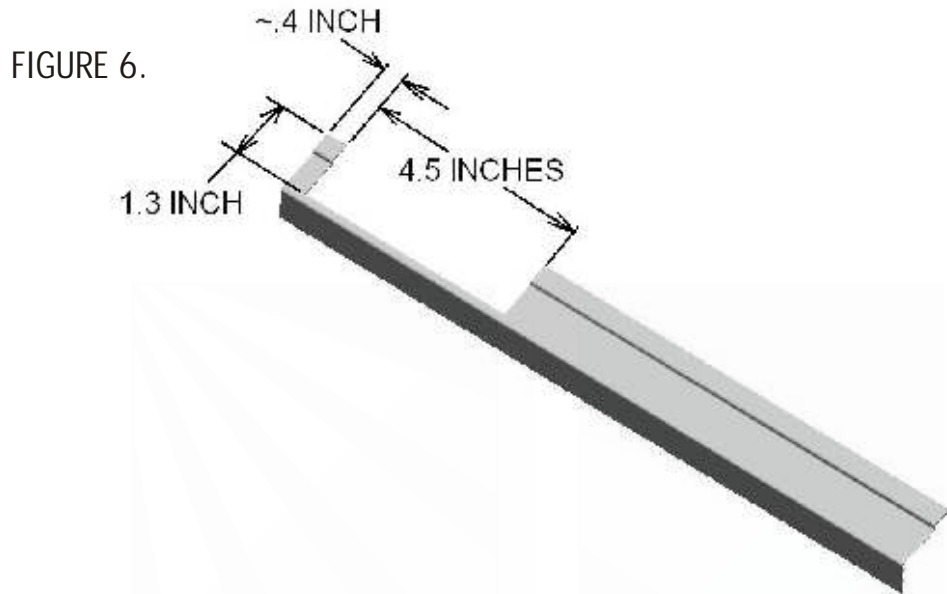


6) Slide motor / adapter assembly into the headrail slot as shown in Figure 5. Align motor assembly square shaft with square hole in the drive tube and insert as shown in Figure 5.

FIGURE 5

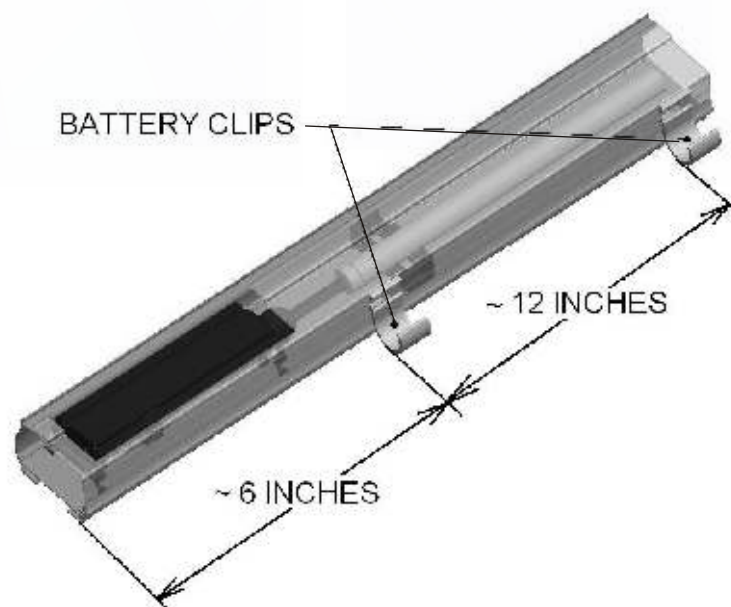


- 7) The cover will need to be modified in order to accommodate the motor. Cut Headrail cover approximately as shown in Figure 6 in order to accommodate the motor profile.



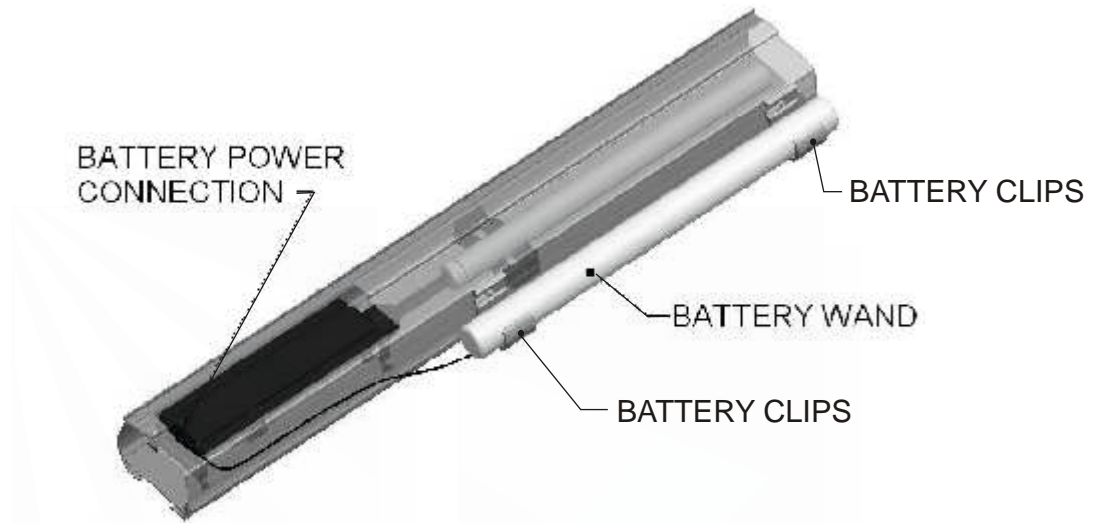
- 8) Install Headrail Cover onto Headrail and trim motor and cutout if needed.
- 9) Attach battery clips to back side of Headrail Cover using double sided attach foam. Ensure that surfaces are clean of oils and residue prior to attaching foam. Use alcohol or glass cleaner if needed to clean surface. Important: Make sure the battery is located in a position that does not interfere with the headrail mounting brackets. See Figure 7.

FIGURE



- 10) Slide battery wand into battery clips as shown in Figure 8. Attach battery power cable to motor. Battery connector is keyed to ensure proper power connection.

Figure 8



- 11) Attach Headrail End Cap as shown in Figure 9. Shade is now ready to be installed programmed for operation.

Figure 9.

