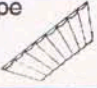







Application Information

Silent Gliss®

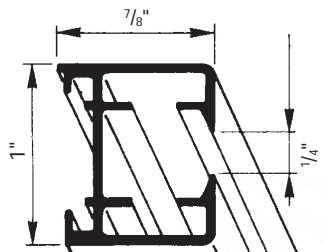
Skylight Shading Systems

	CORD OPERATED		CRANK OPERATED		ELECTRICALLY OPERATED	
	2130 GS	3840 DS	2190 GS	2190 DS	2195 GS	2195 DS
Headrail Profile	2116	3841/2116	2116/2111	2116/2156	2151/4135	2151
Manual Operation - Cord Pull - Crank	●	●	●	●		
Motorized Operation					●	●
Controls - Same as Roller Shades						
Rec. Max System Width - Individual System - Multiple with 1 driver	122 cm (48 in) N/A	150 cm (59 in) N/A	2.5 m (8 ft) 3 m (10 ft)	2.5 m (8 ft) 3 m (10 ft)	3 m (10 ft) 6 m (20ft)	3 m (10 ft) 6 m (20ft)
Rec. Max System Height in m (in ft) - Individual System - Multiple with 1 driver	4.6 m (15 ft) N/A	4.5 m (15 ft) N/A	6 m (20ft) 6 m (20ft)	6 m (20ft) 6 m (20ft)	6 m (20ft) 6 m (20ft)	6 m (20ft) 6 m (20ft)
Rec. Max Surface Area in m ² (in ft ²) - Individual System - Multiple with 1 driver	3 m ² (32ft ²) N/A	12 m ² (129ft ²) N/A	10 m ² (107ft ²) 15 m ² (161ft ²)	10 m ² (107ft ²) 15 m ² (161ft ²)	12 m ² (129ft ²) 36 m ² (387ft ²)	18 m ² (194ft ²) 36 m ² (387ft ²)
Mounting/Side Channels - Inside Mount - Face Mount	6010,6017 1080,6020	3841 3841	6020, 6010,6017 6020	2191 2191	6020, 6010,6017 6020	2191 2191
Skylight Type						
A 	●		●	●	●	●
B 				●		●
C 	●		●	●	●	●
D 				●		●
E 				●		●
F 		●		●		●

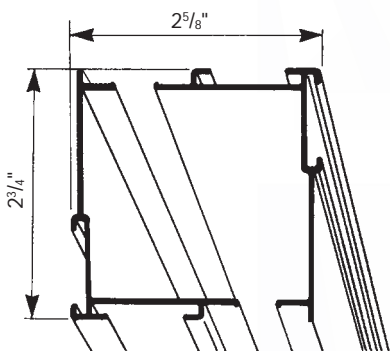
Note: GS= Gravity System - Minimum incline 20"
DS = Drive System

Motorized Skylight Shading System Silent Gliss® 2195

2191 Side guide profile 1:1



2151 Headrail profile 1:2



Product Information

- #2195 is a motorized skylight system for both residential and contract applications
- Systems up to 20' wide x 20' high (see Application Chart)
- Up to 3 systems may be operated with one motor
- Suitable for straight, curved and angled applications
- Unique ability to conceal window mullions
- Usable on cantilevered windows
- 5 Year Warranty

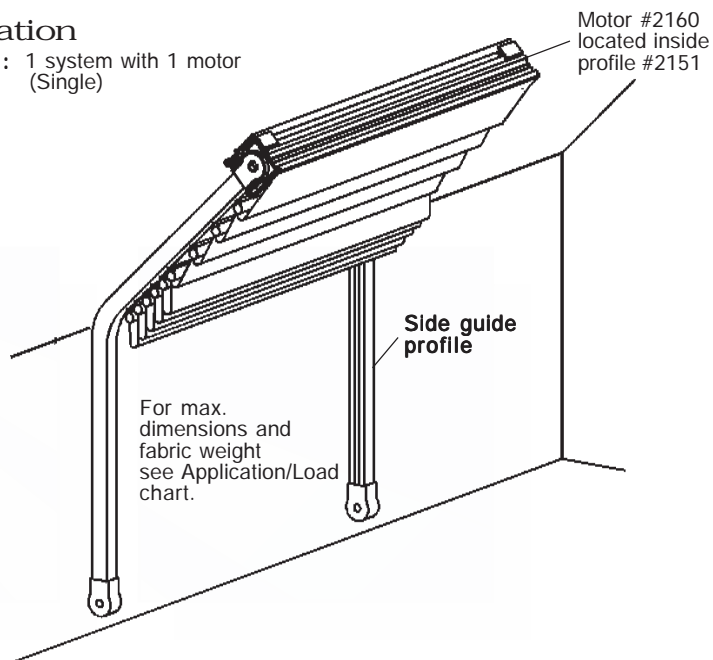


Min. radius R

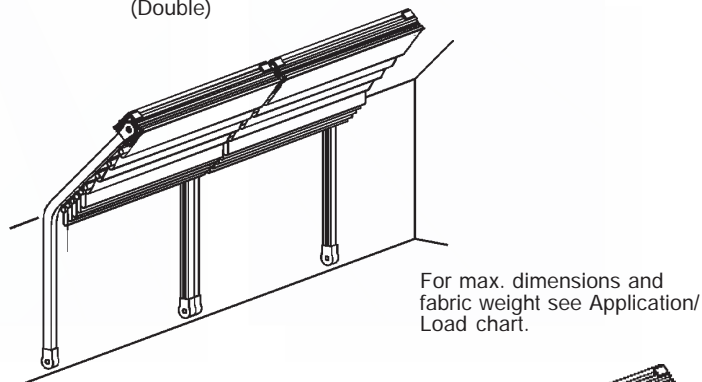
2191 = 8"

Installation

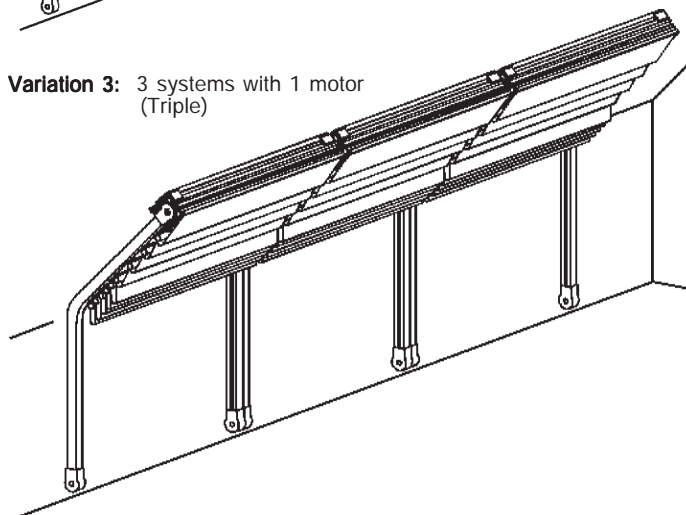
Variation 1: 1 system with 1 motor (Single)



Variation 2: 2 systems with 1 motor (Double)

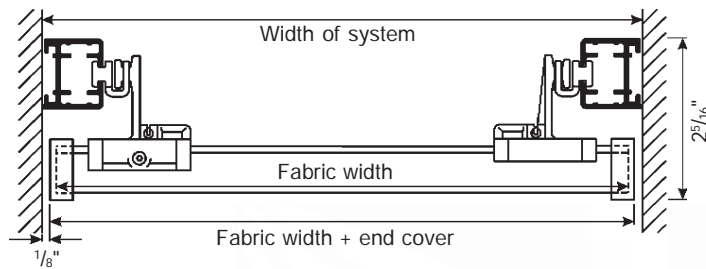


Variation 3: 3 systems with 1 motor (Triple)

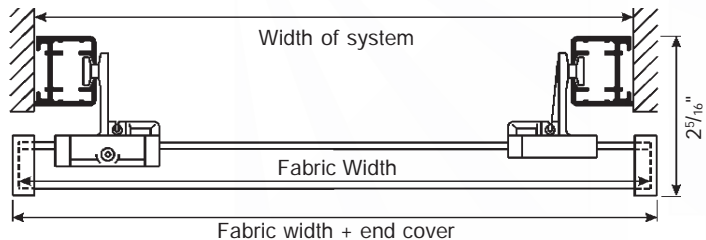


Motorized Skylight Shading System Silent Gliss® 2195

Installation inside mullion



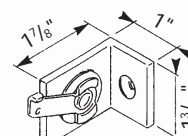
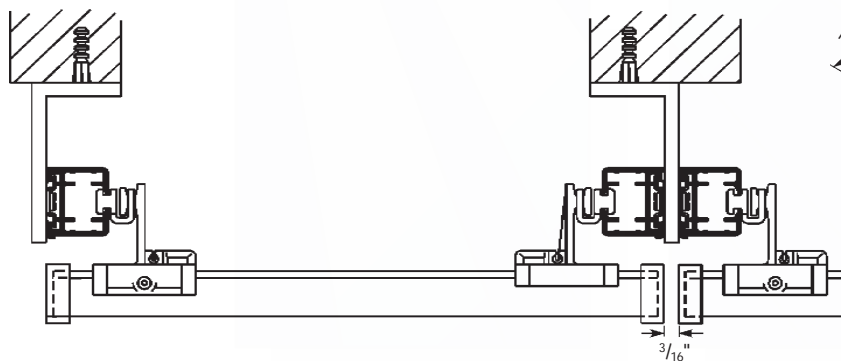
Installation concealing mullion



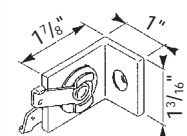
**3825
Swing
Clamp**

Mount with swing clamp #3825.
To be spaced approximately
20-32" o.c.

Installation outside mullion

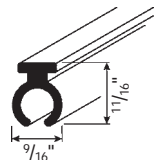


**Angle bracket #3036
with 1 clamp #3825**

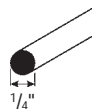


**Angle bracket #3036
with 2 clamps #3825**

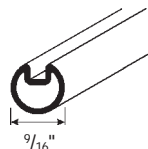
Standard Components



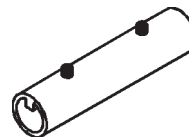
**2231
Cross Member
Profile**



**2246
Profile
for securing fabric**



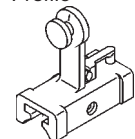
**2156
Drive
Shaft**



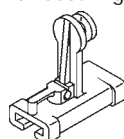
**2242
Shaft
Connector**



**6321
Glider**



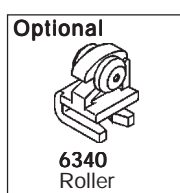
**2235
Cross profile
glider**



**2236
Cross profile
glider**



**2443
Endcover for profile
#2231**



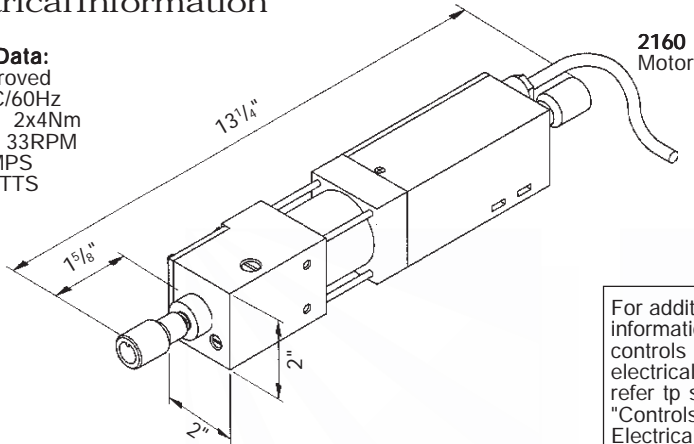
Optional

**6340
Roller**

Motorized Skylight Shading System Silent Gliss® 2195

Electrical Information

Motor Data:
UL approved
110VAC/60Hz
Torque: 2x4Nm
Speed: 33RPM
1.25 AMPS
135 WATTS

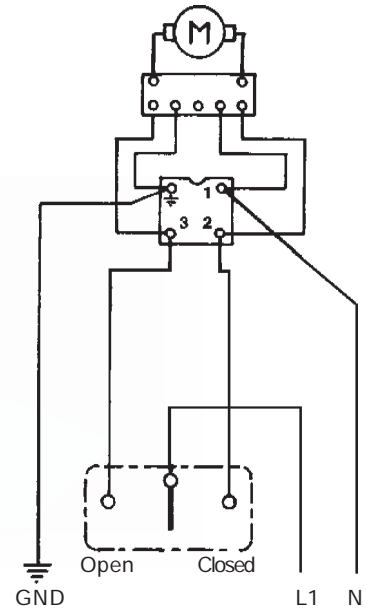


2160 Motor

For additional information on controls and electrical wiring refer to section "Controls and Electrical Data"

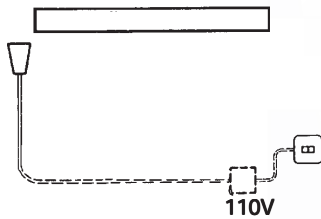
Wiring diagram

(1 Motor from 1 position)

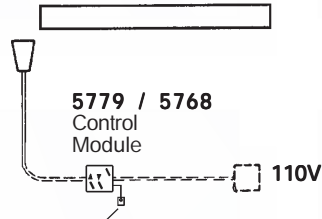


Operating Methods

Wall switch

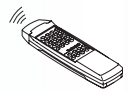


Remote control



Other operating methods on request

5772 Receiving Eye

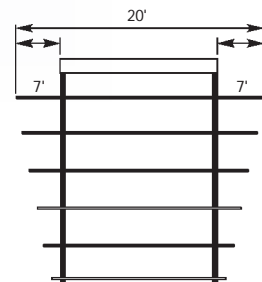


5766 Transmitter

Application/Load Chart

Application	Finish	Max. weight	Width	Drop ft.	Max. surface (ft ²)
—	Single	55 lbs	10'	20'	194 sqft
	Double	55 lbs	17'	20'	323 sqft
	Triple	55 lbs	20'	20'	388 sqft
/ 45°	Single	55 lbs	10'	20'	194 sqft
	Double	55 lbs	17'	20'	323 sqft
	Triple	55 lbs	20'	20'	36 sqft
└	Single	40 lbs	10'	20'	161 sqft
	Double	40 lbs	13'	20'	258 sqft
	Triple	40 lbs	13'	20'	237 sqft
└	Single	40 lbs	10'	20'	161 sqft
	Double	40 lbs	10'	17'	161 sqft
	Triple	40 lbs	10'	17'	129 sqft
	Single	40 lbs	10'	20'	193 sqft
	Double	40 lbs	13'	20'	258 sqft
	Triple	40 lbs	13'	17'	193 sqft
⤿ 2 Anlagen	Single	22 lbs	10'	13'	108 sqft
	Double	22 lbs	10'	13'	129 sqft
	Triple	22 lbs	10'	10'	86 sqft

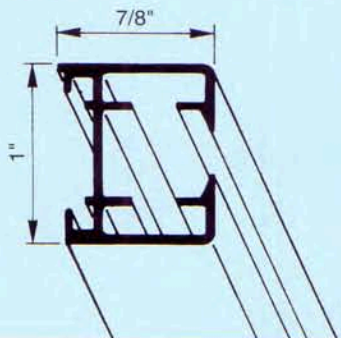
Cantilever version



Crank Operated Skylight System Silent Gliss® 2190

2191

1:1

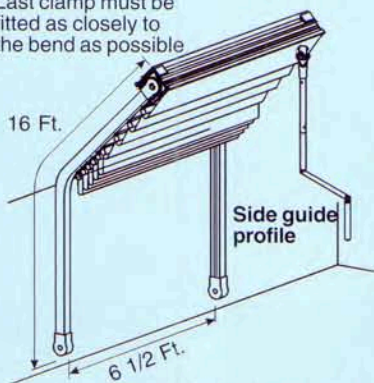


Product information

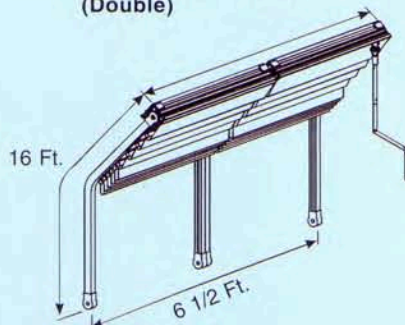
- #2191 is a manually, crank operated skylight shading system for both residential and contract applications.
- Provides interior sun protection, glare control and heat gain management.
- Can be used with sheer, privacy, solar shading, decorative or room darkening fabrics.
- Suitable for vertical glass, horizontal skylight, arched, curved and angled applications.
- Double windows may be operated from a single crank.
- Crank may be detached for security and aesthetics.
- Suitable for system widths up to 78".
- Maximum height or length, depending on the application, is 192".
- Maximum total shade weight per system is 22 lbs.
- 5 Year Warranty.

Installation:

Please note:
Last clamp must be fitted as closely to the bend as possible

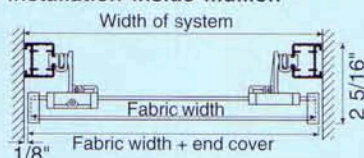


Variation: double system with 1 crank (Double)

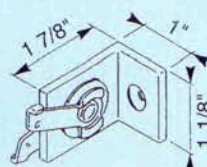
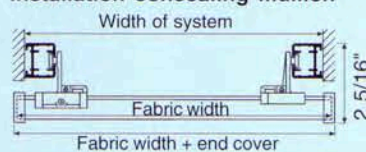


For max. dimensions and fabric weight see weight chart!

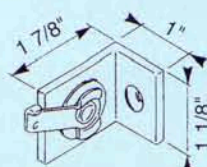
Installation inside mullion



Installation concealing mullion



Angle bracket 3036 with 2 clamps 3825

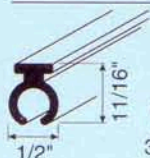


Angle bracket 3036 with 1 clamp 3825



Clamp 3825

Place a clamp every 19"-30"
Clamp 3825



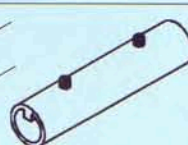
Profile 2231



Profile 2246 for fabric fixing



Profile 2156



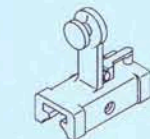
Connector 2242



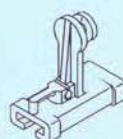
Roller glider 6340



Glider 6321



Cross profile glider 2235



Cross profile glider 2236



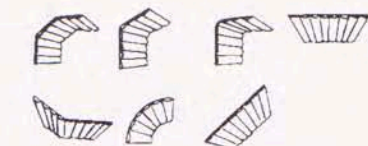
End cover 2243



Detachable hood 2754



Crank 2747



Minimum bending radius R
2191 = 8"



Skylight System Silent Gliss® 3840

Solar Control, LLC | 088-550-4836

Specification guide

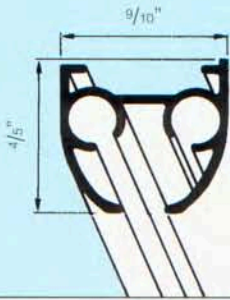
Silent Gliss 3840 curtain track, cord drawn, anodised aluminium, assembled complete with gliders 6146/2507, cord guide return 3803, pilot runners 3842 and cord 3090 (cord drop 4' 11" R.H.S.) Top fix with special fixing clamp 3825/3832 at max. 23 1/2" centre each

screwed to timber/plugged and screwed to blockwork/concrete.

Width.....Length.....
.....Lm.

3841

1:1

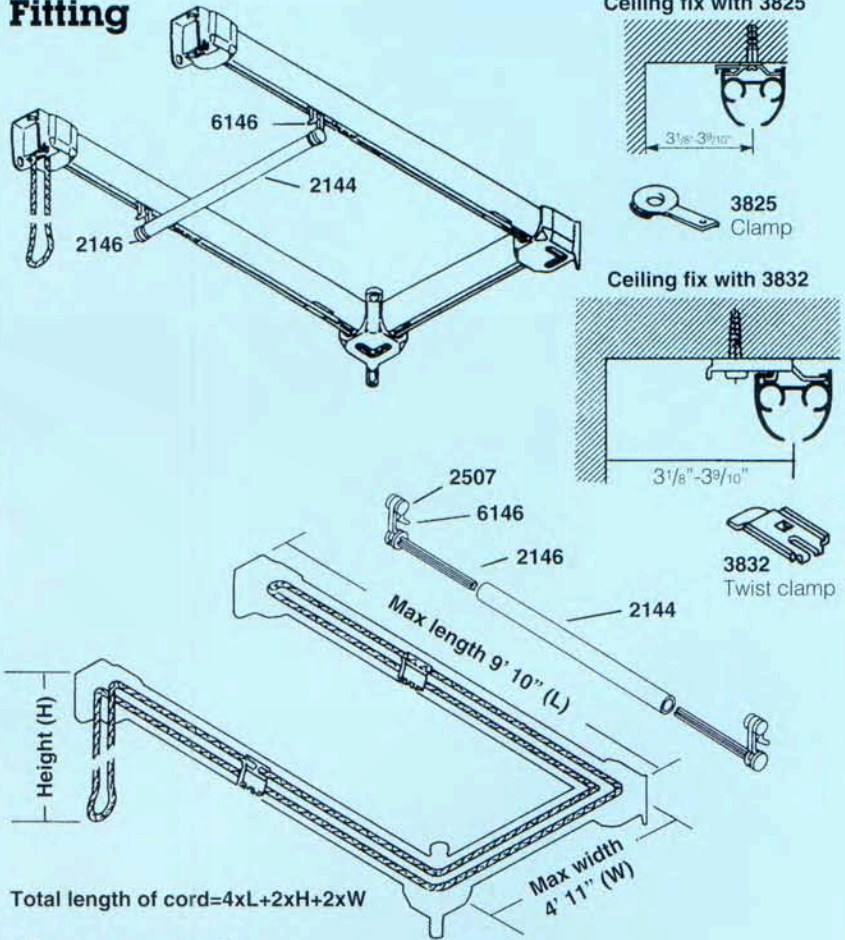


Product Information

(This product is available in component form only for assembly by customer.)

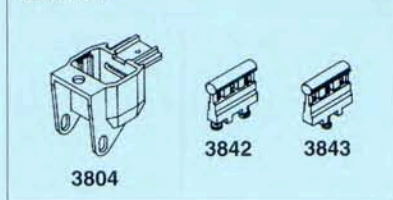
- Cord operated system for horizontal blinds only.
- For blinds up to 9' 10" long, 4' 11" wide and total weight including cross rods of 8 3/4lb.
- 3841 rail in standard colours: silver, white, bronze, gold, black.
- Pleasing Roman Blind effect with Silent Gliss technical or decorative fabrics or customers' own material.

Fitting

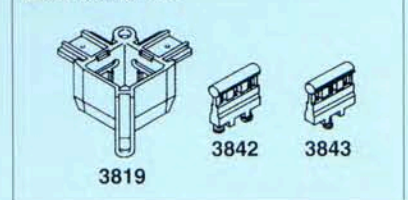


Components

3845 Set



3846 Corner Set



3832 Twist clamp



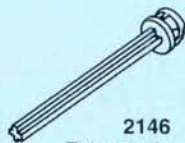
6086 Nylon spring stop



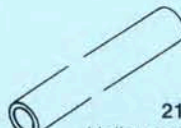
2507 Rollers



3090 Cord



2146 Telescopic glider



2144 Hollow cross rod 8mm dia.



6146 Hook



3825 Clamp

Cannot be bent.