

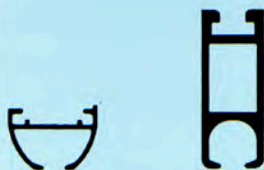
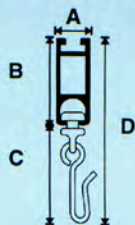
Application Information Silent Gliss® Cubicle and I.V. Track Systems

Product Selector	Standard Cubicle Tracks		Lateral Moving Cubicle			Standard I.V. Tracks
	6010	6100	6100 Type A	6100 Type B	6100 Suspended	6100
Description						
Ceiling Mount						
- Plaster	•		•			
- Concrete	•			•		•
- Dropped Ceiling	•	•		•		
Suspended Mount						
- Plaster		•		•		•
- Concrete		•				•
- Dropped Ceiling		•				•
Standard Radius for Bent Track	30 cm 12"	30 cm 12"				30 cm 12"
Cubicle Gliding Accessories						
- Glider with Nylon Hook #6147N (*)	•	•	•	•	•	
- Glider with Steel Hook #6147S	•	•	•	•	•	
- Roller #6283 w/ Steel Hook #6146S	•	•	•	•	•	
- Roller #6094 w/ stainless steel hook	•	•	•	•	•	
- Cubidrop (46cm/18") #0842 with Glider/Hook combination #6147S / #6147N (*)	•	•	•	•	•	
I.V. Accessories						
- Standard Carrier #0735						•
- Weight Brake Carrier #0736						•
- I.V. Poles (all models)						•

Note: (*) Serves as breakaway system

Profile Dimensions

Note: Profile illustrations are not necessarily to scale. Refer to chart below for dimensions



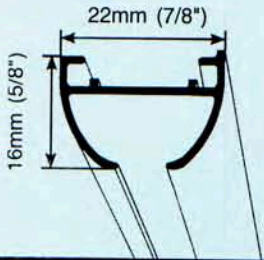
Profile	6010	6101
A Profile Width	22 mm (7/8")	14 mm (9/16")
B Profile Height	16 mm (5/8")	36mm (1 7/16")
C	with Glider and Nylon Hook 6147N with Glider and Steel Hook 6147S with Roller 6283 and Steel Hook 6146S with Roller 6094 c/w Steel Hook	61 mm (2 7/16") 62 mm (2 15/32") 58 mm (2 1/4") 52 mm (2")
D	with Glider 6143 / Nylon Hook 6147N with Glider 6143 / Steel Hook 6147S with Roller 6283 / Steel Hook 6147S with Roller 6094 / Steel Hook 6147S	56 mm (2 7/32") 57 mm (2 1/4") 53 mm (2 1/16") 47 mm (1 7/8")



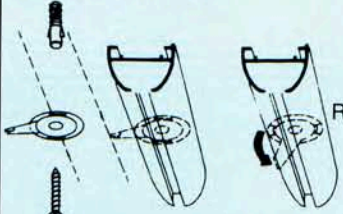
Cubicle Track System Silent Gliss® 6010

6010

1:1



Installation



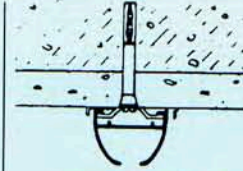
Screw clamps #3825 to ceiling, spaced evenly at approx. 60cm (24") o.c., starting as close to ends as possible.

Fix Track over clamps (R=roomside)

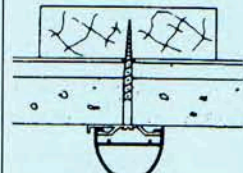
Rotate clamps counter-clockwise to lock track into place



Mounting of connecting bridge #3802.



Ceiling mounted onto plaster and concrete



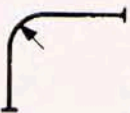
Ceiling mounted onto suspended ceiling using wooden blocking. (Into T-bars: Use self-tapping screws.)



Ceiling mounted onto plaster and metal lath

Product Information

- #6010 is a light weight, yet efficient ceiling mounted cubicle track
- Elegant, aesthetically pleasing look.
- Available with stainless steel hooks or nylon hooks for buttonhole drapes
- Unique break-away system allows separation of hooks from glider when draperies are pulled with excessive force, thus preventing damage to installation or injury to patients
- Since the track is mounted with unique, hidden swing clamps, the curtains glide easily and smoothly without being hindered by screw marks on the glider channel or by screw heads sticking out inside the track
- Due to its oval shape and smooth, light etched anodized surface the track is highly dust resistant
- Equipped with a concave, self-cleaning gliding channel, the track meets the highest hygienic health standards
- Available in standard clear anodized or optional white finish
- Available in lengths up to 730cm (24 feet) to allow for un-bridged installations of most configurations
- Particularly suitable for:
 - Hospitals, Nursing Homes
 - Psychiatric Hospitals
 - First Aid Rooms
 - Doctor's Pratices
 - Shower Curtains
- 5 Year Warranty



Can be curved to a minimum radius of 300mm (12")

Typical Layouts

1 Bed/Room



Type 1



Type 2



Type 3

2 Beds/Room



Type 4



Type 5



Type 6



Type 7

Standard Components



6147N
Glider with Nylon Hook



6053
Springstop



6013
Endstop



3825
Swing Clamp

Optional Components



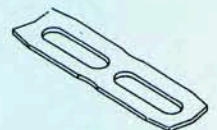
6094
Hook-Roller



6146N
Nylon Hook



6147S
Glider with Stainless Steel Hook



3802
Connecting Bridge



Room Divider/Hospital Cubicle Track/ Shower Rail System Silent Gliss® 6350

Specification guide

Silent Gliss 6100 cubicle track system, anodised aluminium rail type 6101, secured to fittings detailed below by approved local Distributor. Allow for noggins in suspended ceilings/hollow partitions elsewhere in B of Q.

Pre-forming bend in running length 90°/135°

Dust cover 6110 P.V.C. fitted to track.

Nylon glider/hook 6147 fitted to track at 10/metre.

Delrin wall support 6609 twice screwed/plugged and screwed to wall and fitted to track.

Wall bracket 6503/anodised aluminium

50mm wide (two per set), each bracket twice screwed/plugged and screwed to wall and fitted to track.

Delrin end cover 6611 secured to track.

End stop 6007 secured to track.

Connecting bridge 6512, anodised aluminium secured to track.

T-Junction 6514, anodised aluminium secured to track.

Double T-Junction 6525, anodised aluminium

secured to track.

Internal connecting bridge secured to track.

Ceiling fixing plate 6137, anodised aluminium (single), once screwed through ceiling to noggin above (noggin by others)/plugged and screwed and secured to track.

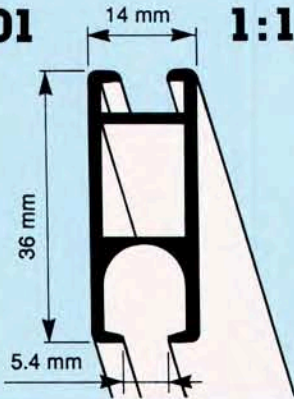
Double ceiling fixing plate 6138, anodised aluminium twice screwed through ceiling to noggin above (noggin by others)/plugged and screwed and secured to track.

6190 Hanger, anodised aluminium assembly

drop.....m once screwed through ceiling to noggin above (noggin by others) plugged and screwed and secured to track.

6501 V-Hanger, anodised aluminium assembly drop.....m twice screwed through ceiling noggins above (noggins by others)/plugged and screwed and secured to track.

6101



Product Information

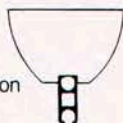
- For nearly 40 years the most widely-used hospital cubicle system in the world. Also used for many varied industrial and commercial applications.
- Attractive profile combines mechanical strength and flexibility with the smoothest performance.
- The design detail gives rigidity and strength with great flexibility in layout whilst achieving a clean unbroken line in hospital wards.
- The top channel maximises connection positions and suspension variations. The dust cover strip reduces the risk of cross infection.
- Standard colour silver.
- Standard lengths in metres: 4.5m, 4.75m, 5.0m, 5.25m, 5.5m, 6.0m, 6.75m, 7.5m. Profile connector available.
- For medium to heavy curtains.
- An exclusive network of skilled Distributors measures, supplies and fixes all hospital contracts in the U.K. and Eire



6109 (not to scale)

An alternative profile to be used for reversible shower rails or uplighter systems (available through Distributors). Standard lengths: 4.75m, 5.25m, 6.0m, 7.5m.

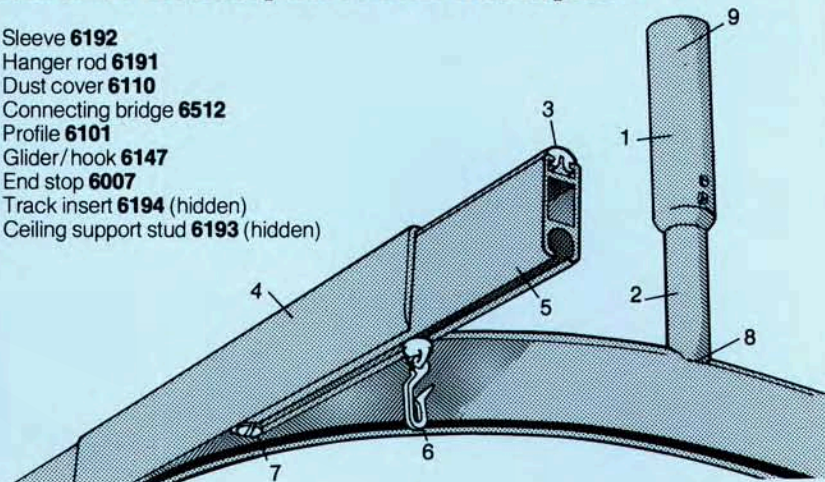
Uplighter application



Can be bent
Min. radius R
6101=150mm

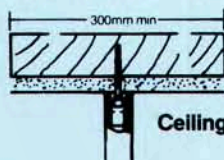
Silent Gliss 6100 hospital cubicle track system

1. Sleeve **6192**
2. Hanger rod **6191**
3. Dust cover **6110**
4. Connecting bridge **6512**
5. Profile **6101**
6. Glider/hook **6147**
7. End stop **6007**
8. Track insert **6194** (hidden)
9. Ceiling support stud **6193** (hidden)



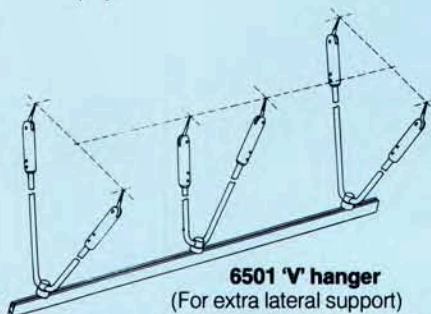
Fitting and Fixing

Normally ceiling and wall fixed
on suspended hangers

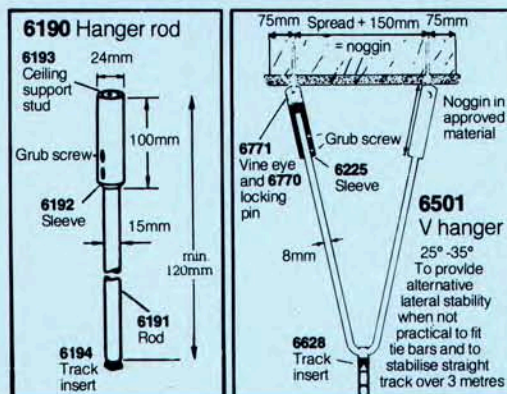


6190 hanger rod
(where lateral support exists)

Ceiling suspension by hanger rods



6501 'V' hanger
(For extra lateral support)

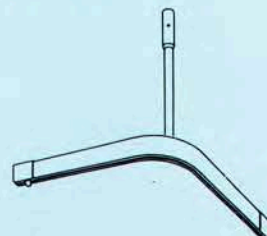


Site preparation

Noggins in suspended ceilings

At each hanger position a noggin in approved material should be provided by others above the suspended ceiling as detailed; underside to rest on top of ceiling (but independently supported) with a minimum length of 300mm at right angles to the track in which the hanger occurs to give fixing tolerance. For optimum appearance and efficiency it is preferred that the hangers should be on the return track but an adequate support would be provided should it be more convenient for them to be on the front track.

More detailed information together with the requirements in hollow partitions are shown on a separate data sheet available on request.



Recommended height from
finished floor level to
the underside of track
is 2100mm

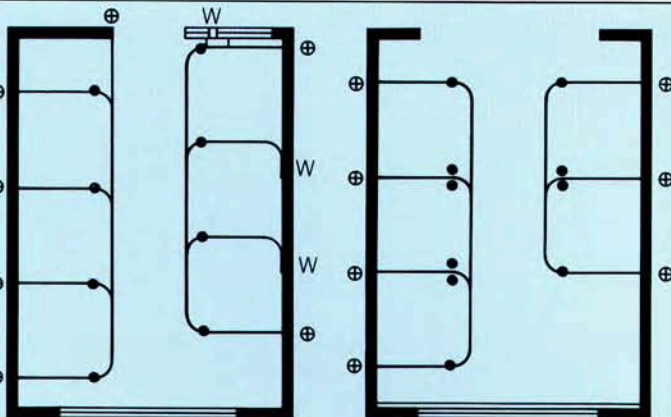
Room Divider/Hospital Cubicle Track/Shower Rail System Silent Gliss® 6100

Typical layouts for hospitals, clinics, etc.

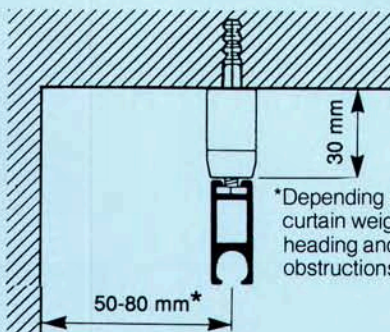
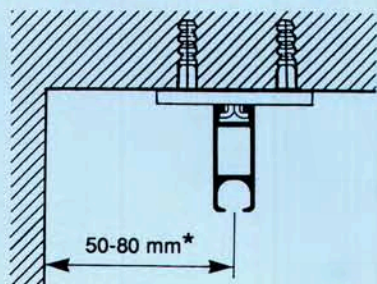
Lateral stability in any cubicle layout is essential to prevent weakening of the wall and ceiling fixtures by lateral movement. Where it is not practical to fit tie bars etc., stability may be obtained by the incorporation of 'V' hangers to the ceiling as shown.

Typical methods of obtaining stability by attaching cubicles to corridor (or window) wall.

- = 6190 hanger rod
- = 6501 V hanger
- ⊕ = 6069 wall support
- W = 6503 wall bracket



Ceiling fix — on or close to ceiling



*Depending on curtain weight, heading and any obstructions.

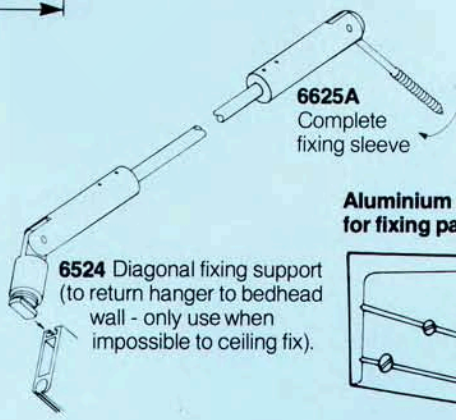
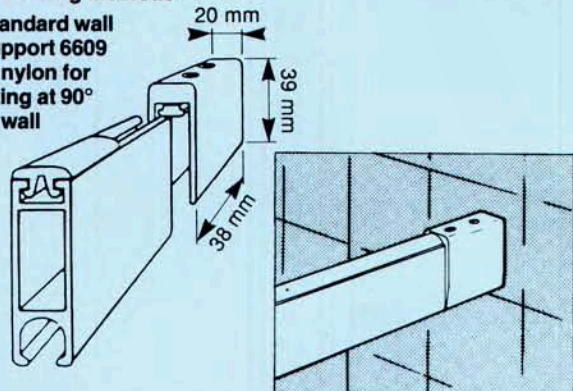
16 mm



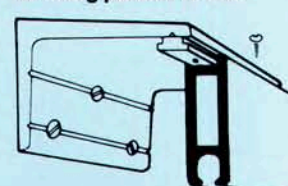
6175
Mini hanger

Wall fixing methods

Standard wall support 6609 in nylon for fixing at 90° to wall



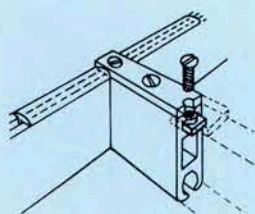
Aluminium wall bracket 6503 for fixing parallel to wall



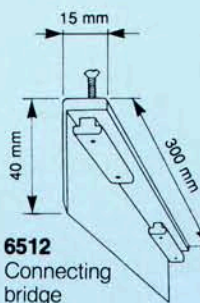
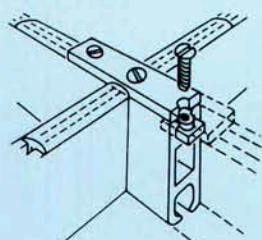
Accessories

T-Junctions (join lengths at 90°)

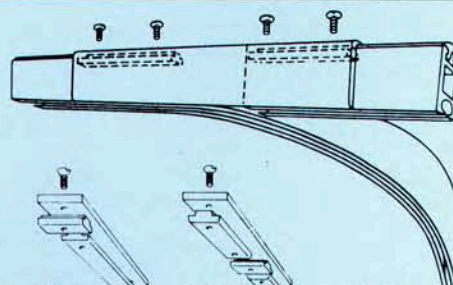
6514 Single



6525 Double



6512
Connecting bridge



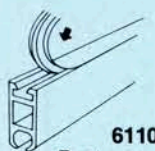
6514
T-Junction single

6525
T-Junction double

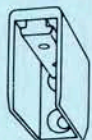
6512
Connecting bridge

Room Divider/Hospital Cubicle Track/Shower Rail System Silent Gliss® 6100

Accessories (cont'd)



6110
Dust cover



6609
Wall support



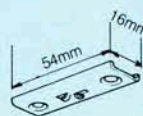
6611
End cover



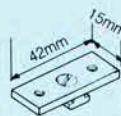
6160/62
Special pressure track insert



6137
Ceiling fixing plate - single



6124
Twist-to-lock double fixing plate



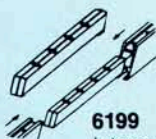
6138 Ceiling fixing plate - double



6065
Twist eye end stop



6007
Endstop



6199
Internal connecting bridge



6098
Roller glider with eye

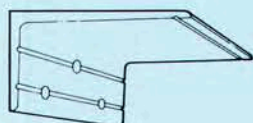


6094
Roller glider with hook



6283
Roller glider

6503
Wall bracket



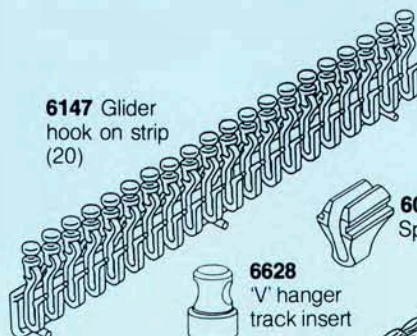
Width x Projection mm
25x50
50x50
50x100
100x50
200x50
100x100
75x150

6193 Ceiling support stud



6194 Track insert

6147 Glider hook on strip (20)



6083 Glider (supplied in strip form **6096** for easier assembly)



6086 Spring stop



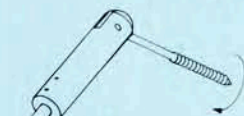
6628 'V' hanger track insert



6192 Sleeve



6187 Dummy ceiling support sleeve (to mask holes in suspended ceiling)



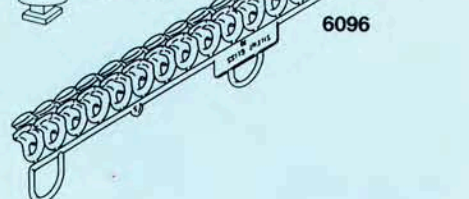
6625A Fixing sleeve complete for 'V' hanger/diagonal support



6143 Glider only



6146 Nylon hook



Curtain hanging aids

Whilst the benefits of additional privacy in hospital wards are unquestioned, maintaining clean curtains is a major headache. Silent Gliss have developed a system which greatly assists curtain maintenance.

Curtain loading device

Designed to simplify the hanging and removal of cubicle curtains by allowing the curtains to be attached to the gliders at a convenient lower level and then transferred to the cubicle track by means of the loading device. The system comprises:

1 Access rail

A 150mm removable section of matching track incorporated into the cubicle.

2 Transfer device

The transfer device fits into the cubicle after removal of the access rail and allows either pre-loaded curtains to be run into the cubicle or existing curtains to be removed.

