

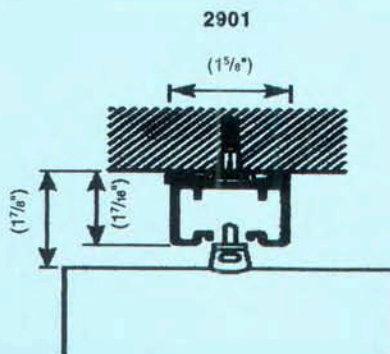
Application Information

Silent Gliss®

Vertical Blind Systems

Product Selector		System	
		2900	2950
Description			
Application	Profile		
	Manual Operation - Crank	●	
	Motorized Operation - Low Voltage / 110V Switching		●
	- Infrared Remote		●
	- Direct Interfacing		●
	Maximum System Width		
	┌──────────┐ Fabric	275" (699cm)	275" (699cm)
	┌──────────┐ Flat PVC	275" (699cm)	275" (699cm)
	┌──────────┐ Fabric	240" (610cm)	240" (610cm)
	┌──────────┐ Flat PVC	240" (610cm)	240" (610cm)
	┌──────────┐ Fabric	240" (610cm)	240" (610cm)
	┌──────────┐ Flat PVC	240" (610cm)	240" (610cm)
	Max. Recommended Louver Height (3 1/2")		
	- with Fabric	288" (732cm)	288" (732cm)
- with PVC	288" (488cm)	288" (488cm)	
Louver Widths			
- 3 1/2" (89mm)	●	●	
- 5" (127mm)	●	●	
Recommended Louver Type			
- Fabric	●	●	
- PVC Flat	●	●	
- Sloped/Cathedral Application	●	●	
Installation	Mounting		
	- Ceiling	●	●
	- Wall	●	●
	- Recessed	●	●
1) Application for 3 1/2" Fabric louvers; split draw. For other louver widths and PVC louvers, contact Silent Gliss.			
2) Based on Colorama 2 fabric and Flat PVC.			

Profile Dimensions

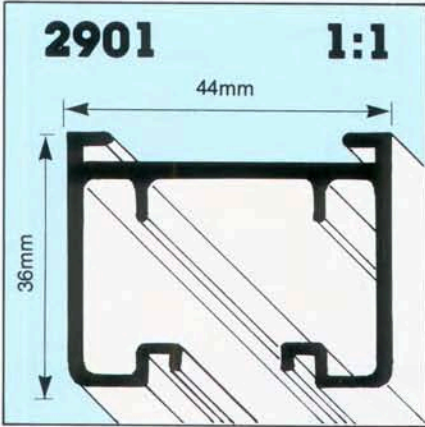


Vertical Blind System Silent Gliss® 2900

Specification guide

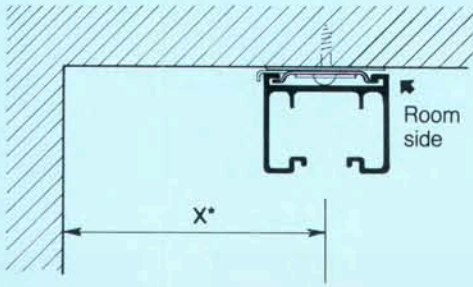
Silent Gliss 2900 mono control vertical blind system. Aluminium profile assembled with internal drive belt 2912, rotation elements to suitmm louvres and with detachable

crank handle. Louvres to be chosen from Silent Gliss range price group 1/2/3. Track top fixed with clamps 3033/face fixed with extension brackets 3239

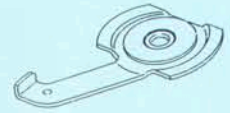


Fitting

Ceiling fixing



Standard



3033
Clamp

X Min. distance from wall

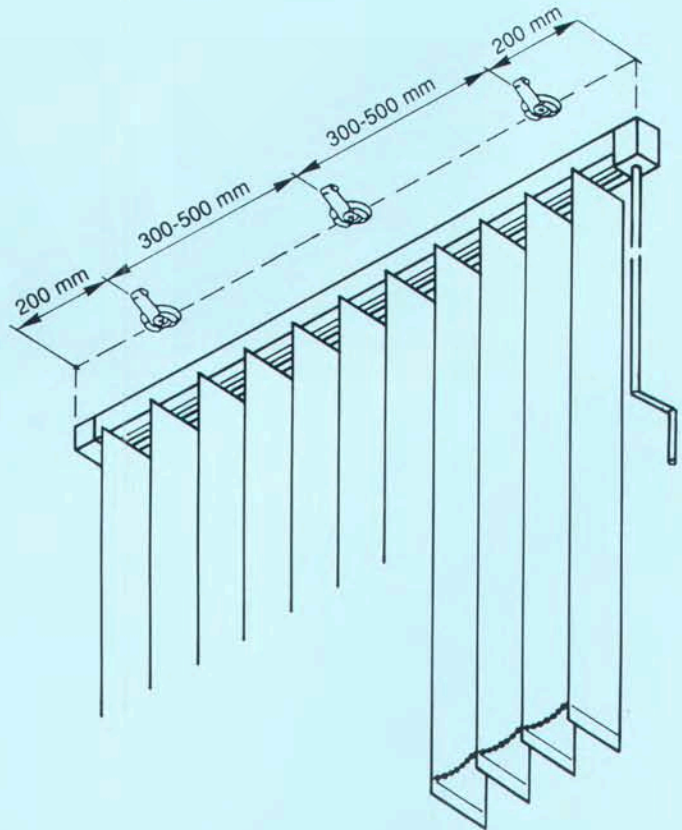
89mm louvres = 65mm*
127mm louvres = 85mm*

Product Information

- Mono control hand operation, purpose-designed for curved and sloping installations.
- The only vertical blind system in the world which can be bent to a tight radius, thanks to the unique belt operation.
- One robust detachable operating handle is used to both open and close and to tilt the strips.
- Systems up to 6m in length, (min. 110cm – pair stack; min. 50cm – single stack).
- Can be safely used with heavy louvres such as PVC and aluminium.
- Single or multiple stacking or unequal stacks possible.
- Can also be used for sloping windows.
- Ceiling fix recommended but can be wall fixed with extension bracket.
- Headrail available in silver or white.



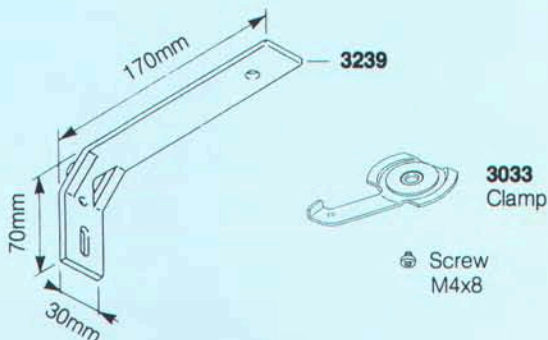
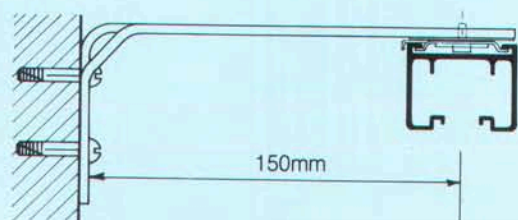
Can be bent.
Min. radius R
2901 = 500 mm



Vertical Blind System Silent Gliss® 2900

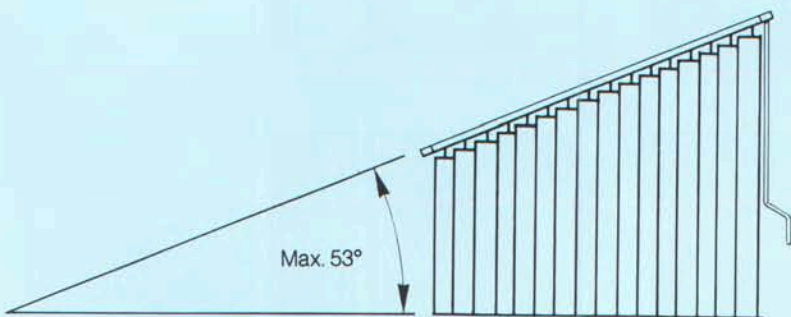
Wall fixing

Metal extension bracket 3239

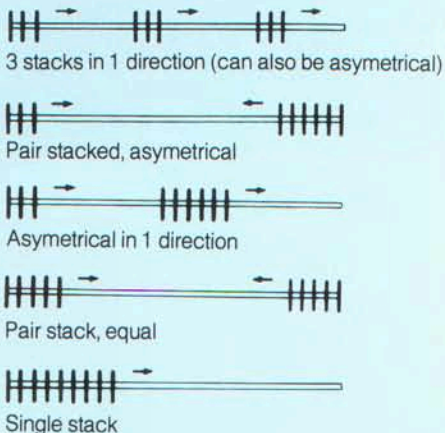


Sloping windows

Special longer-necked rotation elements are used



Stacking



- The maximum slope is 45° (5"/127mm width of blinds) or 53° respectively (3.5"/89mm width of blinds).
- The maximum weight per blind is 280gr. (incl. weight plate).
- The maximum weight of blinds is between 3.9Kg and 16Kg (depending on the angle of the system).

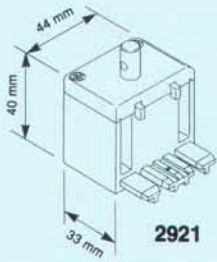
Maximum weight of blinds in relation to the angle of the system			
Angle of the system in degrees	Max. weight of blinds in kg	Angle of the system in degrees	Max. weight of blinds in kg
2	16,000	28	6,603
4	16,000	30	6,200
6	16,000	32	5,850
8	16,000	36	5,274
10	16,000	36	5,274
12	14,910	38	5,035
14	12,814	40	4,823
16	11,247	42	4,633
18	10,032	44	4,463
20	9,064	46	4,310
22	8,275	48	4,171
24	7,622	50	4,047
26	7,072	52	3,934



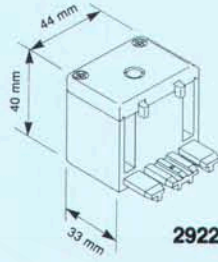
Vertical Blind System Silent Gliss® 2900

Standard accessories

Set 2920



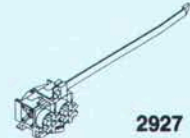
2921



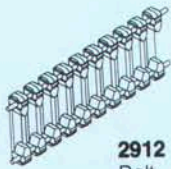
2922



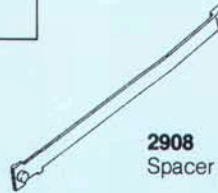
3033
Clamp



2927
Pilot runner



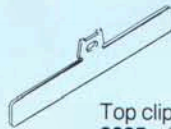
2912
Belt



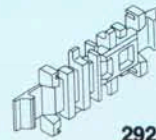
2908
Spacer tail



Bottom link cord
2479 - 127mm
2481 - 89mm



Top clip
2605 - 127mm
2813 - 89mm



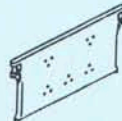
2925
Belt connector



2824
Endstop



2746
Detachable
umbrella crank

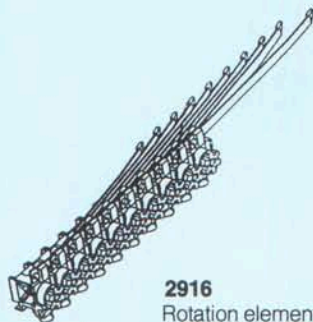


Bottom weight
2471 - 127mm
2473 - 89mm

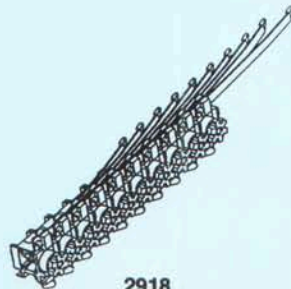


2849
PVC top
clip

Optional accessories



2916
Rotation elements
(127mm louvers)



2918
Rotation elements
(89mm louvers)



2747
Crank
handle
(fixed)

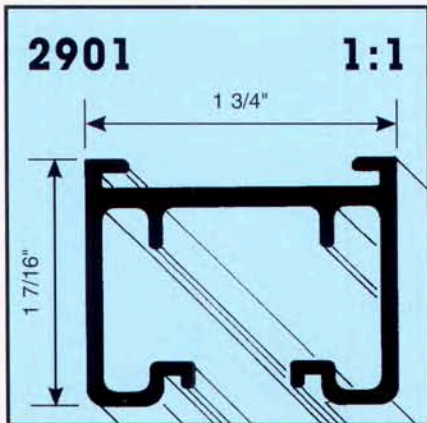


3239
Extension
bracket



6952
Magnetic
handle holder

Motorized Vertical Blind System Silent Gliss® 2950



Product Information

- #2950 is a motorized vertical blind system suitable for straight, curved or sloping applications
- Mono control, one motor controls both rotating and traversing functions
- Single, multiple or asymmetrical stacking
- Reliable, heavy duty belt driven operation
- Electronic motor with built-in low voltage switching capabilities and thermal overload protection
- Built-in low voltage interface allows direct access to all automated control systems
- Optional motors with built-in BUS technology (see section Controls and Electrical Data)
- Optional Infrared Remote Control (see section Controls and Electrical Data)
- System limits may be set from either switch locations or remote transmitter and are protected during power failure
- System lengths up to 23 ft.
- For 3 1/2" and 5" louvers
- Wall or ceiling mounted (For recessed installations consult Silent Gliss)
- Ideal for homes, offices, hotels, hospitals and churches
- Available in standard clear anodized or optional white painted finish
- 5 Year Warranty

Can be bent
Min. radius R
2901 = 500mm (20")

System Configurations and Maximum System Lengths

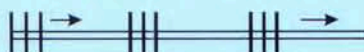
		Louver Width	Max Amount Of Louvers	Max System Length
3Nm Motor		5"	69	275"
		3 1/2"	92	275"
		5"	60	240"
		3 1/2"	80	240"
		5"	60	240"
		3 1/2"	80	240"
		5"	50	196"
		3 1/2"	65	196"
1.5Nm Motor		5"	60	240"
		3 1/2"	60	180"

Maximum weight of blinds in relation to the angle of the system

Angle of the system in degrees	Max. total weight of all louvers	Angle of the system in degrees	Max. total weight of all louvers
2	35.3	28	14.5
4	35.3	30	13.7
6	35.3	32	12.8
8	35.3	36	11.5
10	35.3	36	11.5
12	32.8	38	11
14	28.2	40	10.5
16	24.7	42	10.1
18	22	44	9.7
20	19.8	46	9.5
22	18.7	48	9
24	16.8	50	8.8
26	15.4	52	8.6



Stacking Possibilities



3 stacks in one direction (can also be asymmetrical)



Asymmetrical in one direction



Pair stack, asymmetrical



Pair stack, equal



Single stack

* For sloping windows single stack only possible

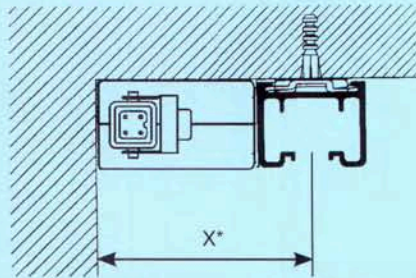


2950

Motorized Vertical Blind System Silent Gliss® 2950

Installation

Ceiling Mount

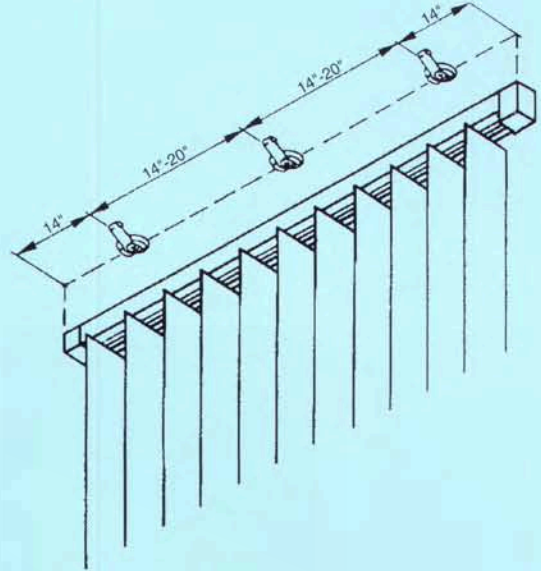


Clamp #3033 spaced approximately 14-20" o.c.

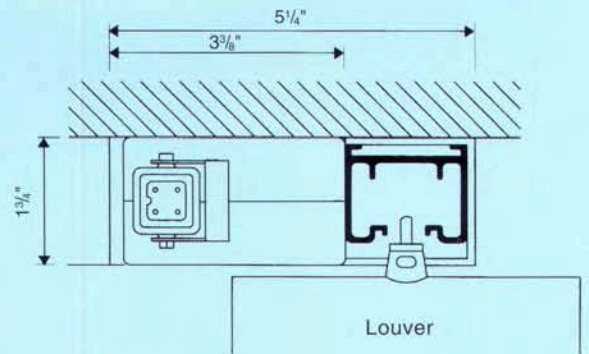
Min. distance from wall = X

3.5 in. louvers = 4³/₄"**

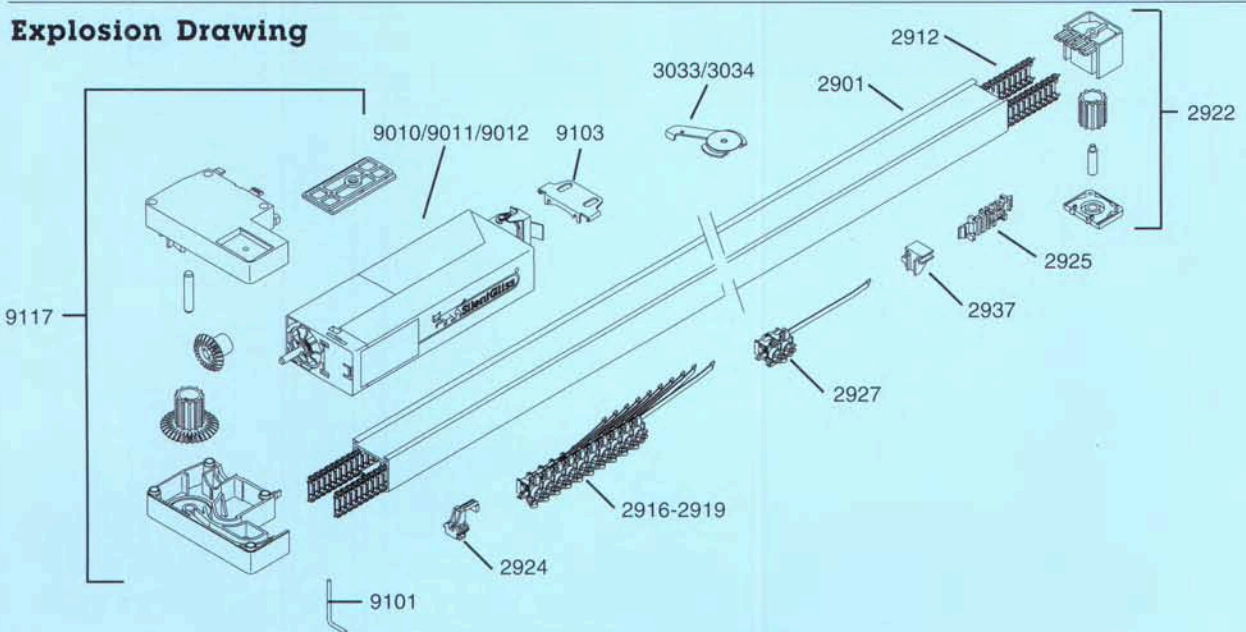
5 in louvers = 4³/₄"**



Wall Mount

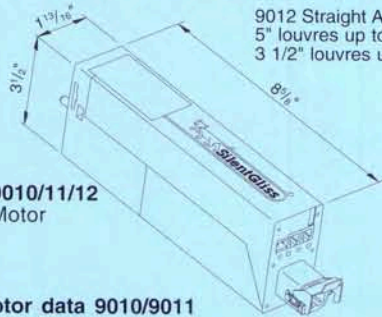


Explosion Drawing



Motorized Vertical Blind System Silent Gliss® 2950

Electrical Information



9010/11/12
Motor

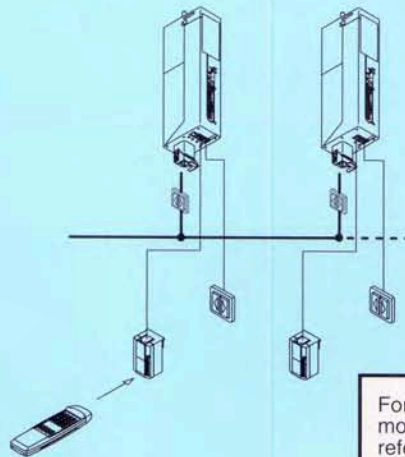
Motor data 9010/9011
UL approved
Interference-free electronic motor
Thermal Overload Protection
Speed: 15cm/sec (6"/sec)
115V/60Hz/140W/1.20Amp (3Nm)

(Export Version)
230V/50Hz/120w/1.20Amp (3Nm)

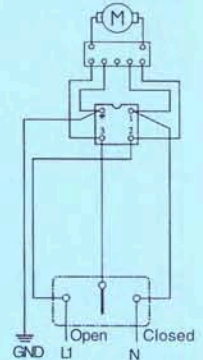
Motor data 9012
UL approved
Interference-free electronic motor
Thermal Overload Protection
Speed: 15cm/sec (6"/sec)
115V/60Hz/90W/0.95Amp (1.5Nm)

Operating Methods

Combination of IR-Eye / transmitter /
wall switch / multiple motors



Wiring Diagram

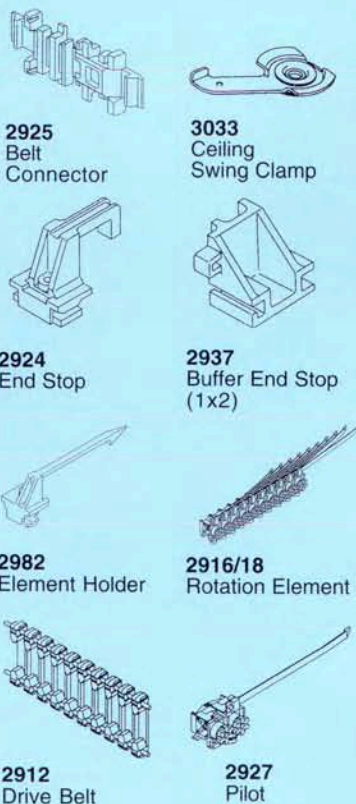
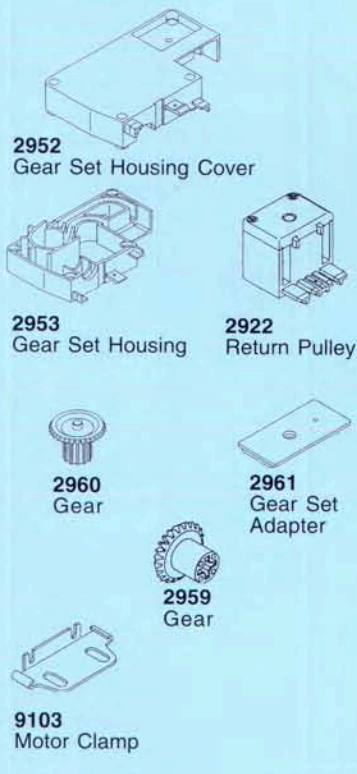


For additional
motor options
refer to section
"Controls and
Electrical Data"

For additional
information on
controls and
electrical wiring
refer to section
"Controls and
Electrical Data".

Standard Components

9117 Gear Set



Optional Components

