

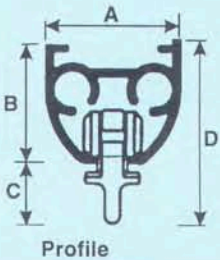
Application Information

Silent Gliss® Cord Operated Drapery Track Systems

Product Selector				Application							Installation		Window Type	
				Max. Length	Weight (Lbs./Maximum Extension)	Pinch-Point	S/Z Fold	Box-Fleat	Wall	Ceiling	Recessed	Suspended	Bay/Bow	Custom Curve
System	Description													
3840	Light to medium duty, cord operated drapery track system for both straight and curved applications. Small, attractive profile is ideal for use where the track is exposed.	6 m 20 ft	L, M	•	•	•	•	•	•	•	•	•	•	3841
3900	Medium duty, cord operated drapery track system for both straight and curved applications. Features offset roller carriers which allow pleats to hang straight, hide track and reduce friction.	12 m 40 ft	M	•	•	•	•	•	•	•	•	•	•	3982
6200	Heavy duty, cord operated drapery track system for both straight and curved applications. Attractive, rounded profile is ideal for use where the track is exposed, i.e. large room or ball room dividers.	25 m 80 ft	H	•	•	•	•	•	•	•	•	•	•	6210
6350	Medium to heavy duty, cord operated drapery track system for both straight and curved applications. Ideal for large contract requirements, schools, churches or suspended applications.	9 m 30 ft	M, H	•	•	•	•	•	•	•	•	•	•	6351
6370	Heavy duty, cord operated drapery track system for both straight and curved applications. Ideal for stages because dual channels allow unlimited overlap.	15 m 50 ft	H	•	•	•	•	•	•	•	•	•	•	6371
5850	Extra heavy duty, cord operated drapery track system for both straight and curved applications. Ideal for very long track requirements on stages and in auditoriums.	30 m 100 ft	H	•	•	•	•	•	•	•	•	•	•	5810

Profile Dimensions

Note: Profile illustrations are not necessarily to scale. Refer to chart below for dimensions.



Profile

3841

3982

6210

6351

6371

5810

	A	B	C	D
A Profile Width	22mm (7/8")	21mm (15/16")	38mm (1 1/2")	21mm (15/16")
B Profile Height	21mm (15/16")	23mm (15/16")	32mm (1 1/4")	28mm (1 1/8")
C				
with Glider 6083	10mm (3/8")			
with Roller 6283	10mm (3/8")		10mm (3/8")	10mm (3/8")
with Roller 6098	29mm (1 3/16")		29mm (1 5/32")	29mm (1 3/16")
with Roller 6094	32mm (1 1/4")		32mm (1 1/4")	32mm (1 1/4")
with Roller 3911		10mm (3/8")		
with Roller 5201			15mm (5/8")	
with Roller 5809				15mm (5/8")
*with S/Z Fold Roller 6331/35	25mm (1")		25mm (1")	25mm (1")
D				
with Glider 6083	31mm (1 1/4")			
with Roller 6283	31mm (1 1/4")		42mm (1 11/16")	38mm (1 1/2")
with Roller 6098	50mm (2")		61mm (2 7/16")	57mm (2 1/4")
with Roller 6094	53mm (2 1/8")		64mm (2 9/16")	60mm (2 3/8")
with Roller 3911		33mm (1 5/16")		
with Roller 5201			47mm (1 7/8")	
with Roller 5809				39mm (1 9/16")
*with S/Z Fold Roller 6331/35	46mm (1 13/16")	53mm (2 1/8")	57mm (2 1/4")	49mm (1 15/16")

*Note: Dimensions indicate center of snap

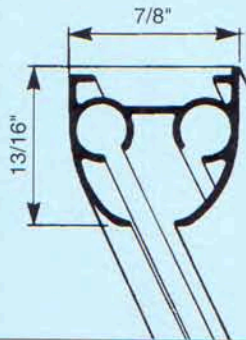


Cord Operated Curtain Track System

Silent Gliss® 3840

3841

1:1



Product Information

- #3840 is a light to medium duty, cord operated drapery track system for both residential and contract applications.
- Accommodates Pinch Pleat, S-fold or Z-fold drapery headings (see section "appendix" for additional S/Z fold information).
- Enclosed cord channels ensure that the system cord cannot slip out of track channel.
- System can be curved or bent on both inside and outside radii.
- Aesthetically pleasing, small rounded profile.
- Available in standard clear anodized aluminum finish or optional white powder coated finish.
- System lengths to 240".
- Maximum drapery weight per system: 31 lbs.
- 5 Year Warranty.

Minimum Radius
3841 = 8"

Max. Curtain Weight/Glider 6096/6083

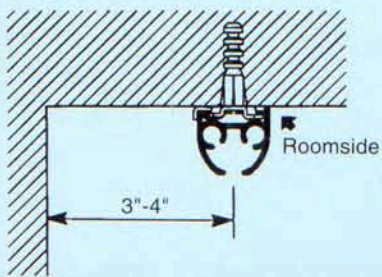
	3.25 feet	6.5 feet	10 feet	13 feet	16.5 feet	19.5 feet
→	20	20	18	18	15	15
→	22	22	20	20	18	18
↘	15	15	13	13	11	11
↘	18	18	15	15	13	13
↙	9	9	7	7	5	5
↙	11	11	9	9	7	7

Max. Curtain Weight/Glider 6283

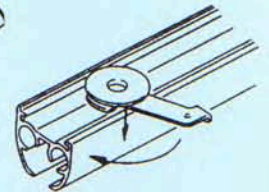
	3.25 feet	6.5 feet	10 feet	13 feet	16.5 feet	19.5 feet
→	26	26	24	24	22	22
→	31	31	29	29	26	26
↘	20	20	18	18	15	15
↘	22	22	20	20	18	18
↙	13	13	11	11	9	9
↙	15	15	13	13	11	11

Installation

Ceiling Mount with 3825 bracket

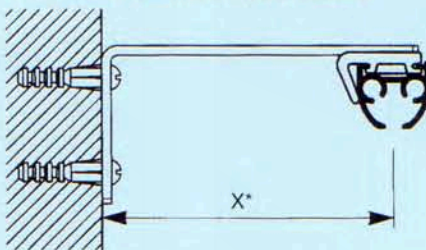


3825 Swing Clamp



Space Swing Clamps
Approx. 12-24" o.c.

Wall Mount with 3135/3136 bracket



3135/3136 Bracket



3826 Nylon Clamp

Bracket	X
3135	2 1/2"
3136	3 1/4"

Standard Accessories



6283 Roller



3090 Cord



6086 Spring Stop



3825 Clamp



6063 Overlap

3845 Set



3804 (1 Pair)



3842/3 (1 Each)

Optional Accessories



3582 Hook



3599 Hook



6098 Roller



6094 Roller With Hook



3802 Connecting Bridge



3571 Hook



6053 Spring Stop



3020 Metal Hook



6007 Endstop

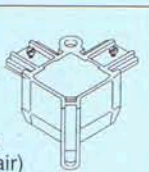


3832 Clamp



3724 Cord Weight Holder

3846 Set



3816 (1 Pair)



3826 Nylon Support



3040 Cord Weight



3723 Cord Weight

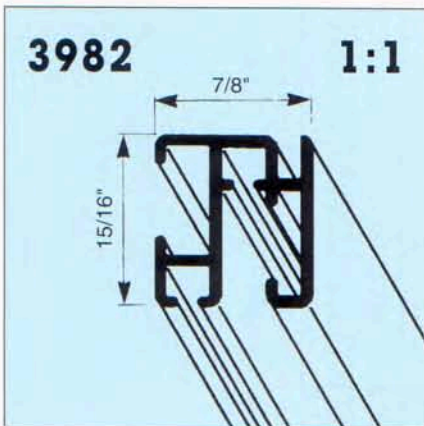


6096 Gliders

3842/3 (1 Each)

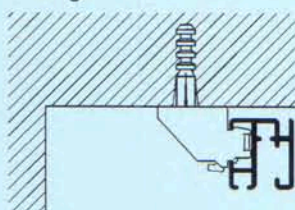


Cord Drawn Drapery Track System Silent Gliss® 3900



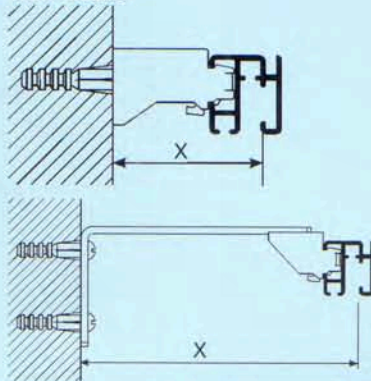
Installation

Ceiling Mount

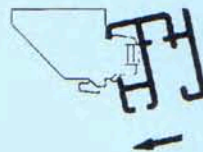


Bracket #3603 to be spaced approx. 24"-36" o.c.

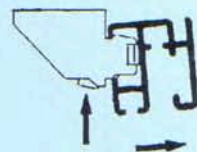
Wall Mount



To Attach:



To Remove:



Brackets may be pre-installed and system snapped onto brackets or brackets may be attached onto tracks and entire system mounted to ceiling.

Fasten #3630 or #3660 brackets onto wall, approx. 24"-36" o.c., then snap track onto brackets.

Bracket	X
3630	1 1/8"
3660	2 1/4"

Use #0829 or #0831 extension brackets with #3603 ceiling bracket for various projections from the wall

Bracket	X
0829	2-3 1/2"
0831	3 1/2-4 7/8"
0829+0828	3 1/2-5 1/4"
0831+0828	5 1/4-6 1/8"

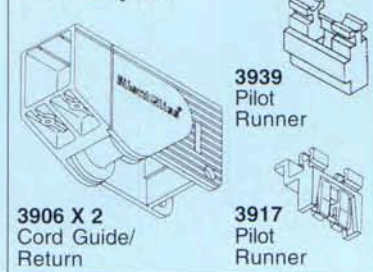
Product Information

- #3900 is a medium duty, cord operated drapery track system
- Patented roller gliders with large wheels glide on rim of front channel with very little friction for smooth and easy traversing
- Offset roller hooks allow pleats to hang straight, conceal track and also reduce friction for easy movement of the drapery
- Enclosed cord channels allow tracks to be curved on both inside and outside radii, with a minimum radius of 8"
- Cord drop may be easily adjusted without dismantling the system
- Available in standard white painted finish only
- Solid track permits mounting brackets to be spaced 24-36" on center for fast installation
- System lengths up to 40 ft.
- Particularly suitable for:
 - Offices
 - Hotels/Motels
 - Hospitals
 - Nursing Homes
 - Schools
 - Residences
- 5 Year Warranty

Min. radius R
3982 = 8"

Standard Components

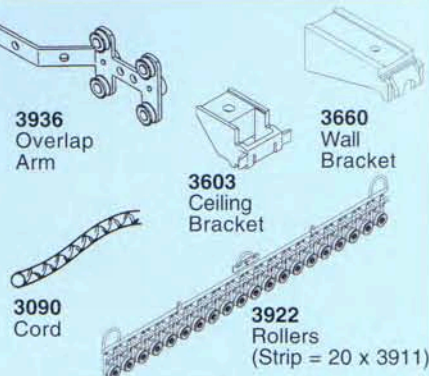
3915 Pulley Set



3906 X 2
Cord Guide/
Return

3939
Pilot
Runner

3917
Pilot
Runner



3936
Overlap
Arm

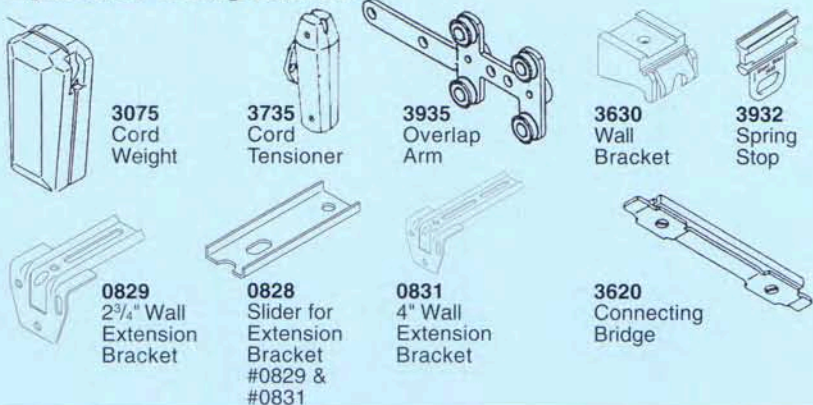
3660
Wall
Bracket

3603
Ceiling
Bracket

3090
Cord

3922
Rollers
(Strip = 20 x 3911)

Optional Components



3075
Cord
Weight

3735
Cord
Tensioner

3935
Overlap
Arm

3630
Wall
Bracket

3932
Spring
Stop

0829
2 3/4" Wall
Extension
Bracket

0828
Slider for
Extension
Bracket
#0829 &
#0831

0831
4" Wall
Extension
Bracket

3620
Connecting
Bridge



Solar Control, LLC | 888-550-4836

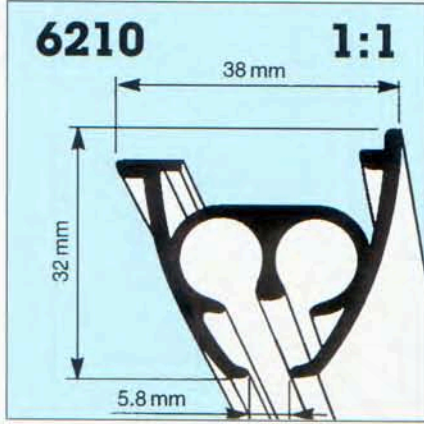
Heavy Duty and Stage Curtain Track System Silent Gliss® 6200

Specification guide

Silent Gliss 6200 curtain track, cord drawn, anodised aluminium, assembled complete with roller gliders 6098 at 10/m, cord guide/returns 6212/6213, pilot runners 6214/6227, overlap 6079, cord 6070 (cord drop 3000mm R.H.S.) and endstop 6007, top fixed with clamp 6209 at

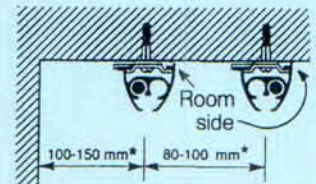
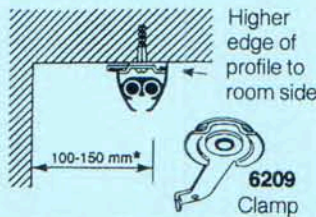
approx. 600mm centres plus cord guide, each screwed to timber/plugged and screwed to blockwork/concrete.

..... Lm. in lengths.

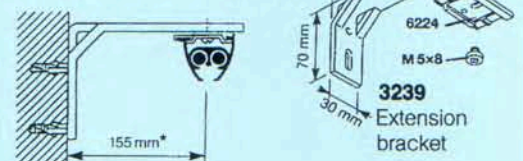


Fitting

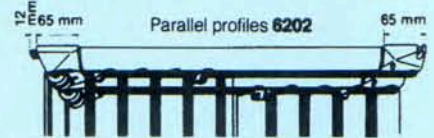
Ceiling fix with clamp 6209



Wall fix with fixed extension bracket 3239 and clamp 6224



System 6202 parallel double system

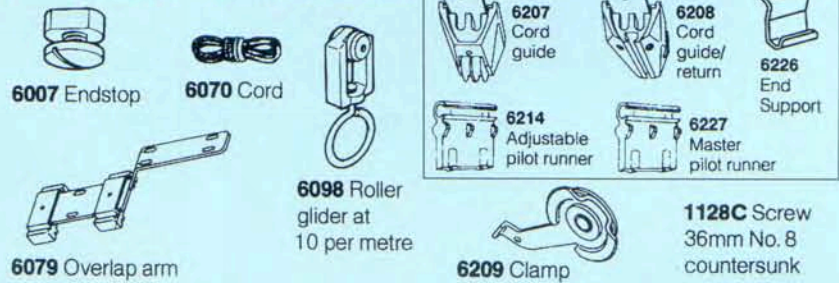


*Dependent on curtain weight, and any obstructions

Product Information

- Unbeatably efficient with effortless closing of curtains up to 90kg in weight and up to 25m in length.
- Heavy duty pulleys and Delrin rollers.
- For very heavy curtains for small stages, conference rooms, sports halls etc. and very heavy domestic curtains.
- Elegant rounded profile more attractive than any competitive system of its size. Same appearance both sides for room dividing.
- Standard lengths 4/5/6m. Silver only. Connecting bridge available.
- Can be used as a parallel system with one cord pull only and infinite overlap, (ideal for stages).
- Fix every 600mm.
- Standard cord drop 300cm.

Standard Accessories



Optional Accessories



Can be bent
Min. radius R
6210= 350mm

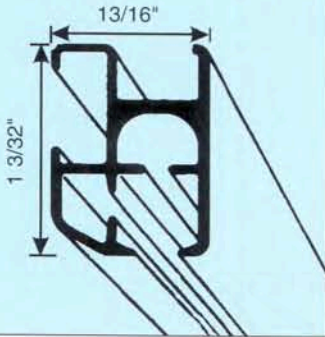
Max. Curtain Weight

	3m	6m	9m	12m	15m	20m	25m
	85	80	75	70	65	57	48
	95	89	84	77	72	62	54
	51	48	45	41	37	32	26
	56	54	50	46	43	36	31
	42	38	35	31	27	22	16
	46	43	39	35	32	26	20
	65	61	57	53	50	43	35
	75	70	66	62	56	50	42

Cord Drawn Drapery Track System Silent Gliss® 6350

6351

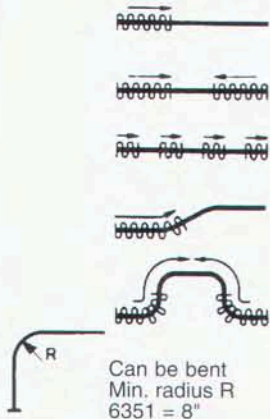
1:1



Product Information

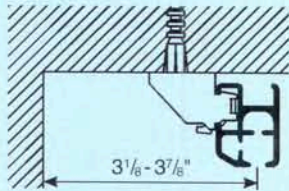
- #6350 is a medium to heavy duty cord drawn drapery system
- Accommodates Pinch Pleat, S-fold or Z-fold drapery headings (see section "appendix" for additional S/Z-fold information)
- Enclosed cord channels ensure that the cord can not slip out of the system
- Available in standard clear anodized or optional white painted finish
- System up to 30'
- System can be curved or bent on both inside and outside radii
- Easy wall, ceiling, suspended or recessed mounting possibilities
- Particularly suitable for:
 - Offices
 - Hotels/Motels
 - Hospitals
 - Schools
 - Homes
- 5 Year Warranty

Bending & Stacking Possibilities



Installation

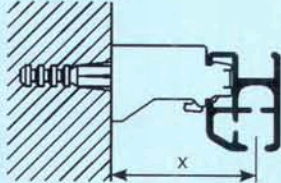
Ceiling Mount



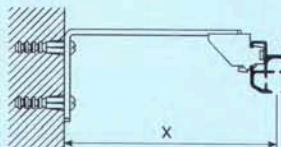
Brackets may be pre-installed and system snapped onto brackets OR brackets may be attached onto tracks and entire system mounted to ceiling.

To remove system from brackets use a screw driver to release the track and remove in an upward motion (opposite to the mounting of the track)

Wall Mount



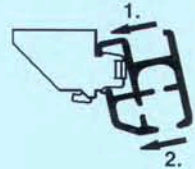
Wall support	X
3630	1 1/2"
3660	2 1/4"



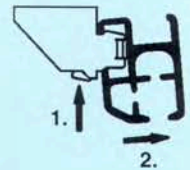
Bracket	X
0829	2-3 1/2"
0831	3 3/4-4 7/8"
0829+0828	3 3/16-5 1/4"
0831+0828	5 1/4-6 3/8"

Use #0829 + #0831 extension brackets with #3603 ceiling bracket for various projections from wall.

Profile Mounting



Profile Unmounting



Recessed Mount



With Recess Profile #2732 and Clamp Bar #2733. (Available In White Only)

Standard Components

6358 Pulley Set

6355/6356 Cord guide returns

6354 pilot runner X 2

3603 Ceiling Bracket

6086 Spring Stop

6065 Endstop

6098 Roller with eye

3093 Heavy Duty Cord

6063 Overlap Arm

Optional Components

0829 2 3/4" Wall Extension Bracket

3660 Wall Bracket

3630 Wall Bracket

0831 4.0" Wall Extension Bracket

6083 Glider

6283 Roller

3020 Hook

3075 Free hanging cord weight

6094 Roller with hook

6575 Cord Tensioner

S-fold/Z-fold components refer to section "appendix"

