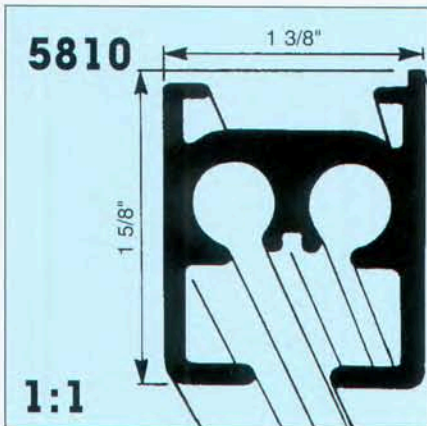


Motorized Drapery Track System Silent Gliss® 5800

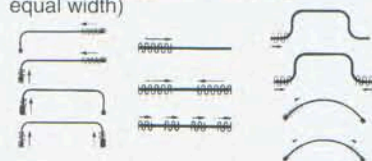


Product Information

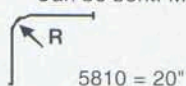
- #5800 is a heavy to very heavy-duty motorized drapery track system for contract applications.
- Suitable for straight, curved, or bent applications.
- System can be curved or bent on both inside and outside radii.
- Single or multiple stacking is possible.
- Exceptionally small, inconspicuous profile considering its capacity, especially compared to traditional stage tracks.
- Profile may be mounted in parallel for increased drapery overlap.
- Crank override in case of power outages.
- Emergency stop button located on motor.
- Motors may be mounted on the wall or floor.
- Systems incorporate non-stretch, steel core cables through internal channels.
- Automatic limit switches and built-in thermal overload protection.
- Motor speed is 8" per second.
- System lengths to 197 feet.
- Maximum system weight up to 617 lbs.
- Optional infrared remote control.
- 5 Year Warranty.

Bending and stacking possibilities

(all multiple curtain stacks are equal width)

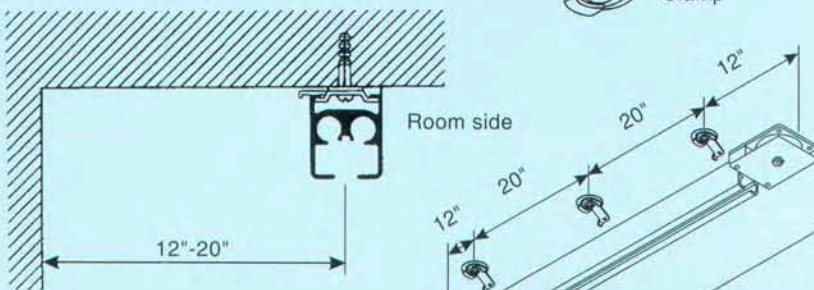


Can be bent. Minimum radius R

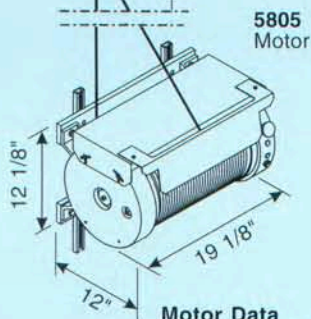
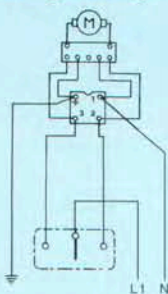


Installation

Ceiling mount with clamp 6209



Wiring Diagram



Motor Data

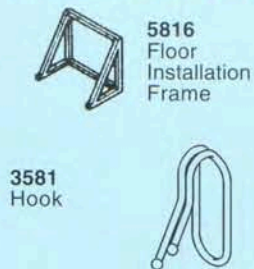
115V/60Hz/550 Watt/5 Amps
230V/50Hz/500 Watt/2.2 Amps

Standard Accessories



Max. Curtain Weights

Optional Accessories



	33 ft.	66 ft.	99 ft.	131 ft.	164 ft.	197 ft.
5815	573	529	485	N/A	N/A	N/A
5816	617	573	529	485	441	397
5811	441	397	353	N/A	N/A	N/A
5814	441	397	375	353	331	309
5809	309	287	265	N/A	N/A	N/A
5805	331	309	287	265	243	221
5806	154	143	132	N/A	N/A	N/A
5809	154	143	132	121	110	99
5811	132	110	88	N/A	N/A	N/A
5814	132	110	88	N/A	N/A	N/A

