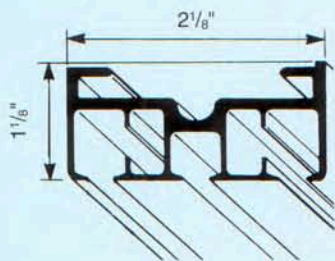


Motorized Drapery Track System Silent Gliss® 5300

5301

1:2



Product Information

- #5300 is a medium to heavy duty motorized drapery track system
- Unique "cylinder-chain" drive belt minimizes friction and guarantees smooth, reliable operation
- Multi-channel profile permits unlimited overlap
- Electronic motor with built-in low voltage switching capabilities and thermal overload protection
- Built in low voltage interface allows direct access to all automated control systems
- Optional Infrared Remote Control, Timer, Sun Sensor by simple plug-in module (see section Controls and Electrical Data)
- System limits may be set from either switch locations or remote transmitter and are protected during power failure
- System can be curved or bent on both inside and outside radii
- Accommodates Pinch Pleat, S-fold or Z-fold drapery headings (see section "appendix" for additional S/Z-fold information)
- Motor concealed behind drapery when mounted below the track
- Motor can be mounted above or below the track
- Single, multiple or asymmetrical stacking
- Optional crank for manual over ride during power failure
- Operation from multiple individual switches and/or a master switch is possible without any additional control devices
- Particularly suitable for offices, hotels, institutions, theaters, stages and auditoriums
- 5 Year Warranty

Can be bent
Min. radius R
5301 = 20"

System Configurations and Maximum Drapery Weights

	17'	32'	50'	64'	82'
	154 lbs.	143 lbs.	132 lbs.	121 lbs.	110 lbs.
	165 lbs.	143 lbs.	132 lbs.	121 lbs.	110 lbs.
	132 lbs.	121 lbs.	110 lbs.	99 lbs.	88 lbs.
	132 lbs.	121 lbs.	110 lbs.	99 lbs.	88 lbs.
	121 lbs.	110 lbs.	99 lbs.	88 lbs.	77 lbs.
	121 lbs.	110 lbs.	99 lbs.	88 lbs.	77 lbs.
	63 lbs.	55 lbs.	48 lbs.	39 lbs.	35 lbs.
	63 lbs.	55 lbs.	48 lbs.	39 lbs.	35 lbs.
	50 lbs.	44 lbs.	*Note: Consult Silent Gliss for larger curved sizes.		
	50 lbs.	44 lbs.			

For applications where drapery weight exceeds 1.8 lbs per roller, use heavy duty roller #5201.

Formula to arrive at drapery weight: $\frac{A \times B \times C \times D}{9^{**} \times 16^{***}} = \text{lbs.}$ ** To arrive from ft.² to yd.²
***Convert oz. into lbs.

Example
 Rail Length (A): 30 ft. (straight)
 Drapery Height (B): 12 ft.
 Drapery Fullness (C): 2 = 100% (double) fullness or 2.2 = 120% fullness, etc.
 Drapery Weight (D): 15 oz./y²

$\frac{30 \times 12 \times 2 \times 15}{9^{**} \times 16^{***}} = 75 \text{ lbs.}$

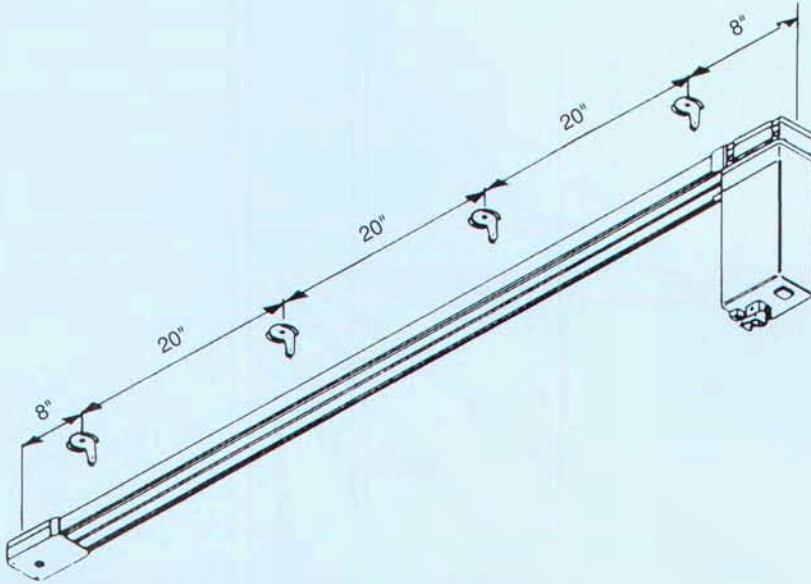
Conclusion:
5300 system can be used.



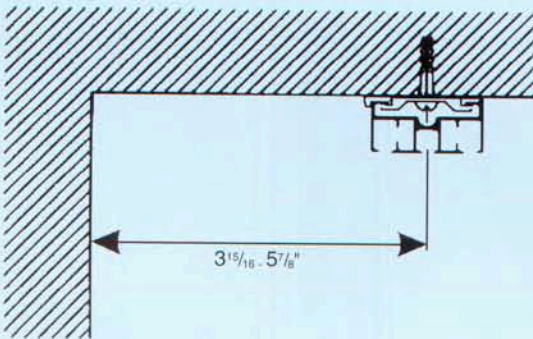
5300

Motorized Drapery Track System Silent Gliss® 5300

Installation

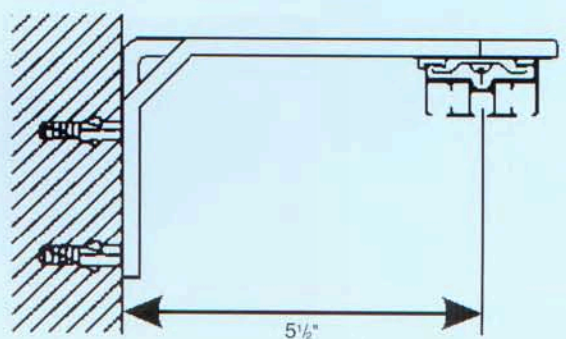


Ceiling Mount



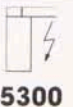
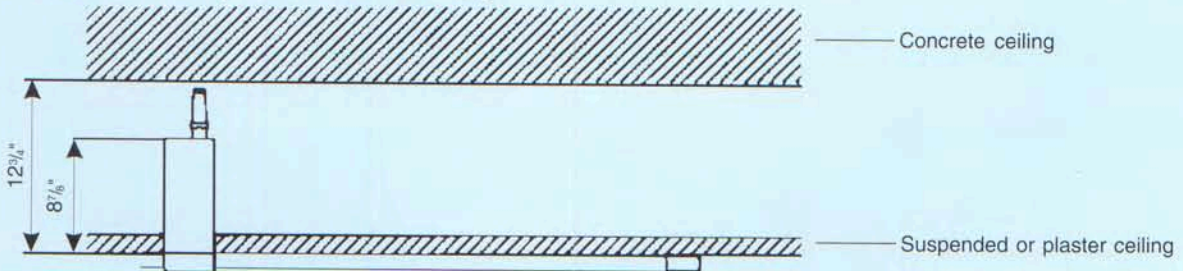
Clamp #5320 spaced approximately 20" o.c.

Wall Mount



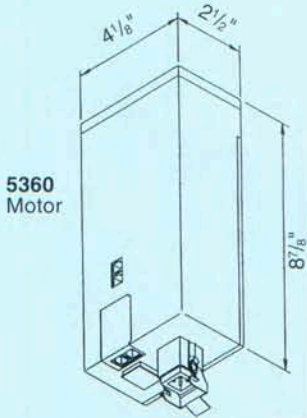
Bracket #3239 spaced approximately 20" o.c.

Motor recessed with profile mounted to ceiling



Motorized Drapery Track System Silent Gliss® 5300

Electrical Information



5360 Motor

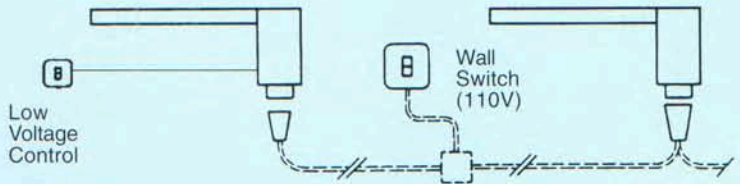
Motor data
Interference-free electronic motor
Thermal Overload Protection
Speed: 12"/sec
110V/60Hz/150W/1.0Amp

5685 Plug



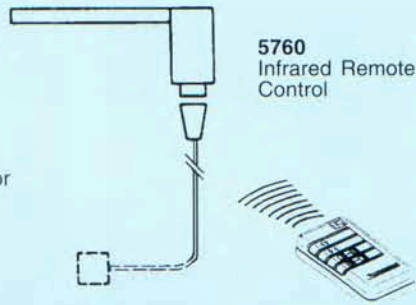
(Export Version)
230V/60Hz/150w/1.0Amp

Operating Methods



Low Voltage Control

Wall Switch (110V)



5760 Infrared Remote Control

For additional information on controls and electrical wiring refer to section "Controls and Electrical Data".

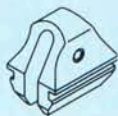
Standard Components



5320 Clamp



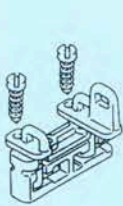
6098 Roller Glider with eyelet



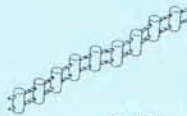
6086 Spring Stop



5318 Motor Bracket



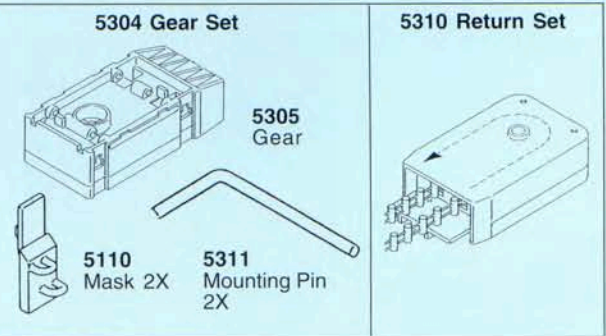
5321 Pilot



5302 Drive Chain

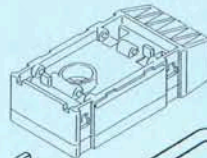


5312 Return Mask



5304 Gear Set

5310 Return Set



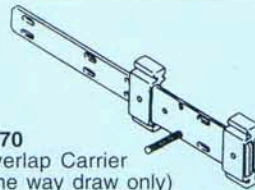
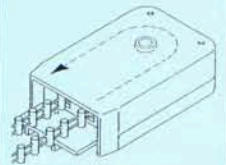
5305 Gear



5110 Mask 2X



5311 Mounting Pin 2X



5670 Overlap Carrier (one way draw only)

Optional Components

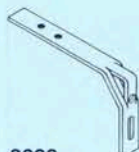
S-fold/Z-fold components refer to section "appendix"



5201 Roller



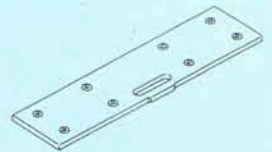
6094 Roller with Hook



3239 Wall Bracket



5337 Crank



5319 Connecting Bridge

