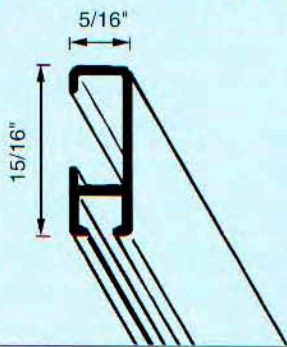


# Picture Hanging System Silent Gliss® 3600

**1080** **1:1**

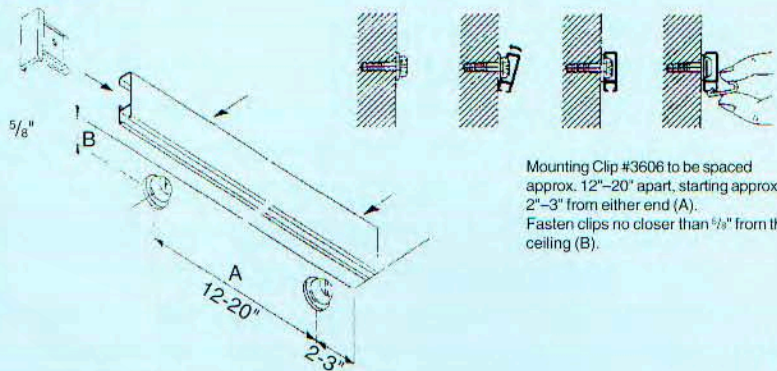


## Product Information

- #3060 is an elegant, aesthetically pleasing rail system for hanging pictures, posters and other light to medium weight wall decorations
- Ideal for use in homes, offices, art galleries, schools, etc.
- Simple to mount to any wall
- Eliminates drilling ugly holes into the wall
- Pictures can be hung by only one person and be easily adjusted at any time horizontally and vertically
- Allows pictures to be moved or changed from time to time, to create a new look, while at the same time preventing non-faded spots on walls
- Rails can be fitted wall to wall, be painted, wall papered over or highlighted as a trim
- Pictures are hung by means of inobtrusive, white (or colored) nylon cords, practically invisible fish line (change from time to time as may dry out)
- Max. recommended weight per picture set: 33 lbs
- 5 Year Warranty

## Installation

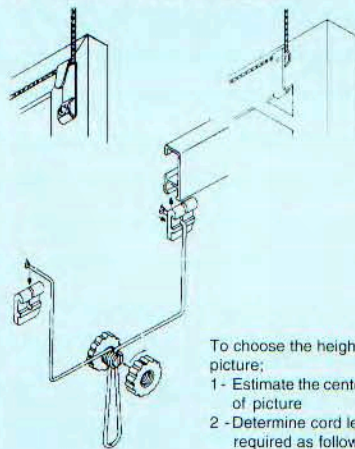
### Wall Mount



Mounting Clip #3606 to be spaced approx. 12"-20" apart, starting approx. 2"-3" from either end (A). Fasten clips no closer than 5/8" from the ceiling (B).

### Assembly of Hanging Set #3665

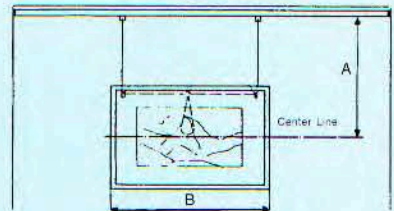
#### For Wooden or Metal Frames



- Screw hook into wooden frame or draw cord through hook for metal frame.
- Make a loop in the cord and place in #3634 height adjuster, and tighten nut of adjusting screw.
- Knot ends of cord and draw through #3663 profile hooks.
- Snap #3663 profile hooks into the picture hanging track, #1080
- Hang picture and adjust height (H); making the cord loop smaller will lower the picture, and enlarging the cord loop raises the picture.

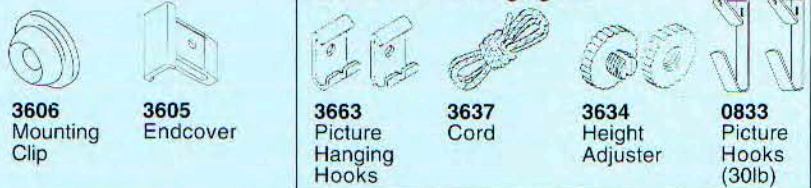


To choose the height of the picture;  
1 - Estimate the center line of picture  
2 - Determine cord length required as follows;  
 $(A \times 2) + B$



## Standard Components

### 3665 - Picture Hanging Set



## Optional Components

