

Maintenance Guide for MechoShade® and ElectroShade® Systems

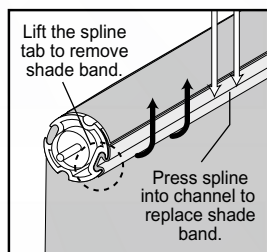
Shadecloth Maintenance

The shadecloth is washable and it is recommended that the shadecloth be cleaned annually. To maintain the shadecloth properly, use a static eliminating chemical on a dry mop to occasionally wipe down the fabric and free it from dust. If the shadecloth should become spotted for any reason, such as from grease, etc., simply use a mild soap to “spot” clean.

MechoShade System

Changing the shadecloth on manually operated shades

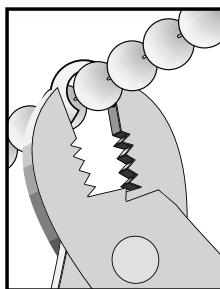
Remove the top stop bead and then lower the shade so that the SnapLoc® Spline is visible. The spline, which is welded to the top of the shade cloth, can be removed from the tube by pulling the spline back towards the shade band so that it pops out of the channel a little at a time. A new shade band is easily inserted by centering the shade band left to right on the tube and pressing the spline into the channel. NOTE: Be sure that the winding direction of the shade band, toward or away from the window, is the same as when originally installed. The top stop bead is then reset at its initial position.



MechoShade Brackets and Chain Maintenance

Shade brackets require no maintenance other than the rare repair of a broken chain. If the chain breaks, it can be repaired by splicing with a chain connector or invisibly spliced by utilizing a pair of bead-chain splice pliers. If new chain is required, the length you require is twice the height of the unit less 2 inches.

The chain is inserted into the bottom channel of the drive end bracket and led around the sprocket. To guide the chain into the offset-position slot, insert a thin plug into the chain slot to be bypassed. To attach one end of the chain to the other use a clasp which MechoShade Systems supplies. New bead stops should be placed in the same positions on the new chain.

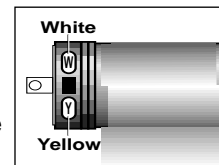


ElectroShade System

Changing the shadecloth on motorized shades

Do not unroll the shade manually. If you do, the limit switches will not be properly set.

Some motors have push button type limit switches, like the one shown, while others have knurled knobs. Lower the shade until it stops automatically at the preset limit in the “full down” position. Then release the top limit switch by either using a thin screwdriver or the adapter that fits over the knurled knob or by pressing and releasing the appropriate push type limit switch.



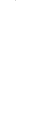
Lower the shade using the switch until the top edge of the shade with the SnapLoc Spline is visible. The spline, which is welded to the top of the shadecloth, can be removed from the tube by pulling the spline back towards the shade band so that it pops out of the channel a little at a time. A new shade band is easily inserted by centering the shade band left to right on the tube and pressing the spline into the channel. Be sure the winding direction the shade band, toward or away from the window, matches the direction it was originally installed. Using the switch raise the shade to its normal “full up” position and reset the top limit switches following the same procedures as above. No mechanical fastening is required.

Determining which color limit switch to release:

YELLOW button or knob regulates the TOP limit stop position on Regular Roll Shades (unroll towards the window) with a left-hand operator, and Reverse Roll Shades (unroll away from the window) with a right-hand operator.



WHITE button or knob regulates the TOP limit stop position on Regular Roll Shades (unroll towards the window) with a right-hand operator, and Reverse Roll Shades (unroll away from the window) with a left-hand operator.



ElectroShade Motors and Relays (MLC™ & IQ/MLC™)

The motors are permanently lubricated and do not require maintenance.

MLC's™ and IQ/MLC's™ containing electro-mechanical relays and are equipped with protective fuses. Replacement relays and fuses are available from MechoShade Systems or from an electrical supply house. MLC's and IQ/MLC's must be accessible in accordance with local and national electrical codes.

MechoShade Systems, Inc.
42-03 35th Street, Long Island City, NY 11101
Telephone: 718-729-2020
Fax: 718-729-2941 / 800-899-8081

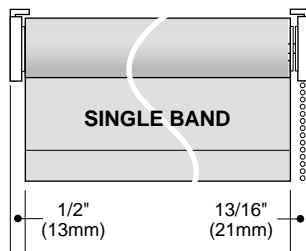
E-mail: info@mechoshade.com
Internet Web Site: www.mechoshade.com

10.01
MS2200 - 6/1/04

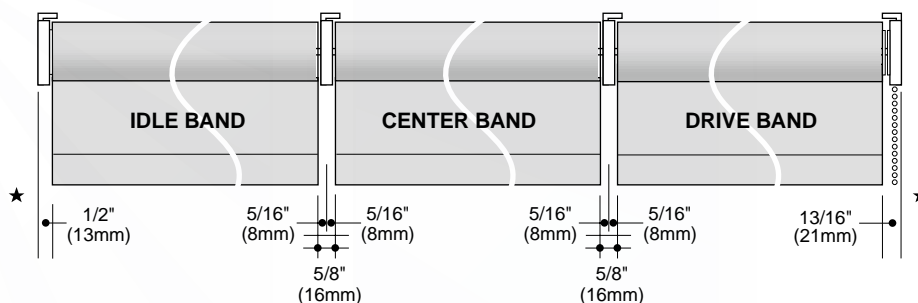


Standard Mecho®/5 Edge Clearances

Edge Clearances for a Single-Band shade



Edge Clearances for a 3-Banded shade



Tube and ShadeCloth Deducts

BRACKET COMBINATIONS	SINGLE-BAND SHADE	3-BANDED SHADE		
		IDLE BAND	CENTER BAND	DRIVE BAND
Tube Deduct	1-9/16" (40mm)	1-5/16" (33mm)	1-1/8" (29mm)	1-3/8" (35mm)
Cloth Deduct	1-5/16" (33mm)	13/16" (21mm)	5/8" (16mm)	1-1/8" (29mm)

For Lift-Assist Mechanism Upgrades: increase the Edge Clearance, ShadeCloth Deduct and Tube Deduct by 1/8" (3mm) on the Idle-End only.

For shades with a width to height ratio greater than a 1:3 Ratio add the following to the Edge Clearance and ShadeCloth Deduct:

- Greater than a 1:3 Ratio: add 1/8" (3mm)
- Greater than a 1:4 Ratio: add 1/4" (6mm)
- Greater than a 1:5 Ratio: add 1/2" (13mm)
- Greater than a 1:6 Ratio: add 5/8" (13mm)

For Drive or Idle-End Brackets that come in contact with a surface (★): reduce the ratio increase by one-half.

MechoShade Systems, Inc.
42-03 35th Street, Long Island City, NY 11101
Telephone: 718-729-2020
Fax: 718-729-2941 / 800-899-8081

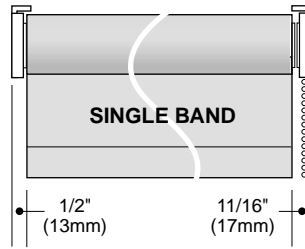
E-mail: info@mechoshade.com
Internet Web Site: www.mechoshade.com

10.02
MSZ200 - 6/1/04

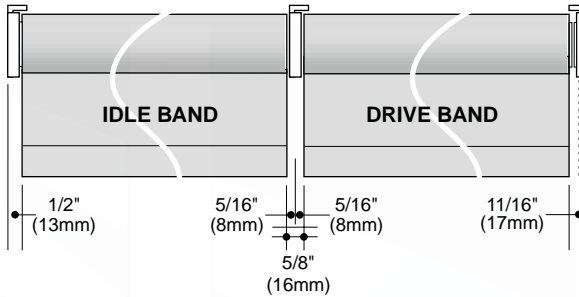


Standard Mecho® SlimLine™ Edge Clearances

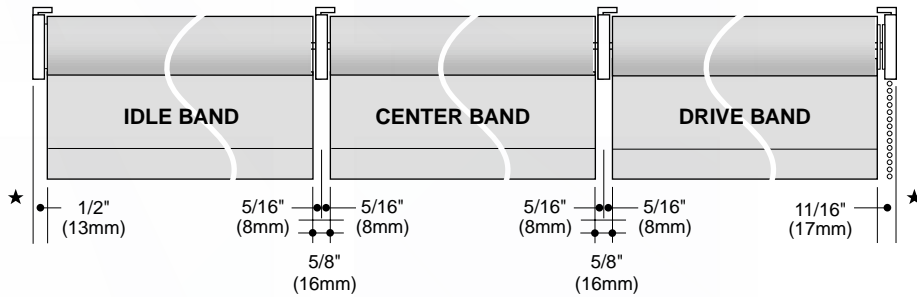
Edge Clearances for a Single-Band shade



Edge Clearances for a 2-Banded shade



Edge Clearances for a 3-Banded shade



Tube and ShadeCloth Deducts

BRACKET COMBINATIONS	SINGLE-BAND SHADE	2-BANDED		3-BANDED SHADE		
		IDLE BAND	DRIVE BAND	IDLE BAND	CENTER BAND	DRIVE BAND
Tube Deduct	1-7/16" (37mm)	1-5/16" (33mm)	1-1/4" (32mm)	1-5/16" (33mm)	1-1/8" (29mm)	1-1/4" (32mm)
Cloth Deduct	1-3/16" (30mm)	13/16" (21mm)	1" (25mm)	13/16" (21mm)	5/8" (16mm)	1" (25mm)

For Lift-Assist Mechanism Upgrades: increase the Edge Clearance, ShadeCloth Deduct and Tube Deduct by 1/8" (3mm) on the Idle-End only.

For shades with a width to height ratio greater than a 1:3 Ratio add the following to the Edge Clearance and ShadeCloth Deduct:

- Greater than a 1:3 Ratio: add 1/8" (3mm)
- Greater than a 1:4 Ratio: add 1/4" (6mm)
- Greater than a 1:5 Ratio: add 1/2" (13mm)
- Greater than a 1:6 Ratio: add 5/8" (13mm)

For Drive or Idle-End Brackets that come in contact with a surface (★): reduce the ratio increase by one-half.

MechoShade Systems, Inc.
42-03 35th Street, Long Island City, NY 11101
Telephone: 718-729-2020
Fax: 718-729-2941 / 800-899-8081

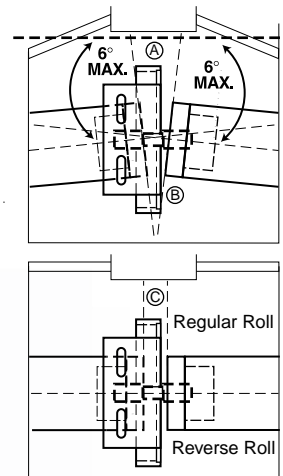
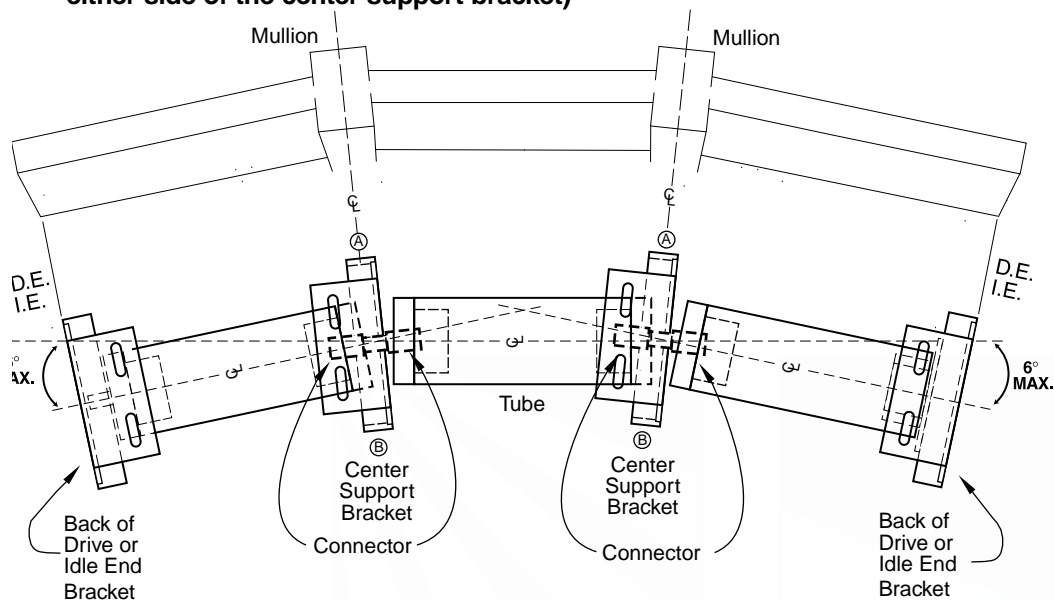
E-mail: info@mechoshade.com
Internet Web Site: www.mechoshade.com

10.03
MS2200 - 6/1/04

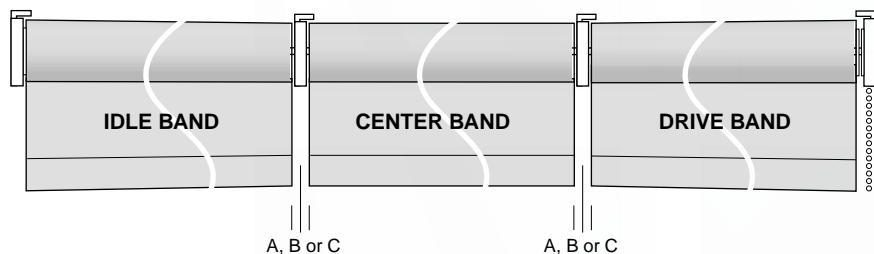


Standard Mecho® Edge Clearances for <12° Radius Center Support

Tube and Shade Band Edge Clearances for a multibanded shade on a bay or curved window wall utilizing Mecho®/5 brackets, using standard tube plugs and tube connectors. Up to a maximum angle of 12° (6° max. either side of the center support bracket)



Shown as Regular Roll (A)



MAXIMUM EDGE CLEARANCE*

	Angled Shade		Straight Shade (C)
	Reg. Roll (A)	Rev. Roll (B)	
Mecho/5 Wide	3/4" (19mm)	7/16" (11mm)	5/8" (16mm)
Mecho/5 Pocket	3/4" (19mm)	7/16" (11mm)	5/8" (16mm)
Mecho/5 Extended	3/4" (19mm)	7/16" (11mm)	5/8" (16mm)

MAXIMUM DEDUCT USING <12° (6°+6°) CENTER SUPPORTS**

TOTAL DEDUCT		Idle-End Band	Center Band	Drive-End Band
Bracket Type	Model	Idle End to Center Support	Center Support to Center Support	Center Support to Drive End
Tube Deduct	Mecho/5 Wide	1-5/16" (33mm)	1-1/8" (29mm)	1-3/8" (35mm)
	Mecho/5 Pocket	1-5/16" (33mm)	1-1/8" (29mm)	1-3/8" (35mm)
	Mecho/5 Ext.	1-5/16" (33mm)	1-1/8" (29mm)	1-3/8" (35mm)
Cloth Deduct	Mecho/5 Wide	1-13/16" (21mm)	5/8" (16mm)	1-1/8" (29mm)
	Mecho/5 Pocket	1-13/16" (21mm)	5/8" (16mm)	1-1/8" (29mm)
	Mecho/5 Ext.	1-13/16" (21mm)	5/8" (16mm)	1-1/8" (29mm)

** The deducts vary by angle.

***NOTE:**

Edge clearances A & B for angled shades, are determined based on:

- 1) Regular Roll or Reverse Roll,
- 2) Rolled up diameter,
- 3) Up or Down position of the shade, and
- 4) Angle of the window wall.

The edge clearance shown below for Mecho/5 are at an 6 degree + 6 degree angle off the radius, with a 1-1/2" (38mm) tube and the shade in the full down position.

As the shade rises edge clearances will increase on a Regular Roll shade and decrease on a Reverse Roll shade. The amount of variance will depend on height of the shade and angle.

Edge clearance C, for non-angled shades, is unaffected by the above factors.

For Lift-Assist Mechanism Upgrades:

Increase the Edge Clearance, ShadeCloth Deduct and Tube Deduct by 1/8" (3mm) on the Idle-End only.

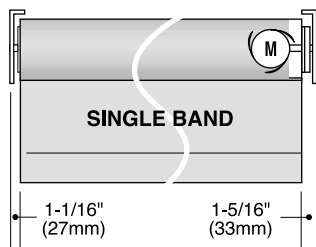
For shades with a width to height ratio greater than a 1:3 Ratio add the following to the Edge Clearance and ShadeCloth Deduct:

- Greater than a 1:3 Ratio: add 1/8" (3mm)
- Greater than a 1:4 Ratio: add 1/4" (6mm)
- Greater than a 1:5 Ratio: add 1/2" (13mm)
- Greater than a 1:6 Ratio: add 5/8" (13mm)

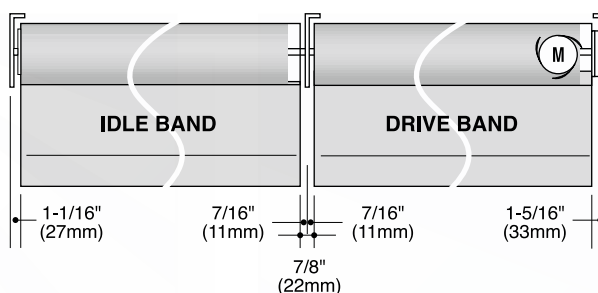


Standard Electro®/1 and 2 Edge Clearances

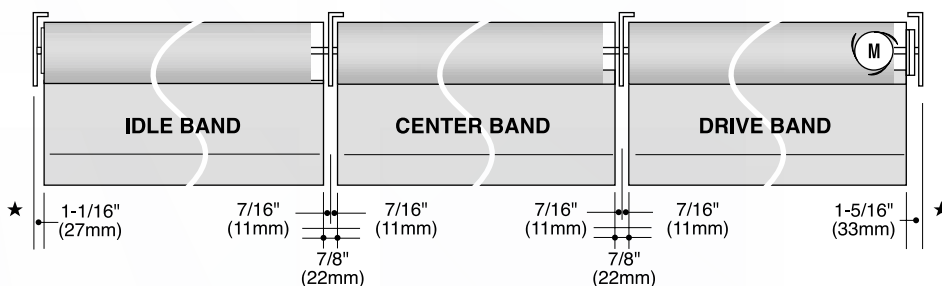
Edge Clearances for a Single-Band shade



Edge Clearances for a 2-Banded shade



Edge Clearances for a 3-Banded shade



Tube and ShadeCloth Deducts

BRACKET COMBINATIONS	SINGLE-BAND SHADE	2-BANDED SHADE		3-BANDED SHADE		
		IDLE BAND	DRIVE BAND	IDLE BAND	CENTER BAND	DRIVE BAND
Tube Deduct	2-5/8" (67mm)	1-3/4" (44mm)	2" (51mm)	1-3/4" (44mm)	1-1/8" (29mm)	2" (44mm)
Cloth Deduct	2-3/8" (60mm)	1-1/2" (38mm)	1-3/4" (44mm)	1-1/2" (38mm)	7/8" (22mm)	1-3/4" (44mm)

For RTS Motor Upgrades: increase the Edge Clearance, ShadeCloth Deduct and Tube Deduct by 3/16" (5mm) on the Drive-End only.

For shades with a width to height ratio greater than a 1:3 Ratio add the following to the Edge Clearance and ShadeCloth Deduct:

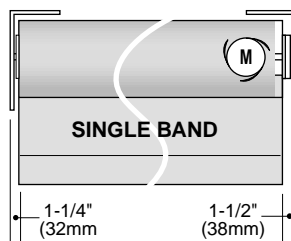
- Greater than a 1:3 Ratio: add 1/8" (3mm)
- Greater than a 1:4 Ratio: add 1/4" (6mm)
- Greater than a 1:5 Ratio: add 1/2" (13mm)
- Greater than a 1:6 Ratio: add 5/8" (13mm)

For Drive or Idle-End Brackets that come in contact with a surface (★): reduce the ratio increase by one-half.

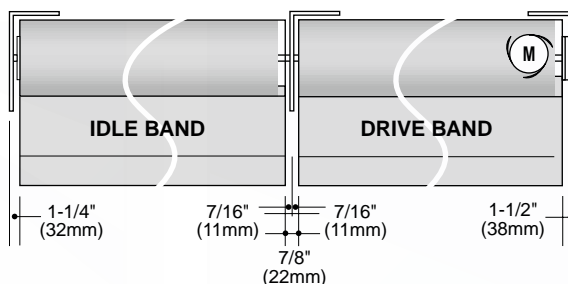


Standard Electro®/1 and 2 Extended Edge Clearances

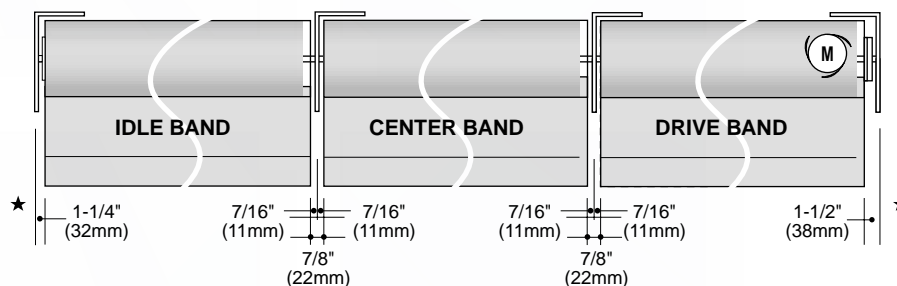
Edge Clearances for a Single-Band shade



Edge Clearances for a 2-Banded shade



Edge Clearances for a 3-Banded shade



Tube and ShadeCloth Deducts

BRACKET COMBINATIONS	SINGLE-BAND SHADE	2-BANDED SHADE		3-BANDED SHADE		
		IDLE BAND	DRIVE BAND	IDLE BAND	CENTER BAND	DRIVE BAND
Tube Deduct	2-7/8" (73mm)	1-15/16" (49mm)	2-1/16" (53mm)	1-15/16" (49mm)	1-1/8" (29mm)	2-1/16" (53mm)
Cloth Deduct	2-3/4" (70mm)	1-11/16" (43mm)	1-15/16" (49mm)	1-11/16" (43mm)	7/8" (22mm)	1-15/16" (49mm)

For RTS Motor Upgrades: increase the Edge Clearance, ShadeCloth Deduct and Tube Deduct by 3/16" (5mm) on the Drive-End only.

For shades with a width to height ratio greater than a 1:3 Ratio add the following to the Edge Clearance and ShadeCloth Deduct:

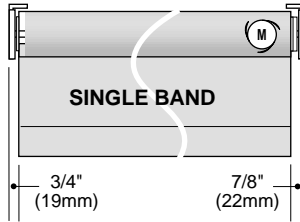
- Greater than a 1:3 Ratio: add 1/8" (3mm)
- Greater than a 1:4 Ratio: add 1/4" (6mm)
- Greater than a 1:5 Ratio: add 1/2" (13mm)
- Greater than a 1:6 Ratio: add 5/8" (13mm)

For Drive or Idle-End Brackets that come in contact with a surface (★): reduce the ratio increase by one-half.

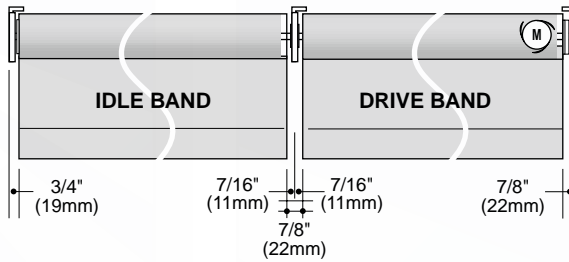


Standard Electro®/3 Edge Clearances

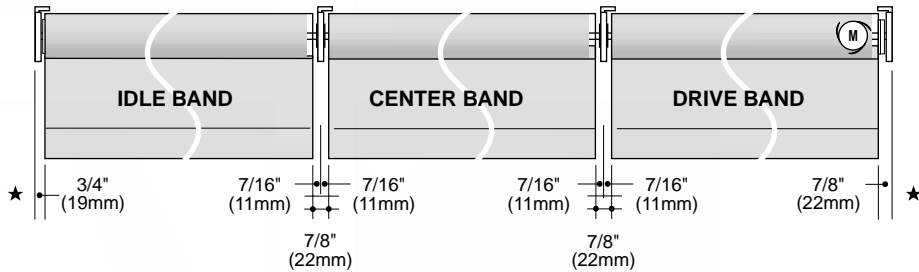
Edge Clearances for a Single-Band shade



Edge Clearances for a 2-Banded shade



Edge Clearances for a 3-Banded shade



Tube and ShadeCloth Deducts

BRACKET COMBINATIONS	SINGLE-BAND SHADE	2-BANDED SHADE		3-BANDED SHADE		
		IDLE BAND	DRIVE BAND	IDLE BAND	CENTER BAND	DRIVE BAND
Tube Deduct	1-5/8" (41mm)	1-7/16" (37mm)	1-5/16" (33mm)	1-5/16" (33mm)	1-1/8" (29mm)	1-7/16" (37mm)
Cloth Deduct	1-5/8" (41mm)	1-5/16" (33mm)	1-3/16" (30mm)	1-3/16" (30mm)	7/8" (22mm)	1-5/16" (33mm)

For RTS Motor Upgrades: increase the Edge Clearance, ShadeCloth Deduct and Tube Deduct by 3/16" (5mm) on the Drive-End only.

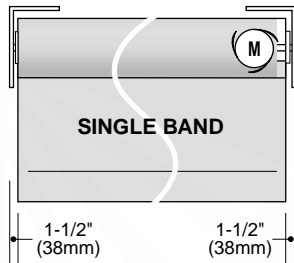
For shades with a width to height ratio greater than a 1:3 Ratio add the following to the Edge Clearance and ShadeCloth Deduct:

- **Greater than a 1:3 Ratio:** add 1/8" (3mm)
- **Greater than a 1:4 Ratio:** add 1/4" (6mm)
- **Greater than a 1:5 Ratio:** add 1/2" (13mm)
- **Greater than a 1:6 Ratio:** add 5/8" (13mm)

For Drive or Idle-End Brackets that come in contact with a surface (★): reduce the ratio increase by one-half.



Standard Electro®/1 and 2 Edge Clearances for 5" to 10" Diameter Tubes



Tube and ShadeCloth Deducts

DEDUCT TYPES	SINGLE-BAND SHADE
Tube Deduct	3-1/6" (78mm)
Cloth Deduct	3" (76mm)

Check with your MechoShade Technical Representative. Edge Clearances are approximate. Subject to MechoShade approval for width, height and environmental conditions.

For RTS Motor Upgrades: Increase the Edge Clearance, ShadeCloth Deduct and Tube Deduct by 3/16" (5mm) on the Drive-End only.

For shades with a width to height ratio greater than a 1:3 Ratio add the following to the Edge Clearance and ShadeCloth Deduct:

- **Greater than a 1:3 Ratio:** add 1/8" (3mm)
- **Greater than a 1:4 Ratio:** add 1/4" (6mm)
- **Greater than a 1:5 Ratio:** add 1/2" (13mm)
- **Greater than a 1:6 Ratio:** add 5/8" (13mm)

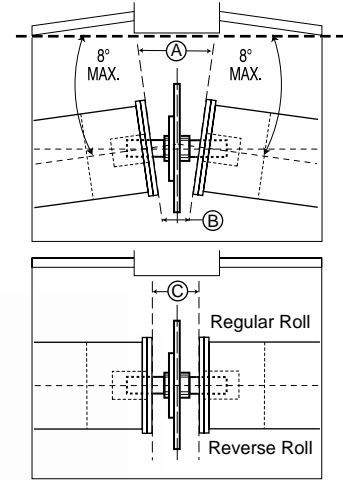
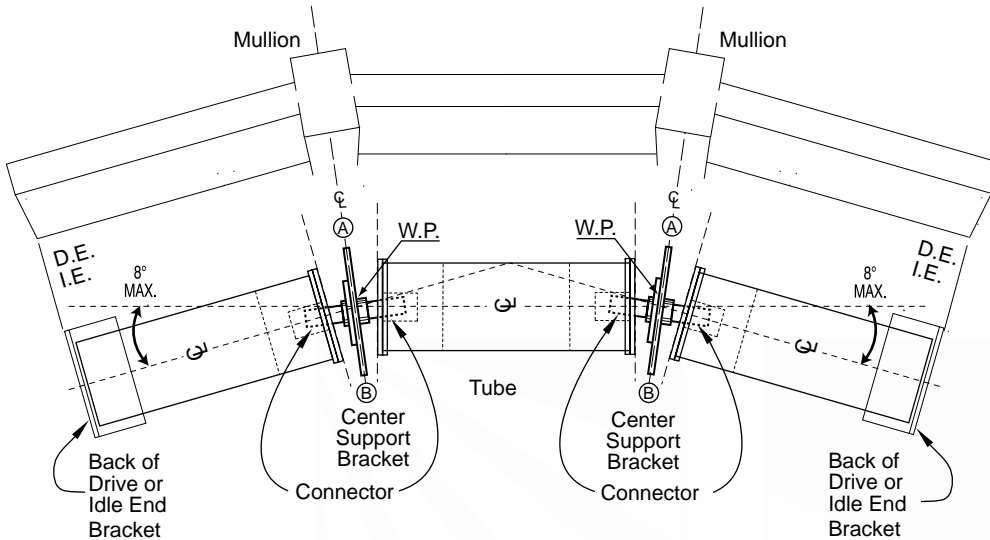
For Drive or Idle-End Brackets that come in contact with a surface (★):

Reduce the ratio increase by one-half.

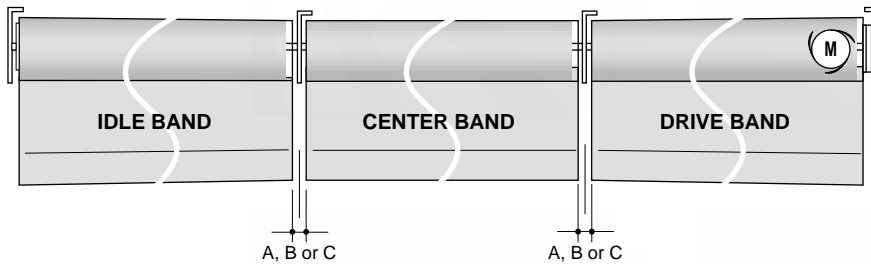


Standard Electro® Edge Clearances for <16° Radius Center Support

Tube and Shade Band Edge Clearances for a multibanded shade on a bay or curved window wall utilizing Electro /1, 2 or 3 brackets, a pair of special reinforced tube plugs and a 16° radius tube connector. Up to a maximum angle of 16° (8° max. either side of the center support bracket)



Shown as Regular Roll (A)



*NOTE:

Edge clearances A & B for angled shades, are determined based on:

- 1) Regular Roll or Reverse Roll,
- 2) Rolled up diameter,
- 3) Up or Down position of the shade, and
- 4) Angle of the window wall.

The edge clearance shown below for Electro/1 and 2 are at an 8 degree + 8 degree angle off the radius, with a 2-1/2" (64mm) tube and the shade in the full down position. Edge clearance for Electro/3 is based on a 1-3/4" (44mm) tube.

As the shade rises edge clearances will increase on a Regular Roll shade and decrease on a Reverse Roll shade.

The amount of variance will depend on height of the shade and angle.

Edge clearance C, for non-angled shades, is unaffected by the above factors.

For RTS Motor Upgrades: Increase the Edge Clearance, ShadeCloth Deduct and Tube Deduct by 3/16" (5mm) on the Drive-End only.

For shades with a width to height ratio greater than a 1:3 Ratio add the following to the Edge Clearance and ShadeCloth Deduct:

- Greater than a 1:3 Ratio: add 1/8" (3mm)
- Greater than a 1:4 Ratio: add 1/4" (6mm)
- Greater than a 1:5 Ratio: add 1/2" (13mm)
- Greater than a 1:6 Ratio: add 5/8" (13mm)

MAXIMUM EDGE CLEARANCE*

	Angled Shade		Straight Shade (C)
	Reg. Roll (A)	Rev. Roll (B)	
Electro/1 & 2	1-9/16" (39mm)	7/8" (22mm)	1-1/4" (32mm)
Electro/1 & 2 Extended	1-9/16" (39mm)	7/8" (22mm)	1-1/4" (32mm)
Electro/3	1-1/2" (38mm)	7/8" (22mm)	1-1/4" (32mm)

MAXIMUM DEDUCT USING <16° (8°+8°) CENTER SUPPORTS**

TOTAL DEDUCT		Idle-End Band	Center Band	Drive-End Band
Bracket Type	Model	Idle End to Center Support	Center Support to Center Support	Center Support to Drive End
Tube Deduct	Electro/1 & 2	1-7/8" (48mm)	1-3/4" (44mm)	2-1/8" (54mm)
	Electro/1 & 2 Ext.	2-1/16" (75mm)	1-1/2" (38mm)	2-1/4" (57mm)
	Electro/3	1-1/2" (38mm)	1-1/2" (38mm)	1-5/8" (41mm)
Cloth Deduct	Electro/1 & 2	1-1/2" (38mm)	1-1/8" (29mm)	1-7/8" (48mm)
	Electro/1 & 2 Ext.	1-13/16" (46mm)	1-1/4" (32mm)	2" (51mm)
	Electro/3	1-1/4" (32mm)	1" (25mm)	1-3/8" (35mm)

** The deducts vary by angle.

MechoShade Systems, Inc.
42-03 35th Street, Long Island City, NY 11101
Telephone: 718-729-2020
Fax: 718-729-2941 / 800-899-8081

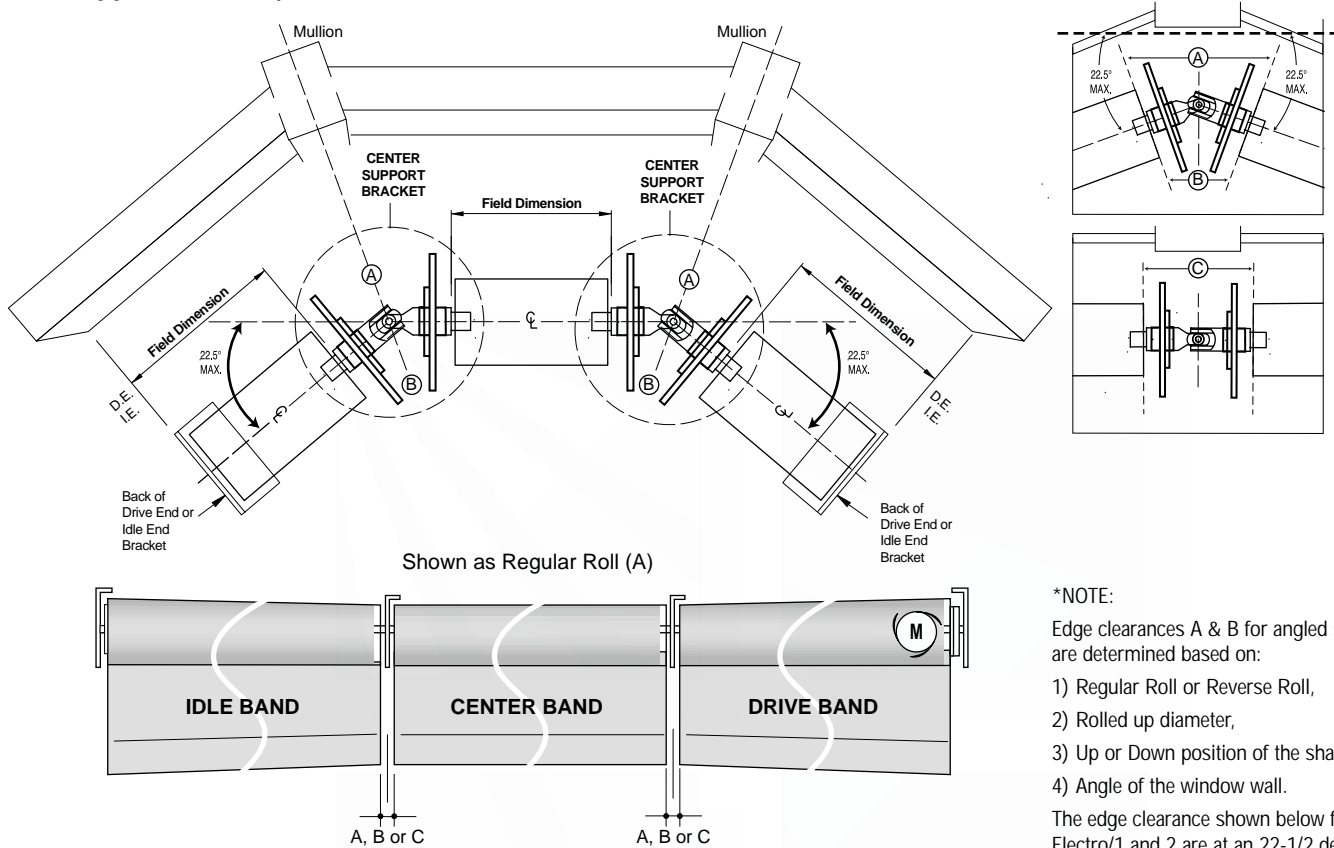
E-mail: info@mechoshade.com
Internet Web Site: www.mechoshade.com

10.09
MS2200 - 6/1/04



Standard Electro® Edge Clearances for <45° Radius Center Support

Tube and Shade Band Edge Clearances for a multibanded shade on a bay or curved window wall utilizing Electro/1, 2 or 3 Drive- and Idle-End brackets, a pair of center support brackets and a special 45° radius joint tube connector. Up to a maximum angle of 45° (22-1/2° max. either side of the middle of the center support brackets).



*NOTE:

Edge clearances A & B for angled shades, are determined based on:

- 1) Regular Roll or Reverse Roll,
- 2) Rolled up diameter,
- 3) Up or Down position of the shade, and
- 4) Angle of the window wall.

The edge clearance shown below for Electro/1 and 2 are at an 22-1/2 degree + 22-1/2 degree angle off the radius, with a 2-1/2" (64mm) tube and the shade in the full down position. Edge clearance for Electro/3 is based on a 1-3/4" (44mm) tube.

As the shade rises edge clearances will increase on a Regular Roll shade and decrease on a Reverse Roll shade.

The amount of variance will depend on height of the shade and angle.

Edge clearance C, for non-angled shades, is unaffected by the above factors.

For RTS Motor Upgrades: Increase the Edge Clearance, ShadeCloth Deduct and Tube Deduct by 3/16" (5mm) on the Drive-End only.

For shades with a width to height ratio greater than a 1:3 Ratio add the following to the Edge Clearance and ShadeCloth Deduct:

- Greater than a 1:3 Ratio: add 1/8" (3mm)
- Greater than a 1:4 Ratio: add 1/4" (6mm)
- Greater than a 1:5 Ratio: add 1/2" (13mm)
- Greater than a 1:6 Ratio: add 5/8" (13mm)

MAXIMUM EDGE CLEARANCE*

	Angled Shade		Straight Shade (C)
	Reg. Roll (A)	Rev. Roll (B)	
Electro/1 & 2	3-13/16" (97mm)	1-15/16" (49mm)	3-1/8" (80mm)
Electro/1 & 2 Extended	3-13/16" (97mm)	1-15/16" (49mm)	3-1/8" (80mm)
Electro/3	3-9/16" (91mm)	2-5/16" (59mm)	3-1/8" (80mm)

MAXIMUM DEDUCT USING <45° (22-1/2°+22-1/2°) CENTER SUPPORTS**

TOTAL DEDUCT		Idle-End Band	Center Band	Drive-End Band
Bracket Type	Model	Idle End to Center Support	Center Support to Center Support	Center Support to Drive End
Tube Deduct	Electro/1 & 2	1-5/16" (33mm)	1/2" (13mm)	1-9-16" (40mm)
	Electro/1 & 2 Ext.	1-1/2" (38mm)	1/2" (13mm)	1-5/8" (41mm)
	Electro/3	1" (25mm)	1/2" (13mm)	1-1/8" (29mm)
Cloth Deduct	Electro/1 & 2	1-1/16" (27mm)	1/4" (6mm)	1-7/16" (37mm)
	Electro/1 & 2 Ext.	1-1/4" (32mm)	1/4" (6mm)	1-9/16" (42mm)
	Electro/3	7/8" (22mm)	1/4" (6mm)	1" (25mm)

** The deducts vary by angle.

MechoShade Systems, Inc.
42-03 35th Street, Long Island City, NY 11101
Telephone: 718-729-2020
Fax: 718-729-2941 / 800-899-8081

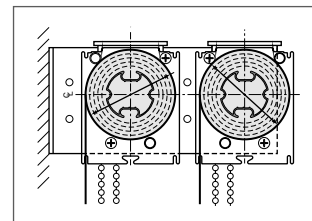
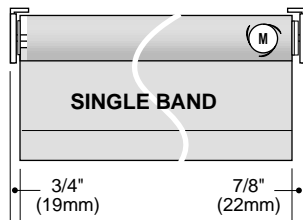
E-mail: info@mechoshade.com
Internet Web Site: www.mechoshade.com

10.10
MS2200 - 6/1/04

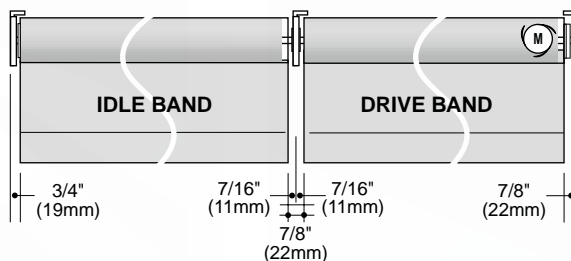


Standard Mecho® DoubleShade® #10 Edge Clearances

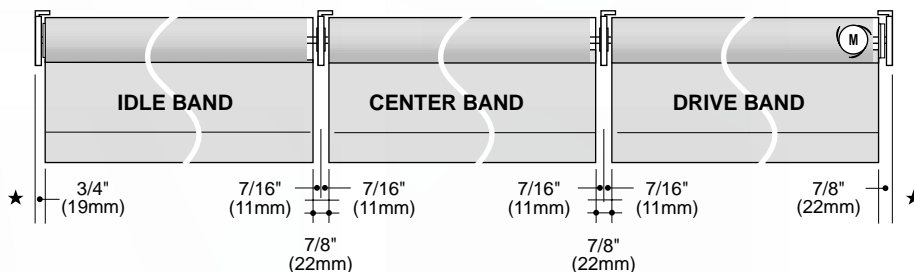
Edge Clearances for a Single-Band shade



Edge Clearances for a 2-Banded shade



Edge Clearances for a 3-Banded shade



Tube and ShadeCloth Deducts

BRACKET COMBINATIONS	SINGLE-BAND SHADE	2-BANDED SHADE		3-BANDED SHADE		
		IDLE BAND	DRIVE BAND	IDLE BAND	CENTER BAND	DRIVE BAND
Tube Deduct	1-13/16" (46mm)	1-1/2" (38mm)	1-9/16" (40mm)	1-1/2" (38mm)	1-1/4" (32mm)	1-9/16" (40mm)
Cloth Deduct	1-9/16" (40mm)	1" (25mm)	1-5/16" (33mm)	1" (25mm)	3/4" (19mm)	1-5/16" (33mm)

For Lift-Assist Mechanism Upgrades: increase the Edge Clearance, ShadeCloth Deduct and Tube Deduct by 1/8" (3mm) on the Idle-End only.

For shades with a width to height ratio greater than a 1:3 Ratio add the following to the Edge Clearance and ShadeCloth Deduct:

- **Greater than a 1:3 Ratio:** add 1/8" (3mm)
- **Greater than a 1:4 Ratio:** add 1/4" (6mm)
- **Greater than a 1:5 Ratio:** add 1/2" (13mm)
- **Greater than a 1:6 Ratio:** add 5/8" (13mm)

For Drive or Idle-End Brackets that come in contact with a surface (★): reduce the ratio increase by one-half.

MechoShade Systems, Inc.
42-03 35th Street, Long Island City, NY 11101
Telephone: 718-729-2020
Fax: 718-729-2941 / 800-899-8081

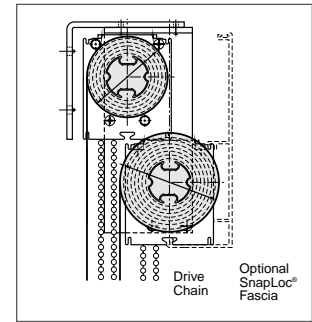
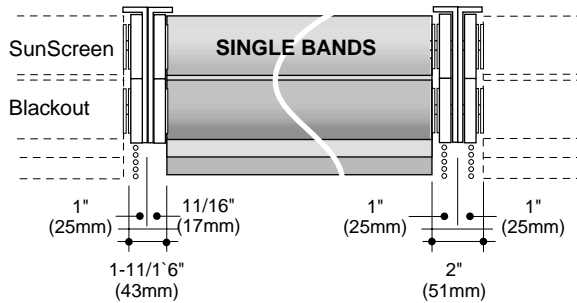
E-mail: info@mechoshade.com
Internet Web Site: www.mechoshade.com

10.11
MS2200 - 6/1/04

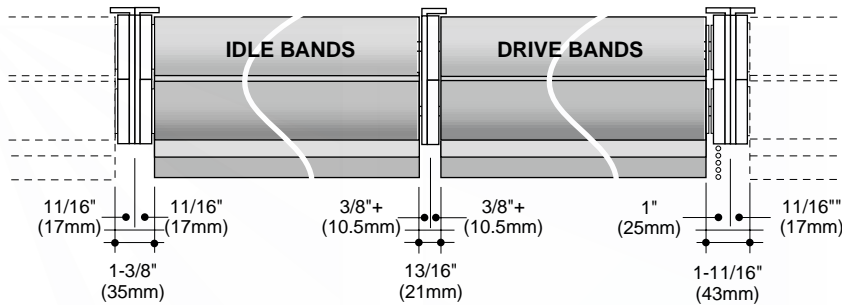


Standard Mecho® DoubleShade® #15 Edge Clearances

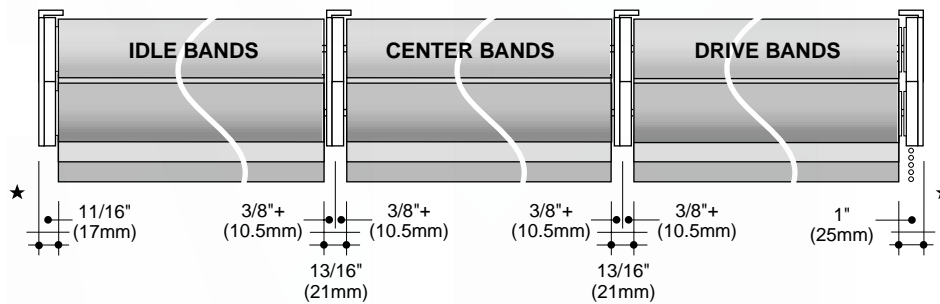
Edge Clearances for a Single-Band DoubleShade #15



Edge Clearances for a 2-Banded DoubleShade #15



Edge Clearances for a 3-Banded DoubleShade #15



Tube and ShadeCloth Deducts

BRACKET COMBINATIONS	SINGLE-BAND SHADE	2-BANDED SHADE		3-BANDED SHADE		
		IDLE BAND	DRIVE BAND	IDLE BAND	CENTER BAND	DRIVE BAND
Tube Deduct	1-15/16" (49mm)	1-5/8" (41mm)	1-11/16" (43mm)	1-5/8" (41mm)	1-5/16" (33mm)	1-11/16" (43mm)
Cloth Deduct	1-11/16" (43mm)	1-1/8" (29mm)	1-7/16" (37mm)	1-1/8" (29mm)	13/16" (21mm)	1-7/16" (37mm)

For Lift-Assist Mechanism Upgrades: increase the Edge Clearance, ShadeCloth Deduct and Tube Deduct by 1/8" (3mm) on the Idle-End only.

For shades with a width to height ratio greater than a 1:3 Ratio add the following to the Edge Clearance and ShadeCloth Deduct:

- Greater than a 1:3 Ratio: add 1/8" (3mm)
- Greater than a 1:4 Ratio: add 1/4" (6mm)
- Greater than a 1:5 Ratio: add 1/2" (13mm)
- Greater than a 1:6 Ratio: add 5/8" (13mm)

For Drive or Idle-End Brackets that come in contact with a surface (★): reduce the ratio increase by one-half.

MechoShade Systems, Inc.
 42-03 35th Street, Long Island City, NY 11101
 Telephone: 718-729-2020
 Fax: 718-729-2941 / 800-899-8081

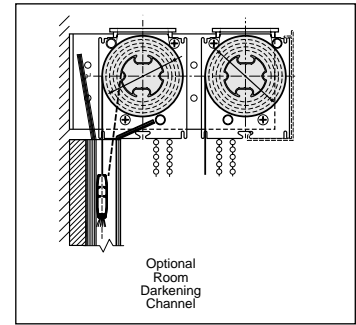
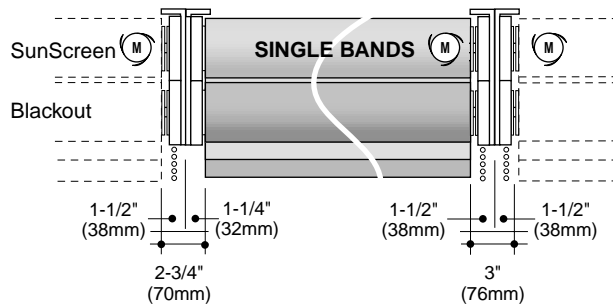
E-mail: info@mechoshade.com
 Internet Web Site: www.mechoshade.com

10.12
 MS2200 - 6/1/04

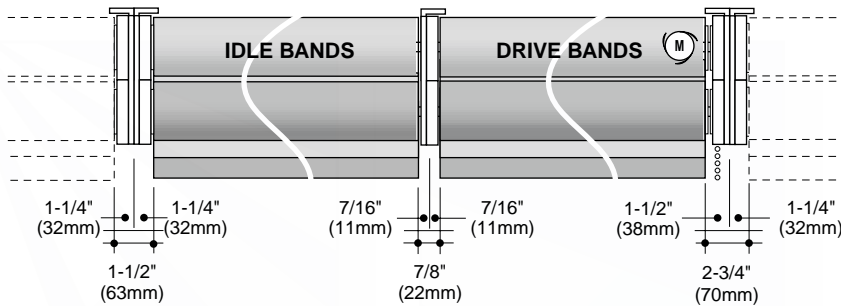


Standard Electro® DoubleShade® 13 and 17 Edge Clearances

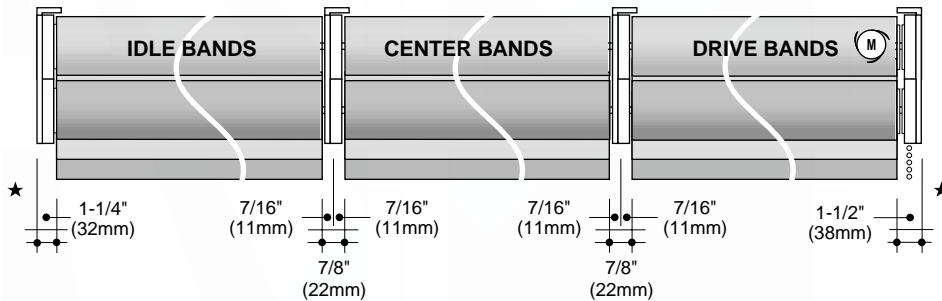
Edge Clearances for a Single-Band DoubleShades #13 and 17



Edge Clearances for a 2-Banded DoubleShades #13 and 17



Edge Clearances for a 3-Banded DoubleShades #13 and 17



Tube and ShadeCloth Deducts

BRACKET COMBINATIONS	SINGLE-BAND SHADE	2-BANDED SHADE		3-BANDED SHADE		
		IDLE BAND	DRIVE BAND	IDLE BAND	CENTER BAND	DRIVE BAND
Tube Deduct	2" (51mm)	1-5/8" (41mm)	1-13/16" (46mm)	1-5/8" (41mm)	1-5/16" (33mm)	1-13/16" (46mm)
Cloth Deduct	2" (51mm)	1-1/2" (38mm)	1-5/8" (41mm)	1-1/2" (38mm)	1-1/16" (27mm)	1-5/8" (41mm)

For RTS Motor Upgrades: increase the Edge Clearance, ShadeCloth Deduct and Tube Deduct by 3/16" (5mm) on the Drive-End only.

For shades with a width to height ratio greater than a 1:3 Ratio add the following to the Edge Clearance and ShadeCloth Deduct:

- **Greater than a 1:3 Ratio:** add 1/8" (3mm)
- **Greater than a 1:4 Ratio:** add 1/4" (6mm)
- **Greater than a 1:5 Ratio:** add 1/2" (13mm)
- **Greater than a 1:6 Ratio:** add 5/8" (13mm)

For Drive or Idle-End Brackets that come in contact with a surface (★): reduce the ratio increase by one-half.

MechoShade Systems, Inc.
42-03 35th Street, Long Island City, NY 11101
Telephone: 718-729-2020
Fax: 718-729-2941 / 800-899-8081

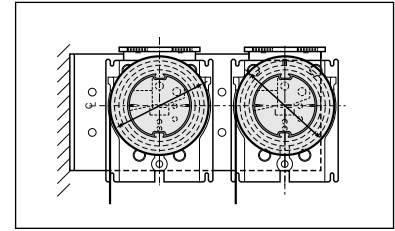
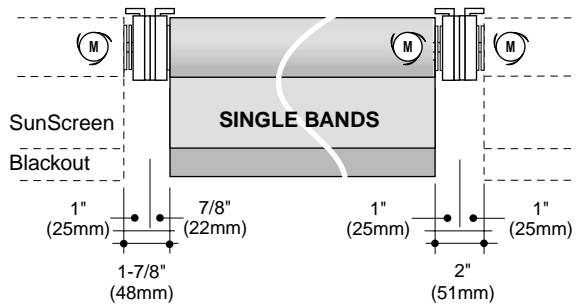
E-mail: info@mechoshade.com
Internet Web Site: www.mechoshade.com

10.13
MS2200 - 6/1/04

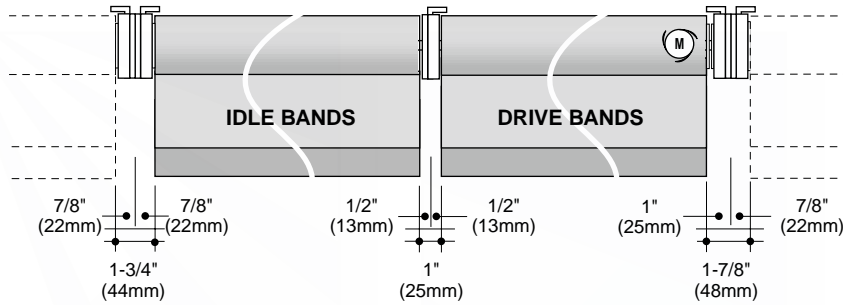


Standard Electro®/3 DoubleShade® 20 Edge Clearances

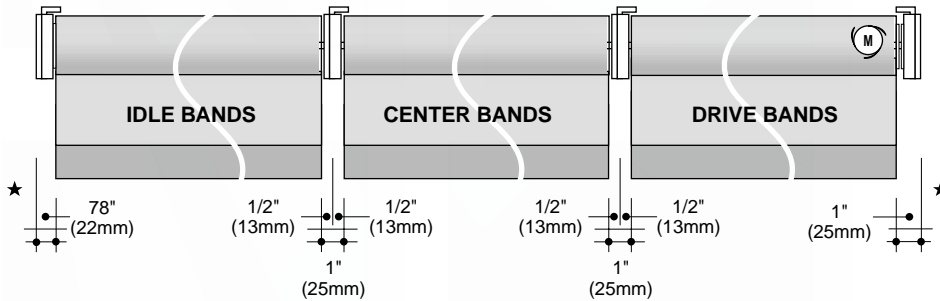
Edge Clearances for a Single-Band DoubleShade #20



Edge Clearances for a 2-Banded DoubleShade #20



Edge Clearances for a 3-Banded DoubleShade #20



Tube and ShadeCloth Deducts

BRACKET COMBINATIONS	SINGLE-BAND SHADE	2-BANDED SHADE		3-BANDED SHADE		
		IDLE BAND	DRIVE BAND	IDLE BAND	CENTER BAND	DRIVE BAND
Tube Deduct	1-7/8" (48mm)	1-1/2" (38mm)	1-5/8" (41mm)	1-1/2" (38mm)	1-1/4" (32mm)	1-5/8" (41mm)
Cloth Deduct	1-7/8" (48mm)	1-3/8" (35mm)	1-1/2" (38mm)	1-3/8" (35mm)	1" (25mm)	1-1/2" (38mm)

For RTS Motor Upgrades: increase the Edge Clearance, ShadeCloth Deduct and Tube Deduct by 3/16" (5mm) on the Drive-End only.

For shades with a width to height ratio greater than a 1:3 Ratio add the following to the Edge Clearance and ShadeCloth Deduct:

- Greater than a 1:3 Ratio: add 1/8" (3mm)
- Greater than a 1:4 Ratio: add 1/4" (6mm)
- Greater than a 1:5 Ratio: add 1/2" (13mm)
- Greater than a 1:6 Ratio: add 5/8" (13mm)

For Drive or Idle-End Brackets that come in contact with a surface (★): reduce the ratio increase by one-half.

MechoShade Systems, Inc.
42-03 35th Street, Long Island City, NY 11101
Telephone: 718-729-2020
Fax: 718-729-2941 / 800-899-8081

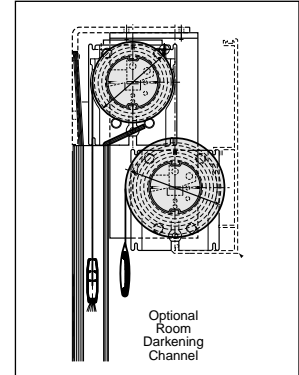
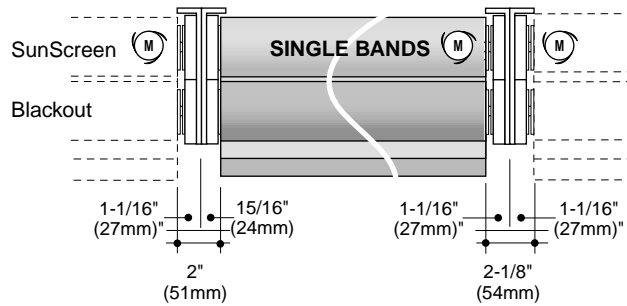
E-mail: info@mechoshade.com
Internet Web Site: www.mechoshade.com

10.14
MS2200 - 6/1/04

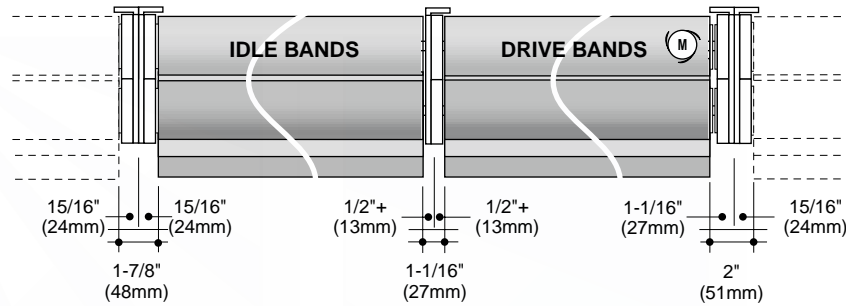


Standard Electro®/3 DoubleShade® 21 Edge Clearances

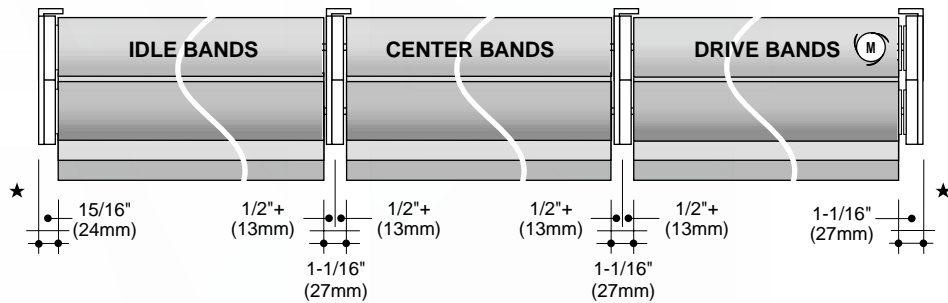
Edge Clearances for a Single-Band DoubleShade #21



Edge Clearances for a 2-Banded DoubleShade #21



Edge Clearances for a 3-Banded DoubleShade #21



Tube and ShadeCloth Deducts

BRACKET COMBINATIONS	SINGLE-BAND SHADE	2-BANDED SHADE		3-BANDED SHADE		
		IDLE BAND	DRIVE BAND	IDLE BAND	CENTER BAND	DRIVE BAND
Tube Deduct	2-7/8" (73mm)	1-15/16" (49mm)	2-1/16" (53mm)	1-15/16" (49mm)	1-1/8" (29mm)	2-1/16" (53mm)
Cloth Deduct	2-3/4" (70mm)	1-11/16" (43mm)	1-15/16" (49mm)	1-11/16" (43mm)	7/8" (22mm)	1-15/16" (49mm)

For RTS Motor Upgrades: increase the Edge Clearance, ShadeCloth Deduct and Tube Deduct by 3/16" (5mm) on the Drive-End only.

For shades with a width to height ratio greater than a 1:3 Ratio add the following to the Edge Clearance and ShadeCloth Deduct:

- Greater than a 1:3 Ratio: add 1/8" (3mm)
- Greater than a 1:4 Ratio: add 1/4" (6mm)
- Greater than a 1:5 Ratio: add 1/2" (13mm)
- Greater than a 1:6 Ratio: add 5/8" (13mm)

For Drive or Idle-End Brackets that come in contact with a surface (★): reduce the ratio increase by one-half.

MechoShade Systems, Inc.
 42-03 35th Street, Long Island City, NY 11101
 Telephone: 718-729-2020
 Fax: 718-729-2941 / 800-899-8081

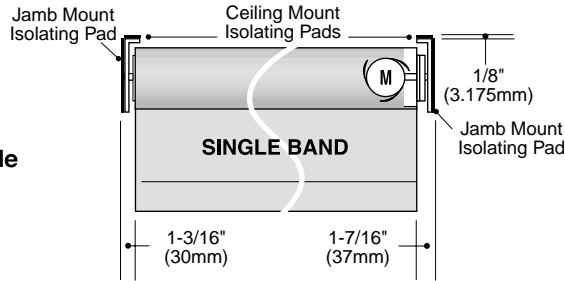
E-mail: info@mechoshade.com
 Internet Web Site: www.mechoshade.com

10.15
MSZ200 - 6/1/04

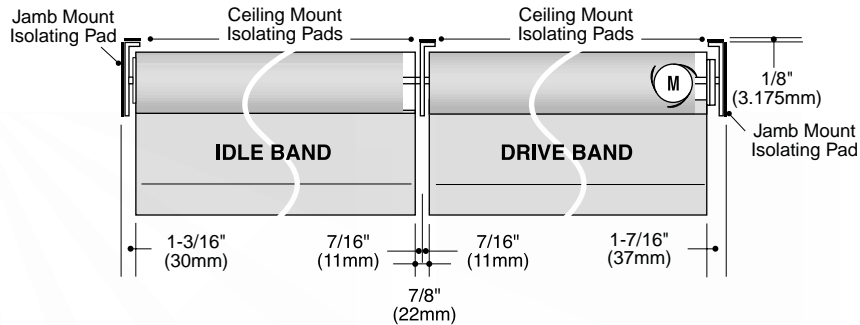


QSS™/QSX™ Electro®/1 and 2 Edge Clearances

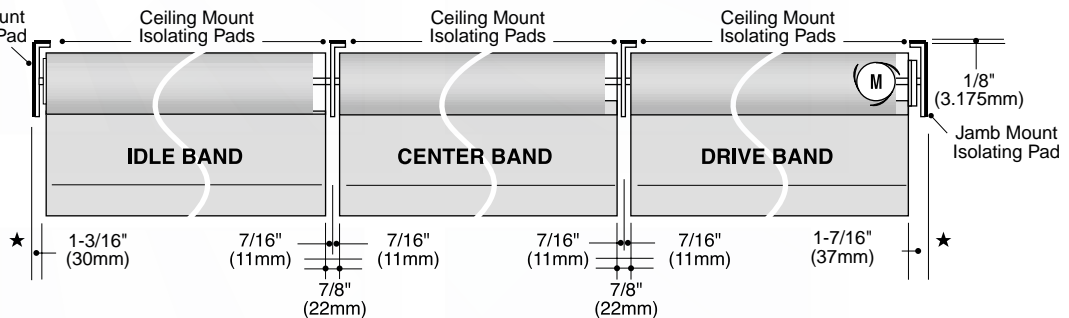
Edge Clearances for a Single-Band shade



Edge Clearances for a 2-Banded shade



Edge Clearances for a 3-Banded shade



Tube and ShadeCloth Deducts

BRACKET COMBINATIONS	SINGLE-BAND SHADE	2-BANDED SHADE		3-BANDED SHADE		
		IDLE BAND	DRIVE BAND	IDLE BAND	CENTER BAND	DRIVE BAND
Tube Deduct	2-7/8" (73mm)	1-7/8" (48mm)	2-1/8" (54mm)	1-7/8" (48mm)	1-1/8" (29mm)	2-1/8" (54mm)
Cloth Deduct	2-5/8" (67mm)	1-5/8" (41mm)	1-7/8" (48mm)	1-5/8" (41mm)	7/8" (22mm)	1-7/8" (48mm)

For QSX or RTS Motor Upgrades: increase the Edge Clearance, ShadeCloth Deduct and Tube Deduct by 3/16" (5mm) on the Drive-End only.

For shades with a width to height ratio greater than a 1:3 Ratio add the following to the Edge Clearance and ShadeCloth Deduct:

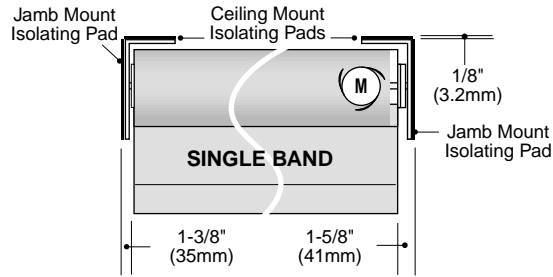
- **Greater than a 1:3 Ratio:** add 1/8" (3mm)
- **Greater than a 1:4 Ratio:** add 1/4" (6mm)
- **Greater than a 1:5 Ratio:** add 1/2" (13mm)
- **Greater than a 1:6 Ratio:** add 5/8" (13mm)

For Drive or Idle-End Brackets that come in contact with a surface (★): reduce the ratio increase by one-half.

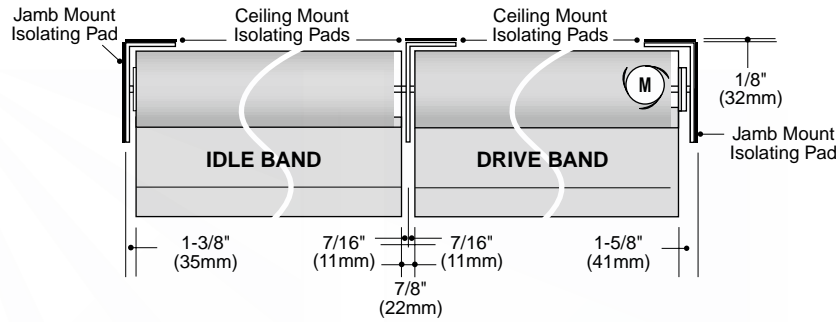


QSS™/QSX™ Extended Electro®/1 and 2 Edge Clearances

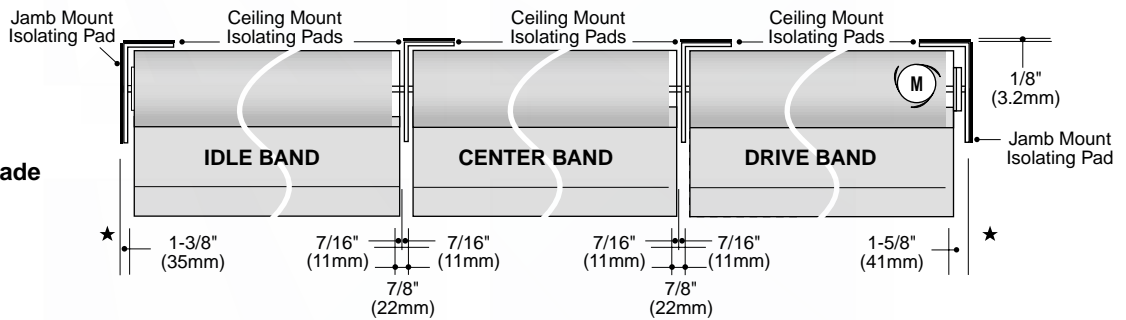
Edge Clearances for a Single-Band shade



Edge Clearances for a 2-Banded shade



Edge Clearances for a 3-Banded shade



Tube and ShadeCloth Deducts

BRACKET COMBINATIONS	SINGLE-BAND SHADE	2-BANDED SHADE		3-BANDED SHADE		
		IDLE BAND	DRIVE BAND	IDLE BAND	CENTER BAND	DRIVE BAND
Tube Deduct	3-1/8" (79mm)	2-1/16" (52mm)	2-3/16" (56mm)	2-1/16" (52mm)	1-1/8" (29mm)	2-3/16" (56mm)
Cloth Deduct	3" (76mm)	1-13/16" (46mm)	2-1/16" (52mm)	1-13/16" (46mm)	7/8" (22mm)	2-1/16" (52mm)

For QSX or RTS Motor Upgrades: increase the Edge Clearance, ShadeCloth Deduct and Tube Deduct by 3/16" (5mm) on the Drive-End only.

For shades with a width to height ratio greater than a 1:3 Ratio add the following to the Edge Clearance and ShadeCloth Deduct:

- Greater than a 1:3 Ratio: add 1/8" (3mm)
- Greater than a 1:4 Ratio: add 1/4" (6mm)
- Greater than a 1:5 Ratio: add 1/2" (13mm)
- Greater than a 1:6 Ratio: add 5/8" (13mm)

For Drive or Idle-End Brackets that come in contact with a surface (★): reduce the ratio increase by one-half.

MechoShade Systems, Inc.
42-03 35th Street, Long Island City, NY 11101
Telephone: 718-729-2020
Fax: 718-729-2941 / 800-899-8081

E-mail: info@mechoshade.com
Internet Web Site: www.mechoshade.com

10.17
MS2200 - 6/1/04



MechoShade® Order Form for Literature & Samples

From: _____ Ship To: _____

Purchase Order No.: _____ Date: _____ Attention: _____

QTY	ITEM	PRICE	SUB TOTAL
-----	------	-------	-----------

Binders:

_____	Architectural/Technical 3-Ring Binder (Red)	@ \$22.00	= \$ _____
_____	Dealer 3-Ring Binder (White)	@ \$10.00	= \$ _____

Brochures:

_____	Sweets Brochure.....	@ \$0.36	= \$ _____
_____	Why Shades Brochure	@ \$0.49	= \$ _____
_____	Corporate Facilities Brochure	@ \$0.63	= \$ _____
_____	Healthcare Facilities Brochure	@ \$0.63	= \$ _____
_____	Institutes of Learning Brochure.....	@ \$0.63	= \$ _____
_____	IQ/MLC™ Brochure – “Time to Start a New Window Management Policy”	@ \$0.61	= \$ _____
_____	ThermoVeil Color sheet – “MechoShade for a Healthier Environment”	@ \$0.34	= \$ _____
_____	AAC SolarTrac™ Brochure	@ \$0.66	= \$ _____
_____	Electro/3 Brochure	@ \$0.36	= \$ _____
_____	Blackout/Room Darkening Brochure.....	@ \$0.54	= \$ _____
_____	Project Lists	@ \$0.65	= \$ _____
_____	ImageShade™ Color Sheet.....	@ \$0.45	= \$ _____
_____	ImageShade™ Technical Bulletin	@ \$0.25	= \$ _____

Pre-assembled kits:

Luncheon Pocket Folder containing:

_____	Sweets, Why Shades, Room Darkening/Blackout Brochures, Project Lists along with technical pages on shadecloth selection and specifications, solar optical properties and blackout channels in a glossy red MechoShade pocket folder.....	@ \$5.26	= \$ _____
-------	---	----------	------------

ThermoVeil® and EuroVeil® Shadecloth Sample Decks and Die Cut Cards

Sample Decks:

_____	ThermoVeil® 0100/0600/0700 Series – Equinox®, MirroFilm, and Blackout ShadeCloth @	\$7.16	= \$ _____
_____	ThermoVeil® 0900/1000/1300/1800/2100 Series – Vertical & Basket Weave.....@	\$6.88	= \$ _____
_____	ThermoVeil® 3000 Series – Diamond and Satin Twill	@ \$2.50	= \$ _____
_____	EuroVeil/EuroTwill 5300/6000 Series – Basket & Twill Weave.....@	\$4.24	= \$ _____
_____	Complete Set of All 4 Decks.....@	\$20.76	= \$ _____

Die Cut Cards:

_____	5 Card Set of ThermoVeil® cards	@ \$8.83	= \$ _____
_____	0600/0700 Series – MirroFilm and Blackout ShadeCloth		
_____	0900 Series – Privacy Weave		
_____	1000/1800 Series – Vertical Weave		
_____	1300/2100 Series – Basketweave		
_____	3000 Series – Diamond and Satin Weave		
_____	EuroVeil® 5300 Series – Basket Weave	@ \$2.31	= \$ _____
_____	EuroTwill® 6000 Series – Twill Weave	@ \$2.68	= \$ _____

(continued on reverse side)

MechoShade Systems, Inc.
 42-03 35th Street, Long Island City, NY 11101
 Telephone: 718-729-2020
 Fax: 718-729-2941 / 800-899-8081

E-mail: info@mechoshade.com
 Internet Web Site: <http://www.mechoshade.com>

10.18
MS2200 - 6/1/04



MechoShade® Order Form for Literature & Samples

Price Lists

_____	Fabricated Shades Price List 2002-2003.....	@	N/C	= \$	_____
_____	GSA Price List	@	N/C	= \$	_____
_____	Component Price List 2003	@	N/C	= \$	_____

Order Forms

_____	Component Order forms (pads).....	@	N/C	= \$	_____
_____	Request for Quote form (pads).....	@	N/C	= \$	_____
_____	MechoShade Fabricated shade Order Form (pads).....	@	N/C	= \$	_____

Video Tapes

_____	Video Tape Presentation (NTSC for USA and Japan).....	@	\$10.00	= \$	_____
_____	Video Tape Presentation (PAL for Pacific-Rim, Australia, Europe).....	@	\$45.00	= \$	_____
_____	Video Tape Presentation (Secam for France and Belgium).....	@	\$45.00	= \$	_____
_____	Slide Presentation (35mm with script, approx. 75 slides).....	@	\$70.00	= \$	_____
_____	Individual Slides (provide list of slides required by subject matter).....	@	\$2.00	= \$	_____

Presentation Samples and Hardware

_____	Mecho®/5 (ThermoVeil™) Hand Sample, 3-1/2" W x 9-1/2" L x 4-1/4" H	@	\$25.00	= \$	_____
_____	Suburban™/2 (ThermoVeil™) Hand Sample, 3" W x 11" L x 3-1/4" H	@	\$20.00	= \$	_____
_____	Soleil® SunScreen™ Hand Sample, 3" W x 11" L x 3-1/4" H	@	\$20.00	= \$	_____
_____	Mecho/5, Soleil and Suburban/2 Hardware mounted in a 24" x 24" wood frame with a Child-Safe Chain Retainer (please specify model)	@	\$165.00	= \$	_____
_____	Mecho/5 Sample with an exposed LightSeal hembar and room darkening side channels, mounted in a 24" x 24" wood frame, with a Child-Safe Chain Retainer ...	@	\$175.00	= \$	_____
_____	Electro/2 Hardware Sample mounted in a 24" x 24" wood frame	@	\$320.00	= \$	_____
_____	Electro/2 Sample, with an exposed LightSeal hembar and room darkening side channels, mounted in a 24" x 24" wood frame.....	@	\$330.00	= \$	_____
_____	Replacement Shadebands for Mecho/5, Soleil and Suburban/2 Hand Samples (please specify model).....	@	\$6.00	= \$	_____
_____	DualShade® Shadebands for Mecho/5, Soleil and Suburban/2 Hand Samples (please specify model).....	@	\$8.00	= \$	_____
_____	Replacement Shadebands for Electro/2, Mecho/5, Soleil or Suburban/2 Hardware mounted in a 24" x 24" wood frame (please specify model).....	@	\$7.00	= \$	_____
_____	Replacement Shadebands for Electro/2, Mecho/5, Soleil or Suburban/2 Hardware mounted in a 24" x 24" wood frame with LightSeal hembar and room darkening side channels (please specify model).....	@	\$8.00	= \$	_____
_____	DualShade Shadebands for Electro/2, Mecho/5, Soleil or Suburban/2 Hardware mounted in a 24" x 24" wood frame (please specify model).....	@	\$12.00	= \$	_____

Hardware Sample Component Boxes

_____	Box #1: MechoShade and ElectroShade Blackout Accessories.....	@	\$9.38	= \$	_____
_____	Box #2: ElectroShade Hardware Components	@	\$9.38	= \$	_____
_____	Box #3: MechoShade Hardware Components.....	@	\$18.75	= \$	_____
_____	Box #4: Suburban Hardware Components	@	\$9.38	= \$	_____
_____	Box #5: Suburban/2 Hardware Components	@	\$9.38	= \$	_____
_____	Box #6: Soleil Hardware Components	@	\$9.38	= \$	_____

Demo Kits

_____	IQ/MLC Demo Kit with 3 motorized shades mounted to a free standing display	@	\$1,500.00	= \$	_____
-------	--	---	------------	------	-------

All shipments are made via UPS Collect.TOTAL NET: US \$ _____

MechoShade Systems, Inc.
42-03 35th Street, Long Island City, NY 11101
Telephone: 718-729-2020
Fax: 718-729-2941 / 800-899-8081

E-mail: info@mechoshade.com
Internet Web Site: <http://www.mechoshade.com>

10.19
MS2200 - 6/1/04



General Terms and Conditions of Sale

I. ACCEPTANCE OF ORDERS

All buyer's orders must include Buyer's Purchase Order and MECOSHADE SYSTEMS, INC. (MSS) Order form and be signed by Buyer. MSS is not bound by any terms listed on the Buyer's Order form which are in variance with MSS's Terms and Conditions of Sale.

Upon receiving MSS's Order Acknowledgment, buyer is considered to have accepted the order as written and has agreed to MSS's Terms and Conditions of Sale. No order, quotation or acknowledgments and no provisions of MSS's Terms and Conditions of Sale shall be subject to change in any respect, except as may be expressly agreed to in writing by an authorized officer of MSS. Failure of MSS to object to provisions contained in any Purchase Order or other communication from a Buyer in conflict or inconsistent with MSS's Terms and Conditions of Sale (including without limitation penalty clauses or labor charges) shall not be construed as a waiver of these Terms and Conditions of Sale, nor an acceptance of any such conflicting or inconsistent provisions.

The Terms and Conditions herein constitute the entire Agreement between MSS and Buyer. No other representations or warranties shall be binding against MSS. In no event shall MSS be responsible or liable for any special, direct, or consequential damages arising out of this Agreement with Buyer.

These conditions of sale do not constitute a franchise or establish an agency relationship and do not grant a trademark or any other expressed or implied license.

An order is accepted as being complete only after receipt of all the following and are subject to acceptance by an officer of MSS:

- 1) A signed Purchase Order reflecting quantity, price, all details, and final dimensions for fabrication (if required).
- 2) A deposit (if required)
- 3) Credit approval
- 4) Approved shop drawings and seam and/or batten diagrams (if applicable)
- 5) Buyer is required to provide all necessary details, and information to MSS for the proper fabrication of the Buyer's order.

II. PRICES

Prices are for materials only and do not include installation or any federal, state or local taxes. Prices and specifications are subject to change without notice. Written quotations expire 90 days from the date of the quotation, unless otherwise specified. In the event that the Buyer wants to postpone the delivery date of a previously accepted order, MSS on its sole discretion reserves the right to Bill & Hold.

Payment is due in accordance with sale terms shipped or unshipped. If MSS agrees in writing to a postponed delivery date, then the price that will apply to this Order shall be the price in effect on the postponed shipping date.

III. CANCELLATION

All Orders are custom in nature and are Non-Cancelable. In the event MSS agrees in writing by an authorized officer to cancellation of an order prior to fabrication, said order shall be subject to a minimum 2% to 50% cancellation and restocking charge. Special order and non-standard items shall be paid for in full at quoted price.

IV. TERMS OF PAYMENT

Terms of payment are the Net amount payable within 30 days and 1.5% per month may be charged for late payment, as specified in MSS's Order Acknowledgment and in MSS's Invoice, regardless of terms indicated in the Buyer's Order Form or other documents. Any out-standing balances unpaid on the due dates shall be subject to payment of an interest charge until paid at the maximum legally permissible rate of interest in the State having jurisdiction of the transaction.

In event of substantial changes in the financial condition of the Buyer's Company including but not limited to, bankruptcy, change of ownership, change in credit rating, MSS reserves the right to cancel the Purchase Order without any liability for damages to the Buyer and/or change credit terms to the company and/or request a deposit or full payment in advance. A change in stock ownership of the company of facts credit and shall require submitting for credit approval as a new company.

V. DELIVERY

MSS will use best efforts to ship within committed time frame from receipt of all dimensions and approvals. All shipments are Point of Shipment, freight collect or prepay and charge as determined by MSS. MSS shall specify Point of Shipment on its Order Acknowledgment, and MSS shall select billing, routing and method of transportation if not specified on Customer's Purchase Order.

Claims for loss or damaged shipments should be reported immediately to both the carrier and MechroShade, and annotations shall be placed on all delivery receipts signed by the Buyer. The Buyer shall inspect the merchandise upon delivery and in the event defects or damages should be noticed after delivery, both the carrier and MechroShade shall be immediately contacted by telephone and, if the carrier fails to send an Inspector within 5 days, a request should be made in writing to the carrier, confirming the telephone request for an inspection.

Should the Buyer, in the first instance, fail to properly file a claim with the carrier, substantiated in accordance with its rules and within its time-limit, any possibility of claim for defect against MSS is waived.

VI. SHIPPING DELAYS

Unless otherwise specified by MSS, shipping dates provided by MSS at the request of the Buyer are approximate; deviation from estimated shipping schedules shall not entail penalties or damages; nor shall it be an acceptable ground for cancellation of the order. MSS shall not be responsible for any loss or damages to Buyer (or any Third Party) occasioned by the non-performance of any of MSS's obligations under the contract when due to any cause beyond MSS's reasonable control, including without limitation an act of God, act or omission of the Buyer, embargo or other governmental act or delays in transportation, inability to obtain necessary labor, material or manufacturing facilities.

VII. WARRANTY

MSS warrants to the original purchaser that its products are free of manufacturing defects in factory materials or workmanship for the following specified warranty periods:

Hardware and ShadeCloth:

- ¥ Lifetime from date of shipment for the Mechro/5 System.
- ¥ 10 years from date of shipment for the Mechro/3 System.
- ¥ 10 years from date of shipment for any ElectroShade System.
- ¥ 5 years from date of shipment for the Suburban/2 System.

Mtars:

- ¥ 5 years from date of shipment for ElectroShade products.
- ¥ 1 year from date of shipment for Suburban/2 products.

Electrical and Electronic Accessories:

- ¥ 5 years from date of shipment for ElectroShade products.
- ¥ 1 year from date of shipment for Suburban/2 products.

Beed drain in the manual system is a fail safe element and is not warranted.

If any part of an MSS product (except for the beed drain) is found in the reasonable judgment of MSS to be defective in factory materials or workmanship during the above-prescribed warranty periods, MSS will repair or replace the defective part. Repair or replacement under this warranty does not include labor or costs for installation, reinstallation, or removal of MechroShade products, parts or components. This warranty extends only to the original purchaser for MSS products installed by an authorized MechroShade dealer representative with a valid written dealer representative agreement with MechroShade Systems, Inc. The MechroShade®/5 System Lifetime Limited Warranty is void unless the warranty card is filled out and returned to MSS within 120 days of shipment.

This warranty does not apply if any of the following exclusions exist:

- ¥ The product has been subject to misuse, abuse, neglect, negligence, accident, or has been operated in any way contrary to MSS operating instructions or specifications.
- ¥ Damages or conditions that have resulted from improper cleaning, maintenance, care or repair of the product.

Continued 

MechoShade Systems, Inc.
42-03 35th Street, Long Island City, NY 11101
Telephone: 718-729-2020
Fax: 718-729-2941 / 800-899-8081

E-mail: info@mechoshade.com
Internet Web Site: <http://www.mechoshade.com>

10.20
MS2200 - 6/1/04



General Terms and Conditions of Sale

- ¥ Any loss of color intensity due to exposure to the sun, salt, or chemicals.
- ¥ The product has been improperly installed.
- ¥ MSS's written instructions for installation and wiring of electrical connections were not followed.
- ¥ The product has been used to perform functions or operated in a manner contrary to its design or otherwise is used in a manner contrary to or in excess of MSS's specifications, drawings, or instructions.
- ¥ The product is used with electrical accessories or parts, including switches, relays, or other accessory components, that have not been previously approved in writing by the MSS Engineering Department.
- ¥ If any electrical accessories and other components have been used in disregard to the basic wiring diagram for which they were designed.
- ¥ Failure to comply with all MSS's written instructions and specifications.
- ¥ Repairs made necessary from normal wear of the product or by use of parts or accessories which are either incompatible with the product or otherwise adversely affect its operation, performance, or durability.

MSS reserves the right to change or improve the design of any MechoShade product without assuming any obligation to modify or retrofit any product previously manufactured.

THE FOREGOING WARRANTIES ARE EXCLUSIVE AND IN LIEU OF ALL OTHER WARRANTIES, WHETHER WRITTEN, ORAL OR IMPLIED (INCLUDING ANY IMPLIED WARRANTY OF MERCHANTABILITY, FITNESS FOR A PARTICULAR PURPOSE, OR OTHERWISE). MSS SPECIFICALLY DISCLAIMS ALL OTHER EXPRESS OR IMPLIED WARRANTIES, INCLUDING MERCHANTABILITY, FITNESS FOR A PARTICULAR PURPOSE, OR OTHERWISE IN THEIR ENTIRETY. MSS'S OBLIGATION UNDER THIS WARRANTY IS STRICTLY AND EXCLUSIVELY LIMITED TO THE REPAIR OR REPLACEMENT OF DEFECTIVE PARTS AS HEREIN DESCRIBED, AND MSS DOES NOT ASSUME OR AUTHORIZE ANYONE TO ASSUME FOR MSS ANY OTHER OBLIGATION, WHETHER WRITTEN, ORAL OR IMPLIED.

MSS ASSUMES NO RESPONSIBILITY AND SHALL NOT BE LIABLE FOR ANY PERSONAL INJURY, LOSS, OR DAMAGE, WHETHER DIRECT, INCIDENTAL, OR CONSEQUENTIAL, INCLUDING BUT NOT LIMITED TO THE LABOR OR COSTS RELATED TO THE REPLACEMENT OF A DEFECTIVE PRODUCT OR PARTS OR INSTALLATION, REINSTALLATION, OR REMOVAL OF SUCH PRODUCT OR PARTS, EXPENSE OF RETURNING A PRODUCT OR PART TO MSS OR ITS AUTHORIZED DEALER OR THE EXPENSE OF DELIVERING IT BACK TO THE ORIGINAL PURCHASER, LOSS OR DAMAGE TO PERSONAL OR REAL PROPERTY, LOSS OF REVENUE, LOSS OF THE USE OF THE PRODUCT, LOSS OF TIME, OR INCONVENIENCE.

This warranty gives the original purchaser specific legal rights, and the original purchaser may also have other rights which vary from state to state.

All costs related to installation and reinstallation of the MSS equipment covered by this warranty are not the responsibility of MSS. MSS will not be responsible for any consequential damages during or following installation procedures.

Before using, the buyer and/or the ultimate user shall determine that the product is suitable for the intended application, and user assumes all risks and liability in connection therewith. Product specifications can be obtained by contacting MechoShade or an authorized MechoShade dealer.

This Warranty may only be changed or modified with the express written consent of a MechoShade Systems, Inc. corporate officer so authorized. Any removals, modifications or changes to the system due to changes in the tenant occupancy must be reviewed and approved by MechoShade Systems, Inc. and work performed by an authorized MechoShade representative pursuant to a valid written dealer representative agreement with MechoShade Systems, Inc.

If the buyer resells any MSS products, it shall include all the terms and provisions of this warranty in such resale.

MSS's responsibility to any such Third Party shall be no greater than MSS's responsibility under the warranty to the original Buyer.

VIII. RETURNS

No returns will be accepted without prior written authorization by MSS. All returns must be accompanied by a Return Authorization Number issued by MSS, and all unauthorized returns will be refused. The return shipment is to be freight prepaid by the Buyer, and under no circumstances shall the buyer deduct the value of the returned merchandise from any remittance due.

IX. TITLE

Risk of loss on all products shall pass to the Buyer at the Ex-works, Point of Shipment. However, MSS shall retain a security interest in the products until fully paid and the buyer agrees to perform all acts which may be necessary to perfect and assure the security interest in such equipment by MSS. In the event that MSS wishes to file a security interest in the products, pursuant to the Uniform Commercial Code, the Buyer authorizes MSS to file such financing statements without the Buyer's signature.

X. DEFAULT

In the event of Buyer's default in payment for the products purchased hereunder upon the terms and conditions agreed upon with MSS, to the extent permissible under New York State Law, Buyer shall be responsible for all reasonable costs and expenses incurred by MSS in collecting any sums owed by Buyer, and MSS shall not be obligated to make any further deliveries to Buyer.

XI. SUBSTITUTES

MSS may furnish substitutes for materials not obtainable because of priorities or regulations established by governmental authorities or because of non-availability of materials from suppliers, provided such substitutes will not affect the technical soundness of the product or its performance.

XII. ERRORS

Typographical or clerical errors in price lists, quotations, specifications, printed documents or publications, orders or acknowledgments are subject to change or correction and may be changed without notice.

XIII. DIMENSIONS

The dimensions and measurements in our printed documents are approximate at the date of publication and may be superseded thereafter. Buyer should consult factory before utilizing such information. All specifications shall be subject to change without notice.

XIV. WAIVER

The failure of MSS to seek redress for any breach or violation of, or to insist upon the strict performance of any covenant or condition of this agreement shall not operate as a waiver of any subsequent breach or violation. The receipt by MSS of any payment with knowledge of the breach of any covenant of this agreement shall be deemed to have been waived by MSS unless such waiver be in writing signed by MSS.

XV. APPLICABLE LAW

The laws of the State of New York shall govern the interpretation of the provisions of this agreement.

XVI. ARBITRATION

In the event of a dispute, resolution shall be through binding arbitration in N.Y.C. under National or International rules of the American Arbitration Association with one (1) arbitrator. In event the claim is in excess of \$100,000 three (3) arbitrators shall be selected by the parties. All arbitration costs shall be shared by the parties.

Company: _____

Acknowledged/Agreed by: _____

Date: _____

MechoShade Systems, Inc.
42-03 35th Street, Long Island City, NY 11101
Telephone: 718-729-2020
Fax: 718-729-2941 / 800-899-8081

E-mail: info@mechoshade.com
Internet Web Site: <http://www.mechoshade.com>

10.21
MS2200 - 6/1/04



