

# Hunter Douglas

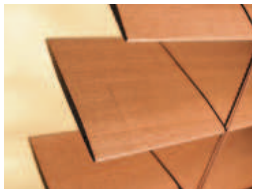
Install. Operate. Care.

Standard HeadMaster™ System  
LiteRise® Cordless System

Wood Blinds      Alternative Wood Blinds      2" Aluminum Blinds



Thank you for your purchase. By selecting a horizontal blind for your window, you now have maximum versatility in light control. Set the mood of your room just by tilting or lifting the slats. Tilt them closed for privacy or open for a bright, airy feel. Hunter Douglas offers the highest quality products in three material options – wood, alternative wood or aluminum – perfect for any room, style or budget.



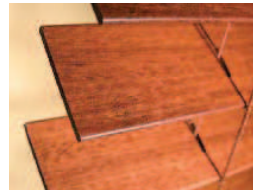
**WOOD**

*As pure and beautiful as light.*

Make a statement with the beauty of real wood, a renewable resource. Crafted from the finest hardwoods and finished with TopShield™ II, our exclusive coating for greater durability, Country Woods® wood blinds are ideal for homeowners looking to make a wise investment. You will appreciate the natural warmth our wood blinds bring to your home.

**A Note About Your Wood Blinds**

Each blind is truly a unique work of nature. Its beauty lies in a variety of natural elements consisting of distinctive grain patterns, natural color variations and distinguished markings. These characteristics are considered acceptable and serve to confirm the authenticity of the wood.



**ALTERNATIVE WOOD**

*The look of wood. The feel of perfection.*



With EverWood® Collection alternative wood blinds, you never compromise style for practicality. Guaranteed not to fade, yellow, warp or bow, our blinds are perfect for windows exposed to moisture, humidity and sun. Our material is specially engineered, so whether you've owned them for seven days or seven years, your blinds will always look beautiful. Our exclusive TruGrain® finishes also provide the most realistic stain finish available in alternative wood.



**ALUMINUM**

*Modern classics for the luster of life.*

Express yourself with a multitude of finishes in every hue imaginable. Built from our exclusive spring-tempered alloy, Modern Precious Metals® aluminum blinds are built for durability and are perfect for contemporary décors and high-traffic households. Choose from a variety of slat sizes and styles, including Reveal™ with MagnaView™, the revolutionary product that provides twice the view-through of a standard blind when tilted open.

# Hunter Douglas Horizontal Blinds




## Table Of Contents

|                                |    |
|--------------------------------|----|
| Mount The Brackets.....        | 4  |
| Install The Blind.....         | 7  |
| Complete The Installation..... | 9  |
| Operate The Blind.....         | 13 |
| Child Safety.....              | 14 |
| Troubleshooting.....           | 15 |
| Care And Cleaning.....         | 15 |

## Tools needed for installing your blind:

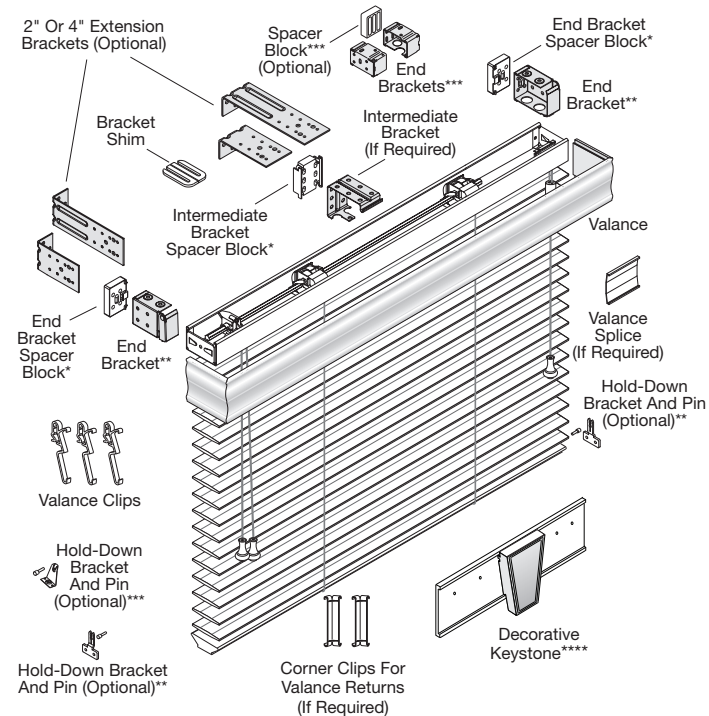
- Flat blade screwdriver
- Phillips screwdriver
- Level
- Power drill, drill bits and 1/4" hex bit socket (or socket wrench with 1/4" hex socket)
- Measuring tape
- Pencil

In addition, you will need fasteners designed to work with your specific mounting surfaces:

| Mounting Surface | Fastener   |
|------------------|--|
| Wood             | No. 6 Hex Head Screws (Provided)               |
| Drywall, Plaster | Wall Anchors, Expansion Bolts (Not Provided)  |
| Metal            | Sheet Metal Screws (Not Provided)            |

## Getting Started

- Remove the blind from the package. Keep the packaging until the blind operates to your satisfaction.
- Check the diagram on the opposite side for all necessary parts.
- Contents of your hardware package may vary depending upon the options chosen.
- To remove wrinkles from your decorative tapes after installation, use a hand-held steamer (see page 15 for more details).



\*Required with 2 1/2" and 2 5/8" slat sizes; optional with 2" slat size

\*\*2", 2 1/2", 2 5/8" slat sizes

\*\*\*1", 1 3/8" slat sizes

\*\*\*\*Wood blinds only; required if valance or cornice is over 96"; optional if under 96"

# 1 Mount The Brackets

## Mounting Options

The installation brackets may be *inside mounted*, *outside mounted* or *ceiling mounted*. In all cases, level mounting is essential.

- With inside mounts and ceiling mounts, use a level to check that the mounting surface is level. Shim the brackets, if necessary.
- With outside mounts, the tops of the brackets must be level and aligned at the same height.
- For wider blinds, intermediate brackets are required for both inside and outside mounts (see charts below).

### Wood Blinds and Alternative Wood Blinds

| Width of Blind                         | Intermediate Brackets |
|--|-----------------------|
| 6" - 48"                               | 0                     |
| 48 <sup>1</sup> / <sub>8</sub> " - 60" | 1                     |
| 60 <sup>1</sup> / <sub>8</sub> " - 96" | 2                     |

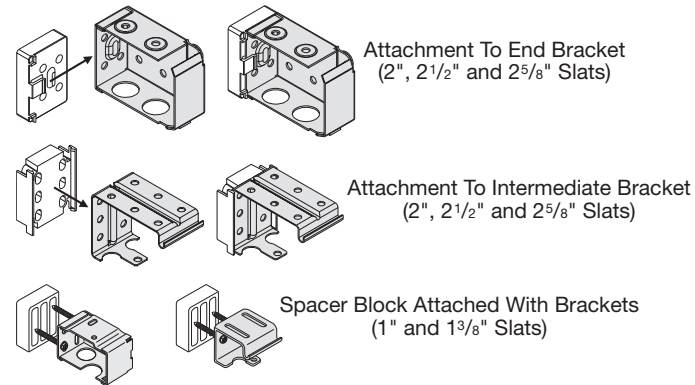
### Aluminum Blinds

| Width of Blind                          | Intermediate Brackets |
|---|-----------------------|
| 12" - 72"                               | 0                     |
| 72 <sup>1</sup> / <sub>8</sub> " - 96"  | 1                     |
| 96 <sup>1</sup> / <sub>8</sub> " - 144" | 2                     |

## Spacer Blocks (2<sup>1</sup>/<sub>2</sub>" and 2<sup>5</sup>/<sub>8</sub>" Slat Sizes)

- Attach a spacer block to each of the two end brackets.
- If one or more intermediate brackets is required (see chart above), attach a spacer block to each intermediate bracket.
- If extension brackets will be used, do not attach spacer blocks.

NOTE: Spacer blocks are optional for 1", 1<sup>3</sup>/<sub>8</sub>" and 2" slat sizes.



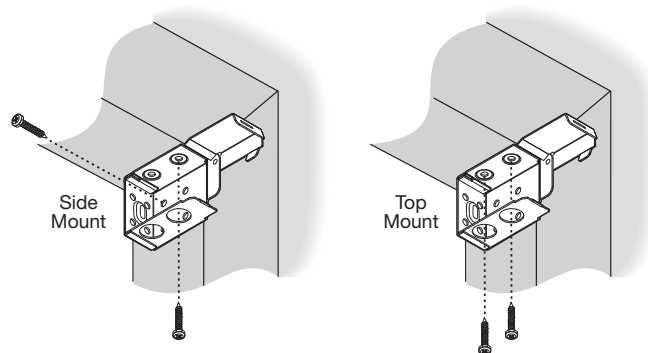
## Inside Mount and Ceiling Mount Applications

### Attach End Brackets

With inside mounts or ceiling mounts, attach the two end brackets flush against the sides of the window casement or the ceiling. Choose the most appropriate of the following four mounting methods:

- Side mount the brackets with one screw through a side hole and one screw through a top hole, as shown at the top of the next page.
- If the brackets are flush with the back wall, attach them with one screw through a top hole and one through a rear hole.
- Top mount the brackets with screws through the two top holes.
- If limited mounting depth is available, the bracket may be mounted with two screws through diagonal side holes.

**NOTE:** For blinds with 2<sup>1</sup>/<sub>2</sub>" or 2<sup>5</sup>/<sub>8</sub>" slats, spacer blocks are used with inside mounts to position the brackets a minimum of 3/8" from the glass. This prevents the slats from rubbing the glass when they are tilted open.



### Specialty Shapes (Sloped Headrail)

- Only the top of each bracket can be flush against the casement.
- Top mount the brackets with screws through the two top holes.

### Intermediate Brackets (If Required)

Evenly space the intermediate bracket(s) between the two end brackets.

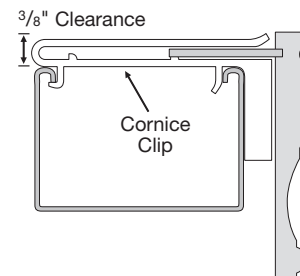
- Adjust spacing if needed to avoid interference with internal headrail mechanisms.
- Attach with two screws through diagonal holes.
- The backs of the end brackets and intermediate bracket(s) must align.

**NOTE:** With ceiling mounts, you may need to add a bracket shim to allow clearance for the valance clips.

### Bracket Shims

In addition to being used to gain clearance for valance clips with ceiling mounts, bracket shims are needed to add top clearance when a valance with optional dust cover is used and the blind is inside mounted, but the headrail is not fully recessed. (If the headrail is fully recessed or ceiling mounted, the optional dust cover would not be ordered.)

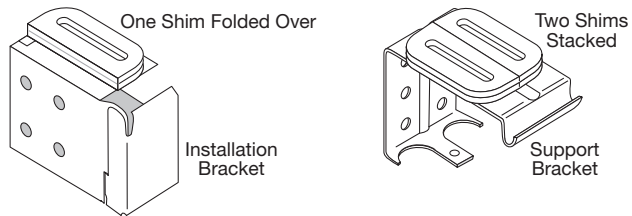
An additional 3/8" of clearance is needed to accommodate the height of the cornice clips, as shown in the illustration.



To gain this clearance, use the bracket shims included with your order (one for each installation bracket and two for each support bracket).

- With each installation bracket, first fold the shim and then position it on top of the bracket to gain the required clearance.
- With each support bracket, stack two unfolded shims.

## Mount The Brackets



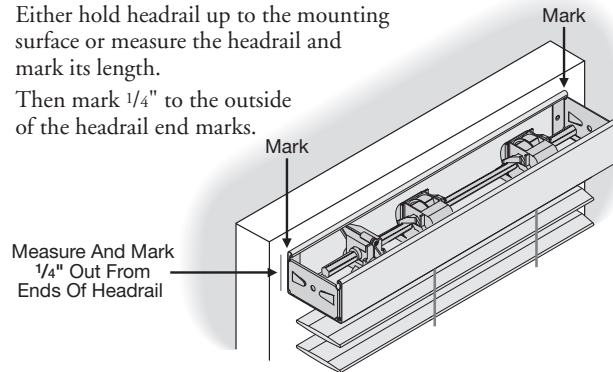
**NOTE:** Bracket shims may also be used whenever the mounting surface is uneven in order to mount the blind level.

### Outside Mount Applications

A flat vertical surface at least 1 $\frac{3}{4}$ " high is required for bracket attachment.

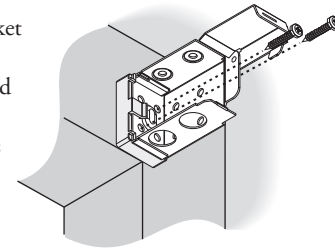
#### Mark End Bracket Locations

- Mark where ends of headrail will be located.
- Either hold headrail up to the mounting surface or measure the headrail and mark its length.
- Then mark  $\frac{1}{4}$ " to the outside of the headrail end marks.



#### Attach End Brackets

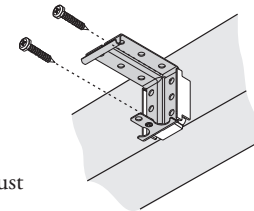
- Align the outside edge of each bracket with the outer marks.
- The tops of brackets must be aligned at the same height.
- Attach the brackets with two screws through diagonal holes.



#### Intermediate Brackets (If Required)

Evenly space the intermediate bracket(s) between the end brackets.

- Adjust spacing if needed to avoid interference with internal headrail mechanisms.
- The top of each intermediate bracket must align with the tops of the end brackets.
- Attach the bracket(s) with two screws through diagonal holes.

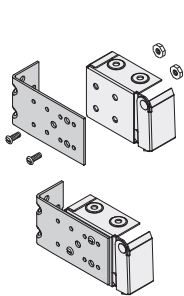


## 2 Install The Blind

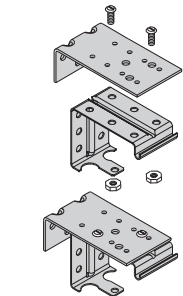
### Extension Brackets (Optional)

Attach 2" or 4" extension brackets to the mounting surface in the same locations where the end brackets and intermediate brackets would be attached.

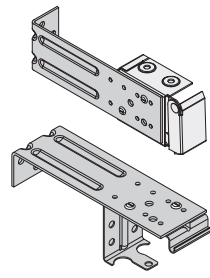
- Align and level extension brackets using a level.
- Use two screws to mount each extension bracket.
- Attach the installation brackets to the extension brackets using the screws and nuts provided, as shown below.



End Bracket With  
2" Extension Bracket



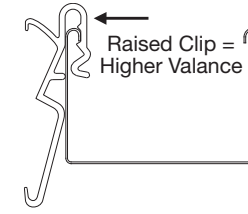
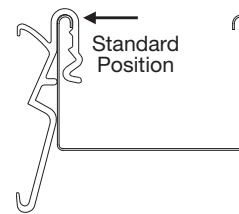
Intermediate Bracket  
With 2" Extension Bracket



End And Intermediate Brackets  
With 4" Extension Bracket

### Valance Clips

- Attach valance clips 2" from each end of the headrail.
- Space additional clip(s) evenly between the two end clips so that the valance clips are no more than 36" apart.
- Do not place the valance clips where they could interfere with any working parts.
- If desired, the valance may be positioned 1/4" higher by pushing the clips only one notch down, as shown in the illustration below.

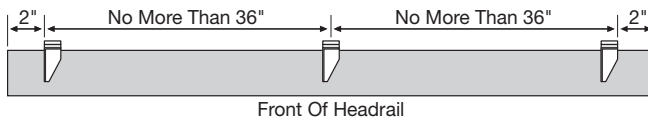


## Install The Blind

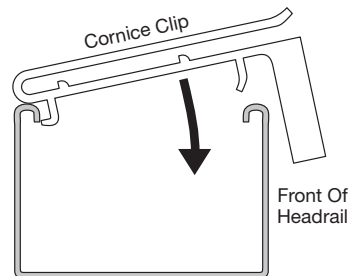
### Cornice Clips – Wood Blinds Only

Cornice clips are used instead of valance clips when the valance has a dust cover.

- Attach a cornice clip 2" from each end of the headrail.
- Space additional clip(s) evenly between the two end clips so that the cornice clips are no more than 36" apart.

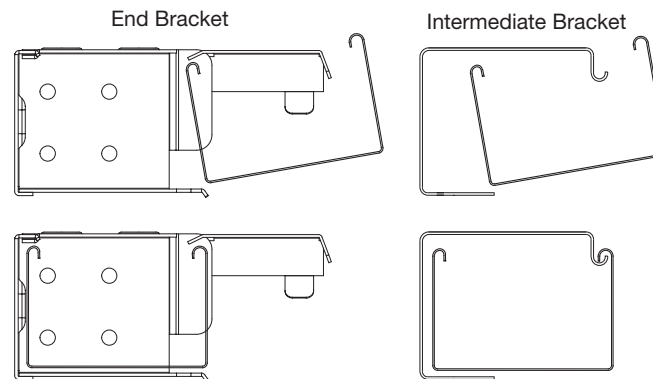


- To attach the cornice clips, hook the back of the clip to the rear lip of the headrail.
- Push the clip down until it snaps securely in place.



### Mount the Headrail

- Tilt headrail so that its back lip slides under the front lip of the end brackets and intermediate bracket(s).
- Push headrail against the back of the end brackets.
- Check that the front lip of the intermediate bracket(s) is under the front lip of the headrail.

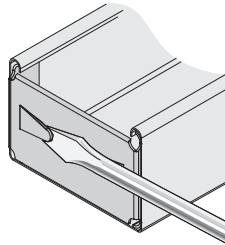


## 3 Complete The Installation

### Adjust Headrail Tightness

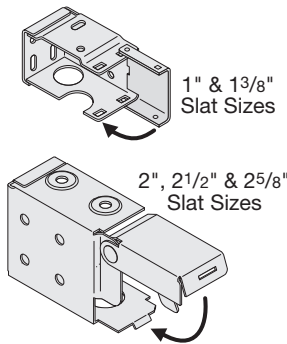
- If the headrail is loose in the end brackets, bend the tabs on the end plates outward.

**NOTE:** The tabs may also be bent inward if the headrail is difficult to install into the end brackets.



### Close End Brackets

- *1" and 1<sup>3</sup>/<sub>8</sub>" slat sizes:* Close the cover to the side until it snaps securely in position.
- *2", 2<sup>1</sup>/<sub>2</sub>" and 2<sup>5</sup>/<sub>8</sub>" slat sizes:* Push the cover down until it snaps over the locking tab on the bottom of the bracket.

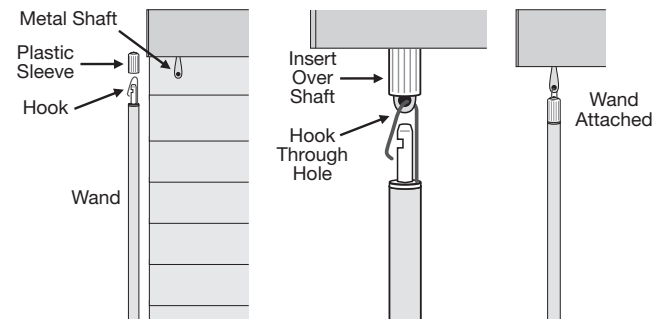


### Attach the Wand (If Ordered)

If the blind was ordered with a wand tilter, attach the wand to the metal shaft.

**NOTE:** Wands may appear different from the illustration, but assembly is the same.

- Pull the plastic sleeve from the top of the wand and insert it over the metal shaft.
- Insert the hook on the wand through the hole in the metal shaft.
- Slide the plastic sleeve down over the hook until firmly seated.
- Test the wand tilter. Approximately six revolutions of the wand should tilt the slats from fully closed up to fully closed down.

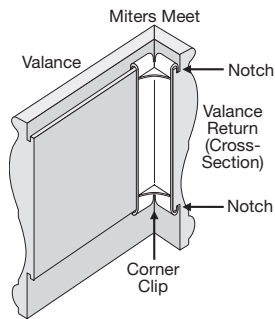


## Complete The Installation

### Attach the Valance Returns, If Necessary

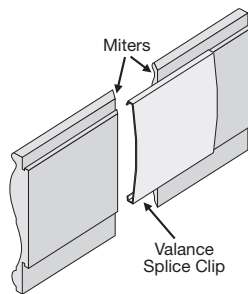
If the valance came with returns and they are not already attached, connect the returns to the valance using the corner clips provided.

- The notches on the rear of the valance and returns fit into the grooves of the corner clips.
- Slide one end of each clip onto the rear of the valance until the center of the clip aligns with the edge of the miter cut at each end.
- Slide a return onto each corner clip until its miter is flush against the miter on the valance.



### Splice Valances

For valances that are spliced, and did not come with a decorative keystone, adjoin the two mitered valance pieces together by sliding the valance splice clip on to the back of the valance where the two halves meet.

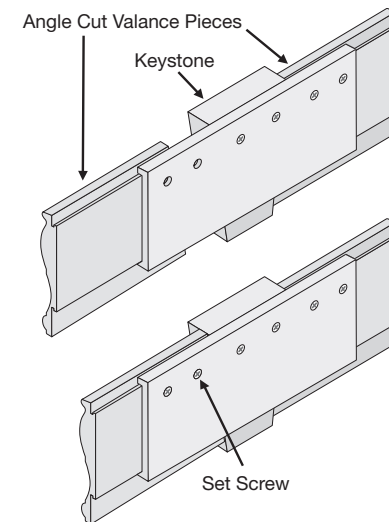


### Decorative Keystone

#### Wood Blinds Only

If a decorative keystone was ordered, splice it to the two angled valance pieces.

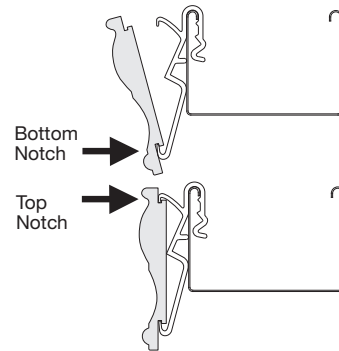
- Firmly press the two pieces together. Anchor them in position using the provided set screws. Secure the screws into the back of the valance through the holes in the keystone.
- Repeat the procedure for the other angle cut valance piece.



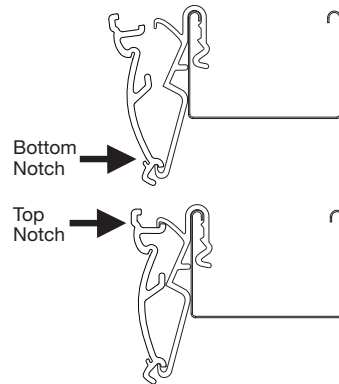
## Attach the Valance (No Dust Cover)

- Tilt the valance to insert its bottom notch into the bottom part of the valance clip.
- Pulling the valance slightly downward, insert the top notch of the valance into the clip, as shown.
- To remove the valance, gently pull the valance downward to release it from the top of the valance clips. Rotate the top of the valance toward you. Lift up the valance to release it from the bottom of the valance clips.

### Wood Blinds and Alternative Wood Blinds



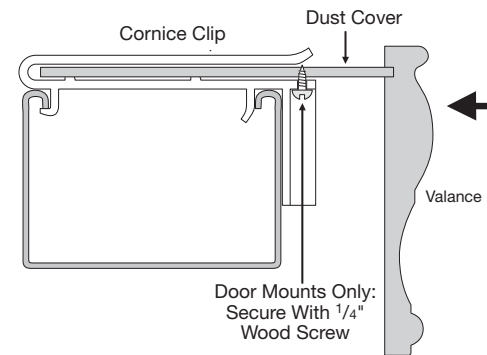
### Aluminum Blinds



## Attach the Valance (With Dust Cover)

### Wood Blinds Only

- Slide the valance dust cover onto the cornice clips, as shown in the illustration.
- If the blind is mounted to a door, secure the dust cover with a 1/4" wood screw through the slot in the cornice clip.



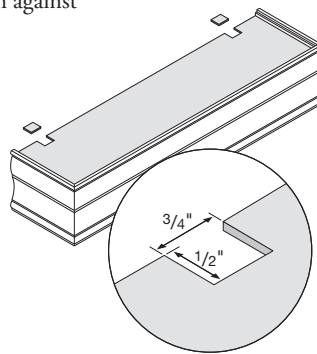
## Complete The Installation

### Notch the Dust Cover (2<sup>5</sup>/<sub>8</sub>" Outside Mounts Only)

#### Wood Blinds Only

When spacer blocks are used to provide clearance for 2<sup>5</sup>/<sub>8</sub>" slats, the valance dust cover must be notched to allow the valance returns to be flush against the wall.

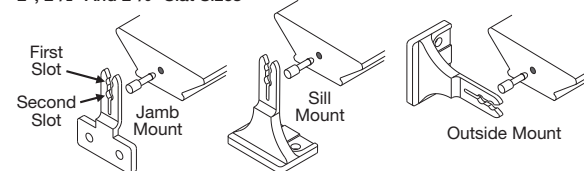
- Mark the location of the cornice clips on the dust cover.
- Use a utility knife to notch the rear of the dust cover where the dust cover will fit onto the cornice clips.
- The notch should be 1/2" deep and 3/4" wide, as shown at right.



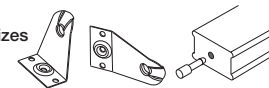
### Attach Hold-Down Brackets (Optional)

- Drill a 1/8" hole centered in the ends of the bottom rail for wood and alternative wood blinds. For aluminum blinds, push out the perforated pin plug from each bottom rail end cap using a ballpoint pen or similar pointed object.
- Insert a hold-down pin into each hole. Push the head of the pin against a flat surface to seat it, or tap in place with a hammer.
- To mount the hold-down brackets, first fully lower the blind. Align the hold-down brackets with the pins in the bottom rail.
  - Align the first slot with 2 1/2" and 2 5/8" slat sizes.
  - Align the second slot with 2" slat sizes.
  - Place the pin in the slot hole with 1" and 1 3/8" slat sizes.

#### 2", 2 1/2" And 2 5/8" Slat Sizes



#### 1" And 1 3/8" Slat Sizes



- Maintain the correct slot alignment as you attach the hold-down brackets to the jamb, sill or outside mounting surface.
- Slide the hold-down pins into the appropriate slot on the brackets.
- If necessary with 2" outside-mounted blinds, the first slot of the hold-down brackets may be used in place of a spacer block.

## 4 Operate The Blind

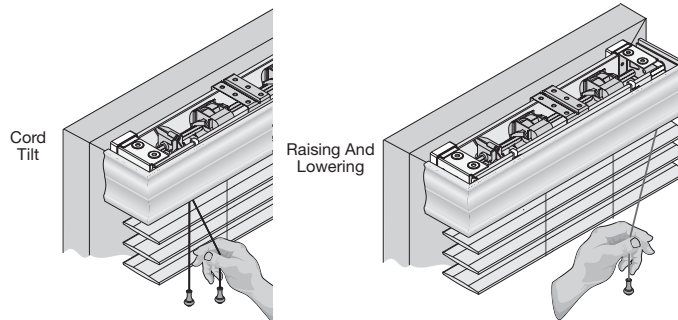
### Tilting the Slats

- **Wand tilt:** Rotate the wand to tilt the slats to the desired angle.
- **Cord tilt:** The two cords with individual tassels are for tilting the slats. Each cord tilts the slats in an alternate direction.

### Raising and Lowering the Blind — Standard HeadMaster™ Hardware System

**IMPORTANT:** Whenever raising or lowering the blind, the slats must be in the open position.

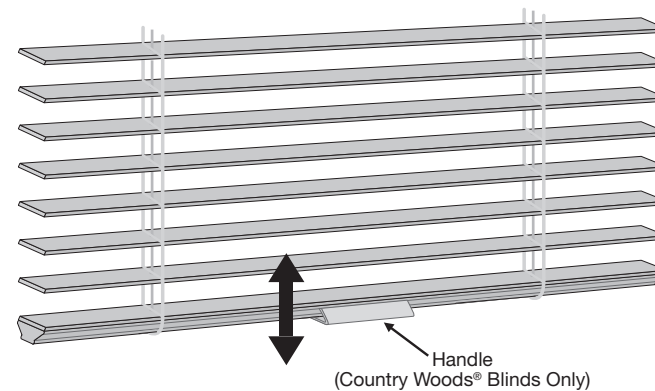
- Pull the single cord down and toward the center to raise and lower.
- Hold the cord to the outside to lock the blind in position.



### Raising and Lowering the Blind — LiteRise® Cordless System

**IMPORTANT:** Whenever raising or lowering the blind, the slats must be in the open position.

- Grasp the handle or bottom rail and push up to raise the blind.
- Grasp the handle or bottom rail and pull down to lower the blind.
- *Wood Blinds Only:* An extension pole is available for operating the blind in hard-to-reach windows. A decorative tassel will be attached to the bottom rail with a string. Hook the string and tassel with the extension pole and pull down.



## 5 Child Safety



### **! WARNING**

For more safety information call 1-888-501-8364 in the U.S. or 1-866-662-0666 in Canada.

Young children can STRANGLE in cord loops and in the loop above the cord stop. They can also wrap cords around their necks and STRANGLE.

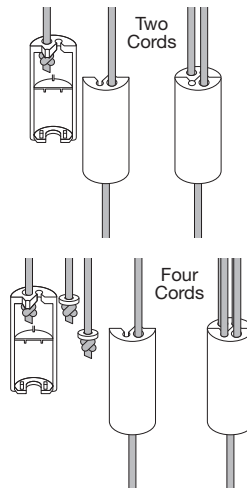
- Always keep cords out of children's reach.
- Move cribs, playpens and other furniture away from cords. Children can climb furniture to get to cords.

### Cord Stop (Wood and Alternative Wood Blinds)

- This component breaks apart with minimal pressure should a child or pet become entangled in the top lift cords.
- It also acts as a stopper to prevent inner cords from being pulled through the blind, which can also create potential entanglement.

### Reassembly of Cord Stop

- Reinsert any loose cords into the top notches of the cord stop. There is a notch on each side.
- Line up the two halves of the cord stop and snap the pieces back together.

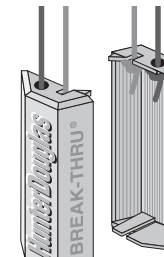


### Break-Thru® Tassel (2" Aluminum Blinds)

- This component is designed to break apart should a child or pet become entangled in the lift cords.

### Reassembly of Break-Thru Tassel

- Reinsert any loose cords into the top notches of the tassel. There is a notch on each side.
- Line up the right and left sides of the tassel and snap the pieces back together.



Snap Together

### Cord Cleats

Hunter Douglas offers cord cleats and we recommend their use.

Attach two cord cleats 6" to 12" apart at a height where they will be out of the reach of children. Take into account that a child may stand on furniture attempting to reach the cords. Be sure the cleats are firmly secured.

Once the cleats are attached, wrap excess cord around them after each use of the blind.



## 6 Troubleshooting

| PROBLEM  | SOLUTION   |
|--|--|
| The blind does not raise and lower evenly.         | <p>Check inside the headrail. Make sure no obstructions keep the mechanism from turning.</p> <p>Check that lift cords are not pinched or tangled.</p>  |
| The blind will not fit into the mounting brackets. | Make sure the mounting brackets are level and the mounting surface is flat.  |
| The blind does not tilt.                           | <p>Check that the tilt cords are not tangled or knotted.</p> <p>Check that the ladders have not become disengaged from the tape drums.</p> <p>Check to be sure that the tilt rod is fully inserted into the tilt gear.</p>               |
| Lift cords are bunching by the safety cord stop.   | Make sure the slats are in the open position. Raise and lower the blind.   |
| Lift cords are stuck or jammed.                    | Check the cords and the moveable pin in the cordlock mechanism inside the headrail of the blind. Make sure the cords can move freely. If the cords are jammed, use a screwdriver or needlenose pliers to move the pin to free the cords. |
| Decorative tapes are wrinkled after installation.  | Use a steamer to steam out the wrinkles. Wave the steamer in front of the tapes for a few seconds. Do not touch the slats with the steamer or pull down on the bottom rail while steaming as this will stretch the tapes.                |

## 7 Care And Cleaning

Like any fine furnishings, Hunter Douglas wood, alternative wood and aluminum blinds should be cleaned regularly to keep them looking new.

### Wood, Alternative Wood and Aluminum Blinds

- Dust regularly. Use a soft clean cloth, chemically-treated dust cloth or dusting mitt. Lower the blind to its full length, tilt the slats almost all the way down and dust. Then tilt the slats almost all the way up and dust. (Not closing the slats all the way allows dusting where the slats overlap.)
- Blinds may also be vacuumed. Use the brush attachment and tilt the slats up and down as described for dusting.
- Another way to clean blinds is simply by wiping them with a soft, damp cloth.

### Wood Blinds Only

- Stained blinds, like wood furniture, should be treated periodically with lemon oil or other wood preservative to protect their finish and enhance their luster.

### Alternative Wood and Aluminum Blinds

- Wash the slats only using a non-abrasive mild detergent solution. Allow to air dry to preserve the dust repellent properties of the slats.
- For a more thorough cleaning, metal or alternative wood bottom rails and slats may be immersed in a bathtub. Do not immerse headrails or wood bottom rails. Bathtub cleaning is not recommended for blinds with wide tapes.

**IMPORTANT:** Hunter Douglas does *not* recommend ultrasonic cleaning of wood, alternative wood or aluminum blinds.

**THANK YOU** for purchasing a Hunter Douglas product.  
*Your new blind has been custom built for you from the highest quality materials.  
Once in your window, it will provide you with a lifetime of beauty and trouble-free use.*

**For assistance, call the Hunter Douglas  
Customer Information Center  
at 1-888-501-8364  
7:00 AM to 4:30 PM MST, Monday-Friday.**

**For Your Records**

**Purchased From:** \_\_\_\_\_

**Date Purchased:** \_\_\_\_\_



**HunterDouglas**

LIGHT CAN CHANGE EVERYTHING®

[hunterdouglas.com](http://hunterdouglas.com)

© 2007 Hunter Douglas Inc. ®Registered trademark of Hunter Douglas Inc. ™Trademark of Hunter Douglas Inc. Patented in the U.S. and foreign countries.  
Other U.S. and foreign patents pending. Break-Thru® is a registered trademark of Break-Thru Corporation. Rev. 9/07



PCN 8800012008 Rev.10/07