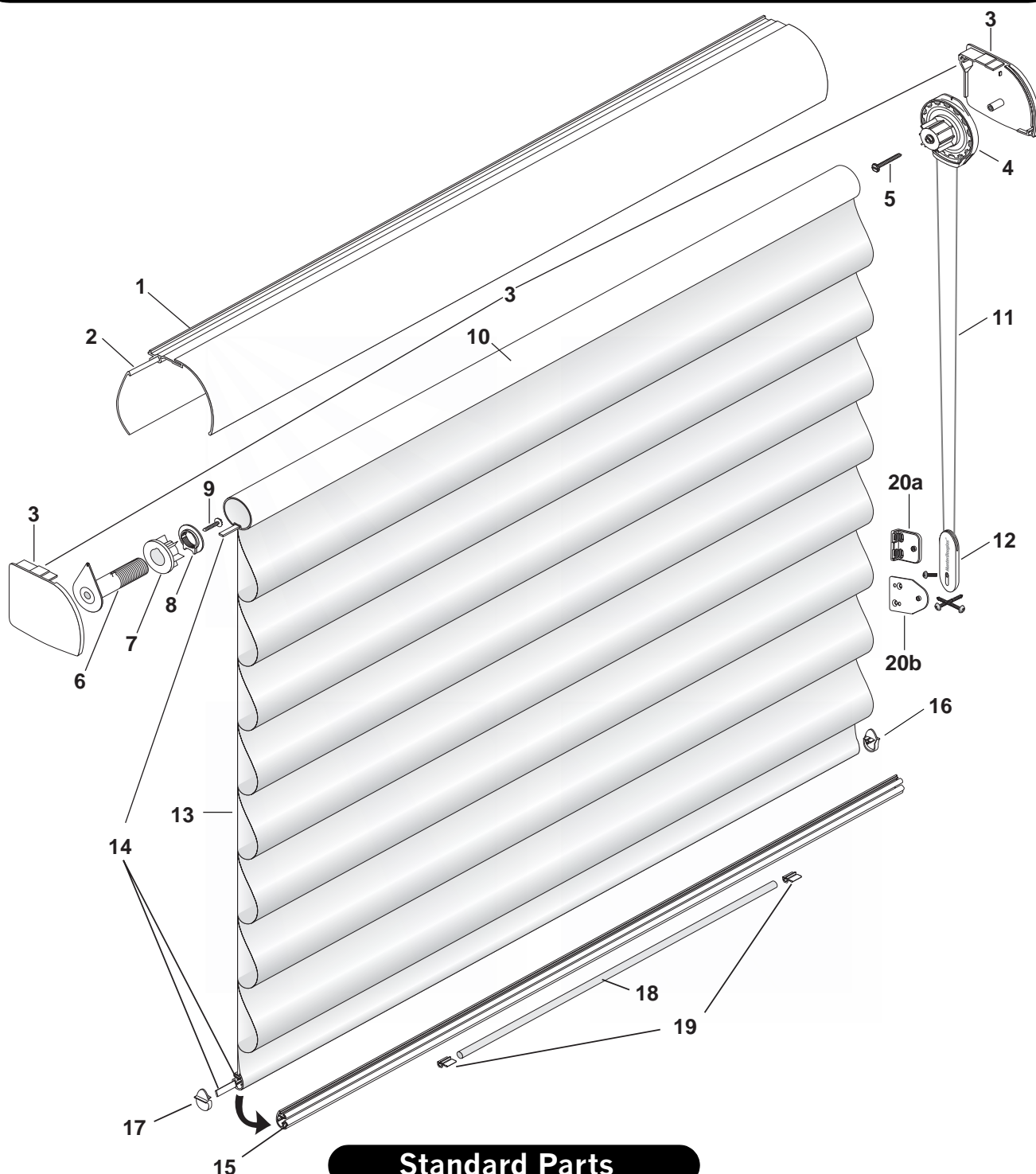


Vignette® Standard Rectangular



Standard Parts

- | | | |
|----------------------------|--|---|
| 1. Fabric-Covered Headrail | 10. Rotator Rail | 17. Bottom Rail End Cap
– Non-Clutch Side |
| 2. Fabric Guard | 11. Cord Loop | 18. Bottom Rail Weight |
| 3. Headrail End Caps | 12. Universal Cord Tensioner | 19. Bottom Rail Weight Clip |
| 4. Clutch | 13. Fabric | 20a. Universal Cord Tensioner
Mounting Bracket |
| 5. Screw (Clutch) | 14. Poly Rod Assembly w/Adhesive | 20b. Universal Cord Tensioner
Mounting Bracket Flush Mount |
| 6. Limit Assembly Screw | 15. Bottom Rail | |
| 7. Keyed Rotator | 16. Bottom Rail End Cap
– Clutch Side | |
| 8. Limit Assembly Nut | | |
| 9. Screw (Rotator) | | |

Vignette® Standard Rectangular

No.	PCN	Description
1.	3400010xxx	Fabric Covered Headrail
2.	3400320000	Fabric Guard
3.	3400020XXX	Headrail End Cap Set
4.	3400034000	Clutch
5.	4150159000	Screw (Clutch)
6.	N/A	Limit Assembly Screw
	4152121000	LH Limit Screw (For Right Control)
	4152120000	RH Limit Screw (For Left Control)
7.	3400380000	Keyed Rotator
8.	N/A	Limit Assembly Nut
	4152125000	LH Limit Assembly Nut
	4152124000	RH Limit Assembly Nut
9.	4150158000	Screw (Rotator)
10.	3400100xxx	Rotator Moving Rail
11.	N/A	Cord Loop
	3400130xxx	2' Cord Loop
	3400140xxx	3' Cord Loop
	3400150xxx	4' Cord Loop
	3400160xxx	5' Cord Loop
12.	4153028xxx	Universal Cord Tensioner
13.	N/A	Fabric – 3" or 4" Fold Size (Available In 11 Fabrics)
14.	4150154785	Poly Rod Assembly w/Adhesive
15.	3400350785	Bottom Rail
16.	3400360xxx	Bottom Rail End Cap – Clutch Side
17.	3400370xxx	Bottom Rail End Cap – Non-Clutch Side
18.	3400210000	Bottom Rail Weight
19.	3400070785	Bottom Rail Weight Clip
20a.	4153052000	Universal Cord Tensioner Mounting Kit
20b.	4154898000	Universal Cord Tensioner Flush Mounting Kit
21.	4150154785	Polystrip With Tape (Not Shown)

Additional Hardware:

(For pictures & specifics, see Vignette® Standard Additional Hardware)

3400240000 2-Installation Bracket Package with Screws

3400250000 3-Installation Bracket Package with Screws

Optional Hardware:

2930230000 Spacer Block

2930340000 Extension Bracket (End Mount Only)

5007311000 Hold-Down Bracket

3400527000 Hold-Down Bracket Screw

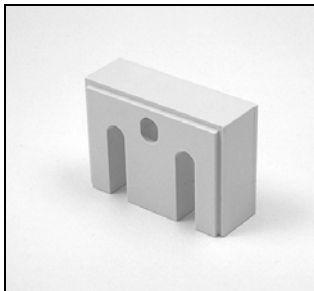
xxx = 3-digit color code

Vignette® Standard Additional Hardware

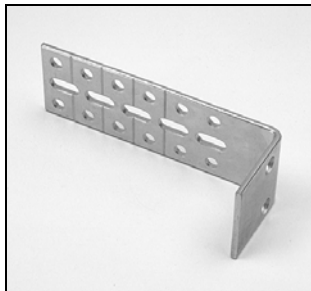


Installation Brackets

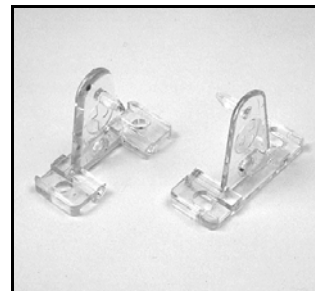
2-bracket package w/screws
PCN 3400240000
3-bracket package w/screws
PCN 3400250000



Spacer Block
PCN 2930230000



End Mount Extension Bracket
PCN 2930340000



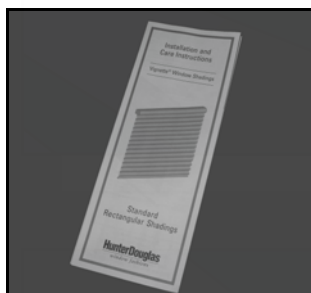
Hold-Down Brackets
PCN 51007311000



Universal Cord Tensioner
Mounting Kit
PCN 4153052000



Universal Cord Tensioner Flush
Mounting Kit
PCN 4154898000



Vignette® Standard
Installation Instructions
PCN 5105202000



About Vignette®
PCN 5105219000



Hunter Douglas Warranty
Registration Card
PCN 7107622000