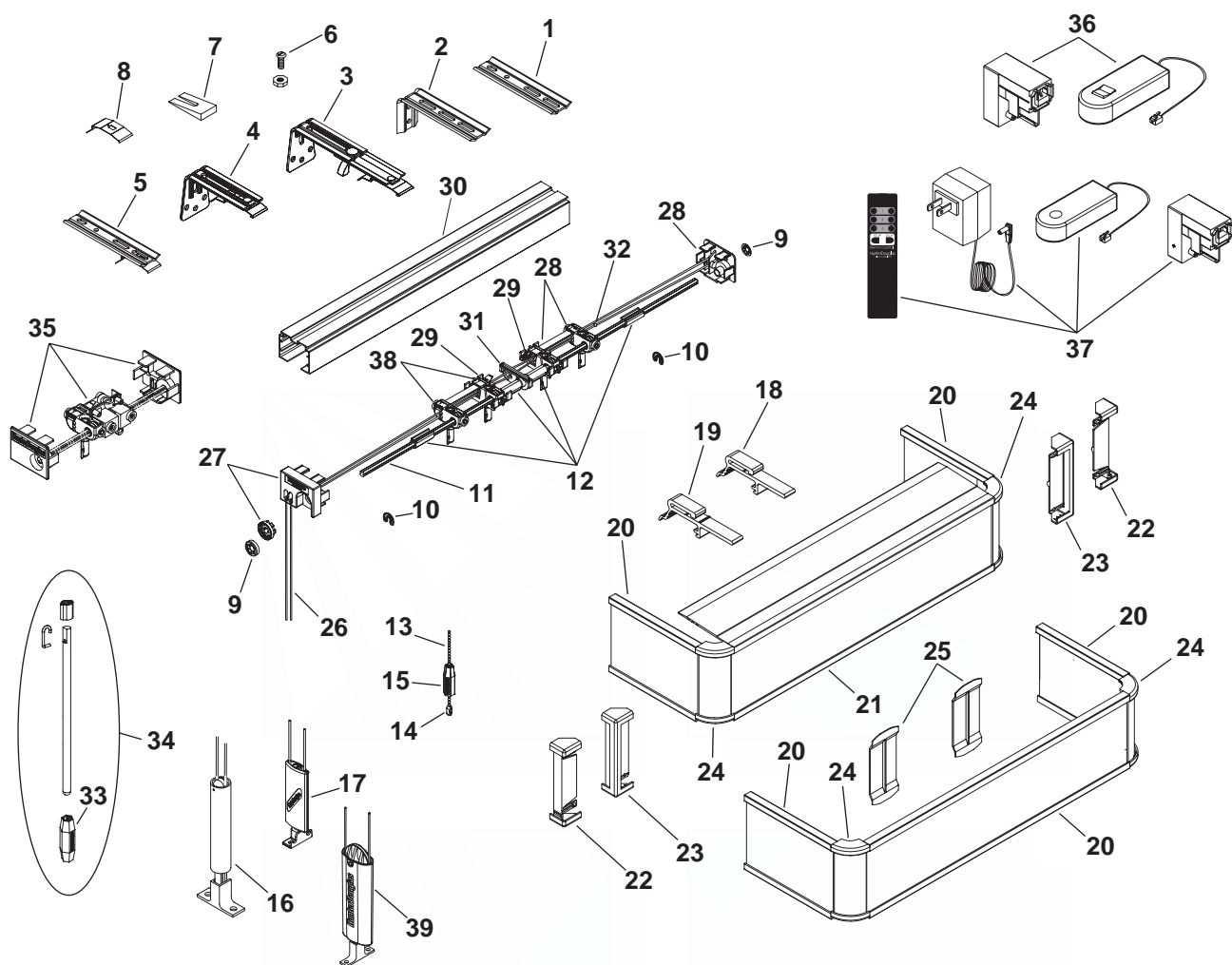


# PermaTrak™ Center Draw Assembly



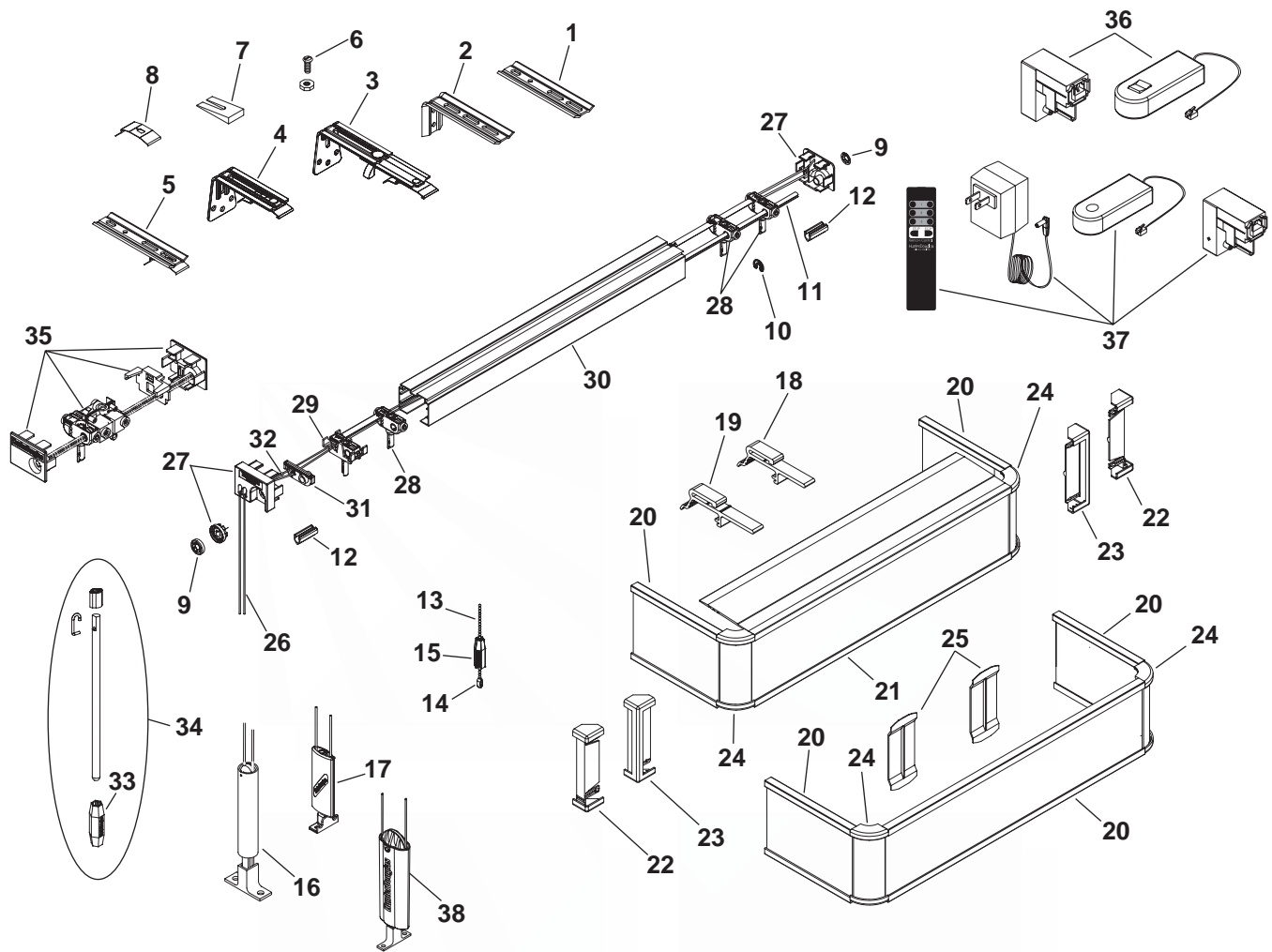
## Standard Components

- |                                       |                                 |   |
|---------------------------------------|---------------------------------|---|
| 1. 4" FLAT EXTENSION BRACKET w/o CLIP | 12. 1" OMEGA SPACER             | 27. END CONTROL SET                     |
| 2. 4" "L" BRACKET w/o CLIP            | 13. #6 QUALIFIED TILT CHAIN     | 28. CENTER DRAW CARRIERS                |
| 3. ADJUSTABLE "L" BRACKET w/CLIP      | 14. #6 CHAIN CONNECTOR          | 29. LEAD CARRIER GUIDE                  |
| 4. 3 1/2" "L" BRACKET w/CLIP          | 15. CHAIN TASSEL                | 30. PERMATRAK™ CHANNEL                  |
| 5. 4" FLAT EXTENSION BRACKET w/CLIP   | 16. ROUND CORD TENSIONER        | 31. ROD SUPPORT CARRIER                 |
| 6. 8-32 x 1/2" PAN HEAD BOLT & NUT    | 17. CORD TENSIONER              | 32. ROD SUPPORT BEAD                    |
| 7. MOUNTING SHIM                      | 18. SHORT VALANCE HANGER        | 33. PERMASSURE™ WAND HEX HANDLE         |
| 8. MOUNTING CLIP                      | 19. LONG VALANCE HANGER         | 34. PERMASSURE WAND ASSEMBLY            |
| 9. STAR FASTENER                      | 20. SHADOW VALANCE/RETURN       | 35. WAND CONTROL ENDCAP SET CENTER DRAW |
| 10. STOP "C" CLIP                     | 21. MIXED VALANCE               | 36. MOTORIZED TILT SWITCH UNIT          |
| 11. TILT ROD                          | 21. VALANCE                     | 37. MOTORIZED TILT REMOTE CONTROL UNIT  |
|                                       | 22. VALANCE CORNER OPEN         | 38. REGULAR DRAW CARRIERS               |
|                                       | 23. VALANCE CORNER CLOSED       | 39. LOCKING CORD TENSIONER              |
|                                       | 24. VALANCE CORNER ROUND w/CAPS |   |
|                                       | 25. VALANCE STACKING CLIP       |   |
|                                       | 26. TRAVERSE CORD               |   |

# PermaTrak™ Center Draw Assembly

No.	P C N	Description	No.	P C N	Description
1.	HC0815	4" FLAT EXTENSION BRACKET w/o CLIP	21.	MUV0193000	MIXED VALANCE (16¢)
2.	MM40RS	4" "L" BRACKET w/o CLIP	21.	CUV0193040	VALANCE (16¢)
3.	ADJUSTABLE "L" BRACKET w/CLIP		22.	VACO0000002	VALANCE CORNER OPEN (CLEAR)
	7702853	PLATED	23.	VACC0000002	VALANCE CORNER CLOSED (CLEAR)
	7702855	IVORY	24.	URC0000040	VALANCE CORNER ROUND w/CAPS
4.	3 1/2" "L" BRACKET w/CLIP		25.	HD0954	VALANCE STACKING CLIP
	7702857	PLATED	26.	PS0563B	TRAVERSE CORD (NATURAL)
	7702859	IVORY	27.	7702803	END CONTROL SET (GREY)
5.	HC0816	4" FLAT EXTENSION BRACKET w/CLIP	28.	CENTER DRAW CARRIERS (WHITE)	
6.	PC0470	8-32 x 1/2" PAN HEAD BOLT & NUT		HR0622	3 1/4"
7.	96801	MOUNTING SHIM		HR0603	3 1/2"
8.	97855	MOUNTING CLIP	29.	7702801	LEAD CARRIER GUIDE (WHITE)
9.	97845	STAR FASTENER	30.	7701880	PERMATRAK™ CHANNEL PAINTED SPARKLE SILVER (GREY) (16¢)
10.	PC0475	STOP "C" CLIP	31.	96811	ROD SUPPORT CARRIERS (WHITE)
11.	TILT ROD		32.	PC0458	ROD SUPPORT BEAD
	PC0456	TILT ROD (50 PCS. 16¢)	33.	PERMASSURE™ WAND HEX HANDLE	
	98860	TILT ROD (96 PCS. 16¢)		IHDL0500	IVORY
12.	PC0453	1" OMEGA SPACER	34.	PERMASSURE WAND ASSEMBLY	
13.	PS0504	#6 QUALIFIED TILT CHAIN (NPB)		7704800	38" IVORY
14.	PS0506	#6 CHAIN CONNECTOR (NPB)		7704801	48" IVORY
15.	CHAIN TASSEL		35.	WCU0502	WAND CONTROL ENDCAP SET- CENTER DRAW (GREY)
	97836	IVORY	36.	MHD1000000	MOTORIZED TILT SWITCH UNIT
16.	ROUND CORD TENSIONER		37.	MHD2000000	MOTORIZED TILT REMOTE CONTROL UNIT
	98832	IVORY	38.	REGULAR DRAW CARRIERS (WHITE)	
17.	CORD TENSIONER			HR0616	3 1/4"
	97888	IVORY		HR0609	3 1/2"
18.	98855	SHORT VALANCE HANGER	39.	LOCKING CORD TENSIONER	
19.	98856	LONG VALANCE HANGER		7703830	IVORY
20.	SMV0193000	SHADOW VALANCE/RETURN (16¢)			

# PermaTrak™ Side Draw Assembly



## Standard Components

- |                                       |                                 |   |
|---------------------------------------|---------------------------------|---|
| 1. 4" FLAT EXTENSION BRACKET w/o CLIP | 12. 1" OMEGA SPACER             | 27. END CONTROL SET                       |
| 2. 4" "L" BRACKET w/o CLIP            | 13. #6 QUALIFIED TILT CHAIN     | 28. REGULAR DRAW CARRIERS                 |
| 3. ADJUSTABLE "L" BRACKET w/CLIP      | 14. #6 CHAIN CONNECTOR          | 29. LEAD CARRIER GUIDE                    |
| 4. 3 1/2" "L" BRACKET w/CLIP          | 15. CHAIN TASSEL                | 30. PERMATRAK™ CHANNEL                    |
| 5. 4" FLAT EXTENSION BRACKET w/CLIP   | 16. ROUND CORD TENSIONER        | 31. ROD SUPPORT CARRIERS                  |
| 6. 8-32 x 1/2" PAN HEAD BOLT & NUT    | 17. CORD TENSIONER              | 32. ROD SUPPORT BEAD                      |
| 7. MOUNTING SHIM                      | 18. SHORT VALANCE HANGER        | 33. PERMASSURE™ WAND HEX HANDLE           |
| 8. MOUNTING CLIP                      | 19. LONG VALANCE HANGER         | 34. PERMASSURE WAND ASSEMBLY              |
| 9. STAR FASTENER                      | 20. SHADOW VALANCE/RETURN       | 35. WAND CONTROL ENDCAP SET w/ROD SUPPORT |
| 10. STOP "C" CLIP                     | 21. MIXED VALANCE               | 36. MOTORIZED TILT SWITCH UNIT            |
| 11. TILT ROD                          | 22. VALANCE CORNER OPEN         | 37. MOTORIZED TILT REMOTE CONTROL UNIT    |
|                                       | 23. VALANCE CORNER CLOSED       | 38. LOCKING CORD TENSIONER                |
|                                       | 24. VALANCE CORNER ROUND w/CAPS |   |
|                                       | 25. VALANCE STACKING CLIP       |   |
|                                       | 26. TRAVERSE CORD               |   |

# PermaTrak™ Side Draw Assembly

No.	P C N	Description	No.	P C N	Description
1.	HC0815	4" FLAT EXTENSION BRACKET w/o CLIP	21.	MUV0193000	MIXED VALANCE (16¢)
2.	MM40RS	4" "L" BRACKET w/o CLIP	21.	CUV0193040	VALANCE (16¢)
3.	ADJUSTABLE "L" BRACKET w/CLIP		22.	VACO0000002	VALANCE CORNER OPEN (CLEAR)
	7702853	PLATED	23.	VACC0000002	VALANCE CORNER CLOSED (CLEAR)
	7702855	IVORY	24.	URC0000040	VALANCE CORNER ROUND w/CAPS
4.	3 1/2" "L" BRACKET w/CLIP		25.	HD0954	VALANCE STACKING CLIP
	7702857	PLATED	26.	PS0563B	TRAVERSE CORD (NATURAL)
	7702859	IVORY	27.	7702803	END CONTROL SET (GREY)
5.	HC0816	4" FLAT EXTENSION BRACKET w/CLIP	28.	REGULAR DRAW CARRIERS (WHITE)	
6.	PC0470	8-32 x 1/2" PAN HEAD BOLT & NUT		HR0622	3 1/4"
7.	96801	MOUNTING SHIM		HR0603	3 1/2"
8.	97855	MOUNTING CLIP	29.	7702801	LEAD CARRIER GUIDE (WHITE)
9.	97845	STAR FASTENER	30.	7701880	PERMATRAK™ CHANNEL PAINTED SPARKLE SILVER (GREY) (16¢)
10.	PC0475	STOP "C" CLIP	31.	96811	ROD SUPPORT CARRIERS (WHITE)
11.	TILT ROD		32.	PC0458	ROD SUPPORT BEAD
	PC0456	TILT ROD (50 PCS. 16¢)	33.	PERMASSURE™ WAND HEX HANDLE	
	98860	TILT ROD (96 PCS. 16¢)		IHDL0500	IVORY
12.	PC0453	1" OMEGA SPACER	34.	PERMASSURE WAND ASSEMBLY	
13.	PS0504	#6 QUALIFIED TILT CHAIN (NPB)		7704800	38" IVORY
14.	PS0506	#6 CHAIN CONNECTOR (NPB)		7704801	48" IVORY
15.	CHAIN TASSEL		35.	WCU0501	WAND CONTROL ENDCAP SET w/ROD SUPPORT (GREY)
	97836	IVORY	36.	MHD1000000	MOTORIZED TILT SWITCH UNIT
16.	ROUND CORD TENSIONER		37.	MHD2000000	MOTORIZED TILT REMOTE CONTROL UNIT
	98832	IVORY	38.	LOCKING CORD TENSIONER	
17.	CORD TENSIONER			7703830	IVORY
	97888	IVORY			
18.	98855	SHORT VALANCE HANGER			
19.	98856	LONG VALANCE HANGER			
20.	SMV0193000	SHADOW VALANCE/RETURN (16¢)			