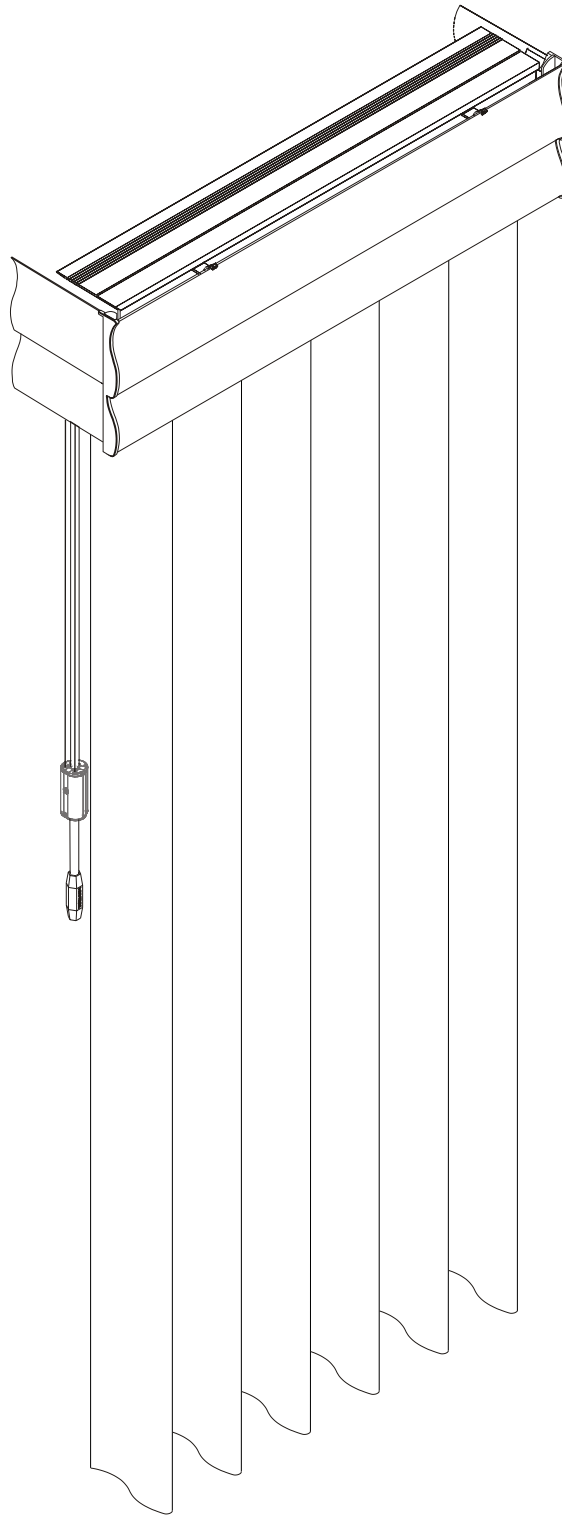
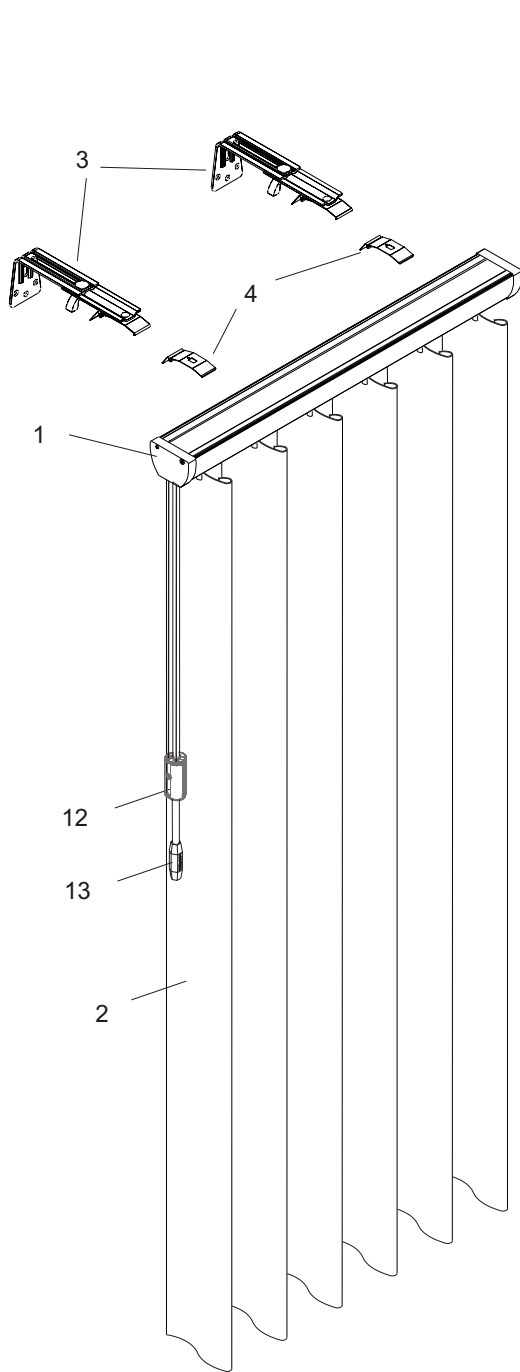


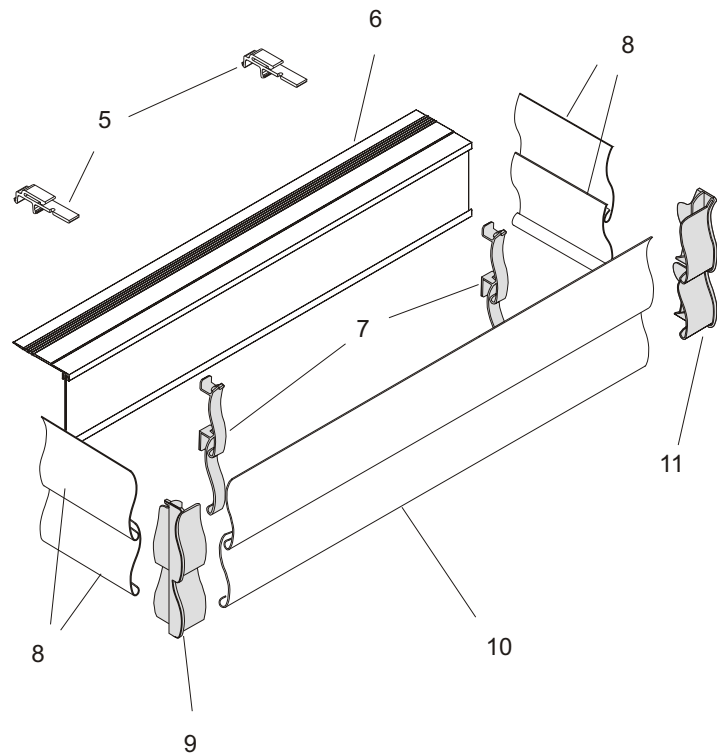
Cadence Soft Vertical Blinds



Cadence Components



CADENCE LOUVERS AND
PARAMOUNT HEADRAIL ASSEMBLY
FEATURING THE PERMASSURE WAND

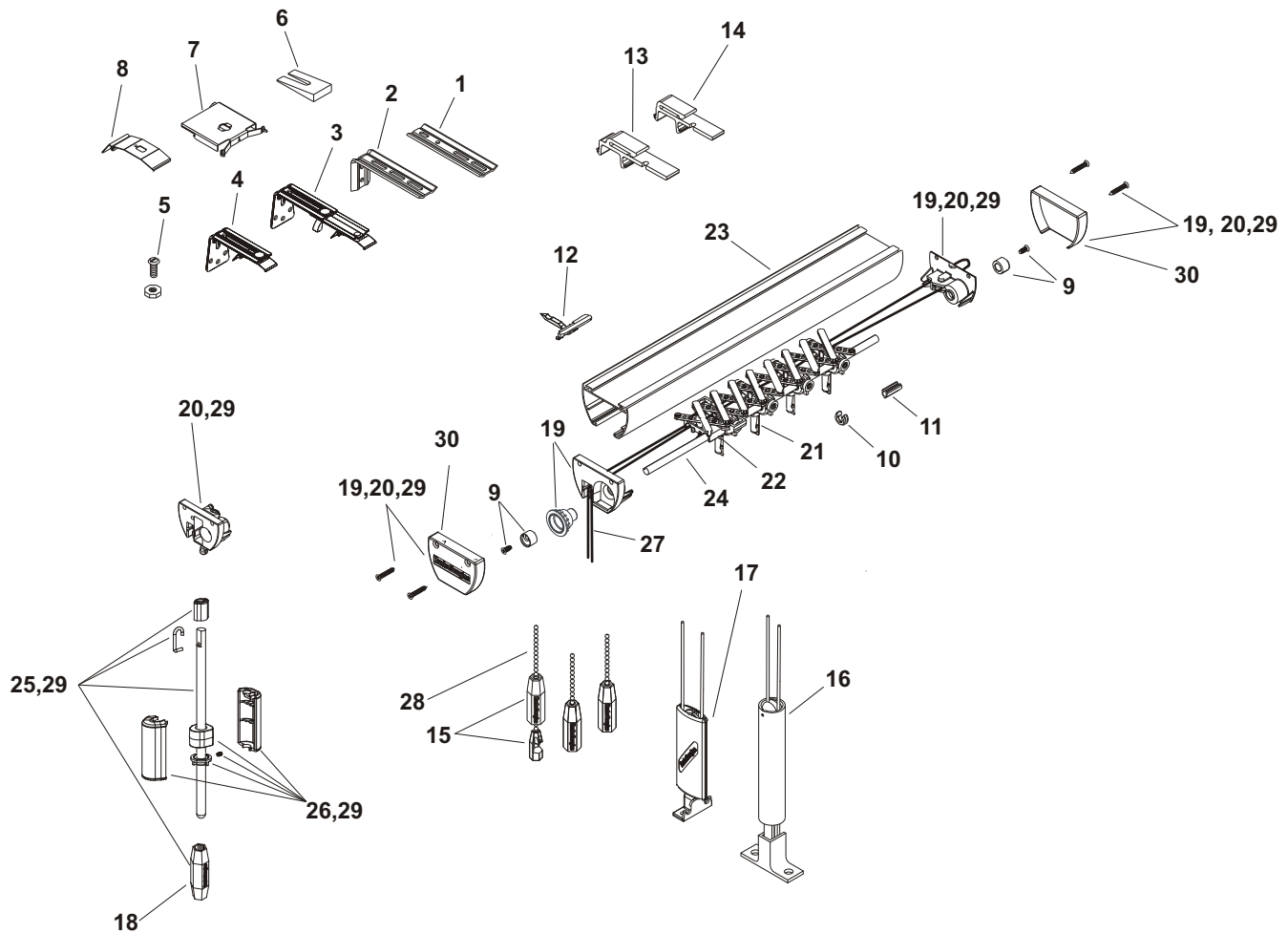


DUALFOLD VALANCE ASSEMBLY

Cadence Components

1. PARAMOUNT HEADRAIL ASSEMBLY
2. CADENCE LOUVERS
3. ADJUSTABLE L-BRACKETS w/ EZ-ON CLIPS
4. EZ-ON CLIPS
5. LONG VALANCE HANGERS
6. DUST COVER VALANCE MATERIAL
7. DUALFOLD VALANCE CLIPS
8. VALANCE RETURNS
9. LEFT DUALFOLD CORNER
10. VALANCE INSERTS
11. RIGHT DUALFOLD CORNER
12. FIXED WAND CORD TETHER ASSEMBLY
13. PERMASSURE WAND ASSEMBLY

Paramount Side Draw Assembly



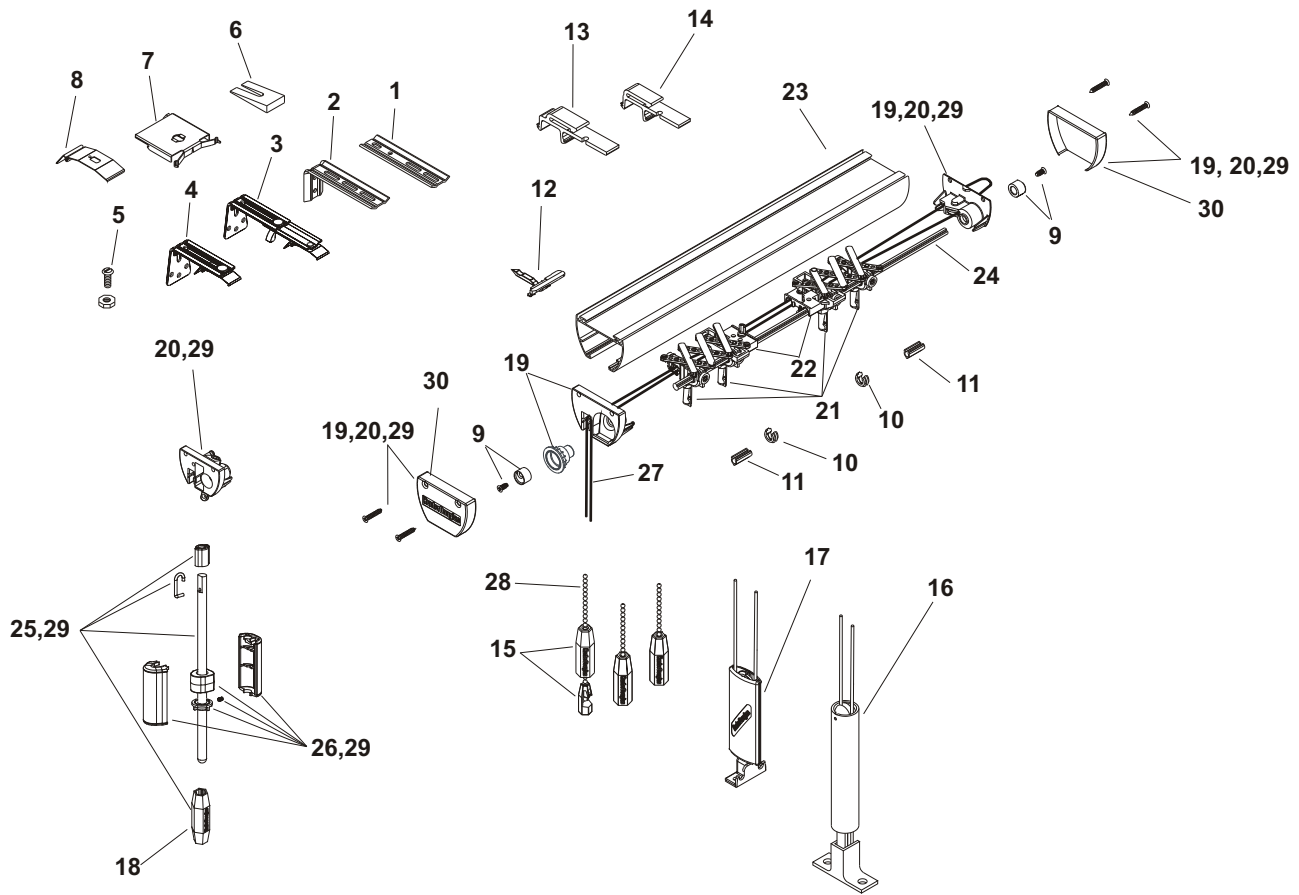
Standard Components

- | | | |
|--|--|---|
| 1. 4" FLAT EXTENSION BRACKET
w/O CLIP | 10. STOP C-CLIP | 24. TILT ROD |
| 2. 4" L-BRACKET w/O CLIP | 11. 1-1/8" OMEGA SPACER | 25. PERMASSURE WAND ASSEMBLY |
| 3. ADJUSTABLE L-BRACKET
w/CLIP | 12. TILT ROD SUPPORT ASSEMBLY | 26. FIXED WAND CORD
TETHER ASSEMBLY |
| 4. FIXED L-BRACKET w/ CLIP | 13. LONG VALANCE HANGER | 27. TRAVERSE CORD |
| 5. PAN HEAD BOLT & NUT
8-32 x 1/2" | 14. SHORT VALANCE HANGER | 28. #6 PLASTIC CHAIN |
| 6. MOUNTING SHIM | 15. CHAIN TASSEL ASSEMBLY | 29. PERMATILT WAND CONTROL
UPGRADE KIT |
| 7. MOUNTING CLIP
w/LOCKING TAB | 16. ROUND CORD TENSIONER | 30. SOFTSUEDE END CAP COVERS |
| 8. EZ-ON MOUNTING CLIP | 17. CORD TENSIONER | |
| 9. TILT ROD RETENTION ASSEMBLY | 18. PERMASSURE WAND
HEX HANDLE | |
| | 19. STANDARD END CONTROL SET | |
| | 20. PERMATILT END CONTROL SET | |
| | 21. CARRIER ASSEMBLY | |
| | 22. LEAD CARRIER ASSEMBLY | |
| | 23. STANDARD CHANNEL OR
SOFTSUEDE CHANNEL | |

Paramount Side Draw Assembly

No.	PCN	Description	No.	PCN	Description
1.	HC0815	4" FLAT EXTENSION BRACKET w/o CLIP	20.	PERMATILT END CONTROL SET 7700810	IVORY WHISPER
2.	MM40RS	4" L-BRACKET w/O CLIP	21.	7700821	3 1/2" CARRIER ASSEMBLY
3.	ADJUSTABLE L-BRACKET w/ CLIP 7702852 7702854	PLATED IVORY	22.	7700826	3 1/2" LEAD CARRIER GUIDE
4.	FIXED L-BRACKET w/ CLIP 7702856 7702858	PLATED IVORY	23.	STANDARD CHANNEL (16') 7799860	IVORY WHISPER
5.	PC0470	8-32 x 1/2" PAN HEAD BOLT & NUT	23.	SOFTSUEDE CHANNEL (16') 7799871	DESERT GOLD
6.	96801	MOUNTING SHIM	7799872	CRÈME DE LA CRÈME	
7.	99850	MOUNTING CLIP w/LOCKING TAB	7701875	SNOWY WHITE	
8.	7799851	EZ-ON MOUNTING CLIP	7701876	LORELEI	
9.	97840	TILT ROD RETENTION ASSEMBLY	7701877	ROSE TAUPE	
10.	97841	STOP C- CLIP	7701878	SAGE	
11.	97842	1 1/8" OMEGA SPACER	24.	97890	TILT ROD (16')
12.	7700827	TILT ROD SUPPORT ASSEMBLY	25.	PERMASSURE WAND ASSEMBLY 7702816	30" IVORY
13.	7797856	LONG VALANCE HANGER	WWND0500	30" WHITE	
14.	7797857	SHORT VALANCE HANGER	IWND0501	60" IVORY	
15.	CHAIN TASSEL ASSEMBLY 97830 97832	IVORY WHITE	WWND0501	60" WHITE	
16.	ROUND CORD TENSIONER 98832 98833 98834	IVORY WHITE CLEAR	26.	FIXED WAND CORD TETHER ASSEMBLY 7702811	IVORY
17.	CORD TENSIONER 97888 97835	IVORY WHITE	7702812	WHITE	
18.	PERMASSURE WAND HEX HANDLE IHDL0500 WHDL0500	IVORY WHITE	27.	PS0563B	TRAVERSE CORD (NATURAL)
19.	STANDARD END CONTROL SET 7700800 7700803 7700811 7701820 7701821 7701822 7701823	IVORY WHISPER CRÈME DE LA CRÈME DESERT GOLD SNOWY WHITE LORELEI ROSE TAUPE SAGE	28.	#6 PLASTIC CHAIN PS0602 97831	IVORY CLEAR
			29.	PERMATILT WAND CONTROL UPGRADE KIT (WITH END COVERS) 7702815 7702818	30" IVORY 60" IVORY
			29.	PERMATILT WAND CONTROL UPGRADE KIT (WITHOUT END COVERS - ORDER SEPARATELY) 7702817 7702819	30" WHITE 60" WHITE
			30.	SOFTSUEDE END CAP COVERS 7703812 7703819 7703824 7703825 7703826 7703827	CREME DE LA CREME DESERT GOLD SNOWY WHITE LORELEI ROSE TAUPE SAGE

Paramount Center Draw Assembly



Standard Components

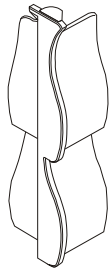
- | | | |
|---------------------------------------|---|--|
| 1. 4" FLAT EXTENSION BRACKET w/o CLIP | 11. 1-1/8" OMEGA SPACER | 25. PERMASSURE WAND ASSEMBLY |
| 2. 4" L-BRACKET w/o CLIP | 12. TILT ROD SUPPORT ASSEMBLY | 26. FIXED WAND CORD TETHER ASSEMBLY |
| 3. ADJUSTABLE L-BRACKET w/CLIP | 13. LONG VALANCE HANGER | 27. TRAVERSE CORD |
| 4. FIXED L-BRACKET w/ CLIP | 14. SHORT VALANCE HANGER | 28. #6 PLASTIC CHAIN |
| 5. PAN HEAD BOLT & NUT 8-32 x 1/2" | 15. CHAIN TASSEL ASSEMBLY | 29. PERMATILT WAND CONTROL UPGRADE KIT |
| 6. MOUNTING SHIM | 16. ROUND CORD TENSIONER | 30. SOFTSUEDE END CAP COVERS |
| 7. MOUNTING CLIP w/LOCKING TAB | 17. CORD TENSIONER | |
| 8. EZ-ON MOUNTING CLIP | 18. PERMASSURE WAND HEX HANDLE | |
| 9. TILT ROD RETENTION ASSEMBLY | 19. STANDARD END CONTROL SET | |
| 10. STOP C-CLIP | 20. PERMATILT END CONTROL SET | |
| | 21. CARRIER ASSEMBLY | |
| | 22. LEAD CARRIER ASSEMBLY | |
| | 23. STANDARD CHANNEL OR SOFTSUEDE CHANNEL | |
| | 24. TILT ROD | |

Paramount Center Draw Assembly

No.	PCN	Description	No.	PCN	Description
1.	HC0815	4" FLAT EXTENSION BRACKET w/o CLIP	20.	PERMATILT ¹	END CONTROL SET
2.	MM40RS	4" L-BRACKET w/o CLIP	7700810		IVORY WHISPER
3.	ADJUSTABLE L- BRACKET w/ CLIP		7700812		CRÈME DE LA CRÈME
	7702852	PLATED	7700819		DESERT GOLD
	7702854	IVORY	7701824		SNOWY WHITE
4.	FIXED L-BRACKET w/ CLIP		7701825		LORELEI
	7702856	PLATED	7701826		ROSE TAUPE
	7702858	IVORY	7701827		SAGE
5.	PC0470	8-32 x 1/2" PAN HEAD BOLT & NUT	21.	7700821	3 1/2" CARRIER ASSEMBLY
6.	96801	MOUNTING SHIM	22.	7700826	3 1/2" LEAD CARRIER GUIDE
7.	99850	MOUNTING CLIP w/LOCKING TAB	23.	STANDARD CHANNEL (16')	
8.	7799851	EZ-ON MOUNTING CLIP	7799860		IVORY WHISPER
9.	97840	TILT ROD RETENTION ASSEMBLY	23.	SOFTSUEDE ¹	CHANNEL (16')
10.	97841	STOP C- CLIP	7799871		DESERT GOLD
11.	97842	1 1/8" OMEGA SPACER	7799872		CRÈME DE LA CRÈME
12.	7700827	TILT ROD SUPPORT ASSEMBLY	7701875		SNOWY WHITE
13.	7797856	LONG VALANCE HANGER	7701876		LORELEI
14.	7797857	SHORT VALANCE HANGER	7701877		ROSE TAUPE
15.	CHAIN TASSEL ASSEMBLY		7701878		SAGE
	97830	IVORY	24.	97890	TILT ROD (16)
	97832	WHITE	25.	PERMASSURE WAND ASSEMBLY	
16.	ROUND CORD TENSIONER		7702816		30" IVORY
	98832	IVORY	WWND0500		30" WHITE
	98833	WHITE	IWND0501		60" IVORY
	98834	CLEAR	WWND0501		60" WHITE
17.	CORD TENSIONER		26.	FIXED WAND CORD TETHER ASSEMBLY	
	97888	IVORY	7702811		IVORY
	97835	WHITE	7702812		WHITE
18.	PERMASSURE ¹ WAND HEX HANDLE		27.	PS0563B	TRAVERSE CORD (NATURAL)
	IHDL0500	IVORY	28.	#6 PLASTIC CHAIN	
	WHDL0500	WHITE	PS0602		IVORY
19.	STANDARD END CONTROL SET		97831		CLEAR
	7700800	IVORY WHISPER	29.	PERMATILT WAND CONTROL UPGRADE KIT	
	7700803	CRÈME DE LA CRÈME	(WITH END COVERS)		
	7700811	DESERT GOLD	7702815		30" IVORY
	7701820	SNOWY WHITE	7702818		60" IVORY
	7701821	LORELEI	29.	PERMATILT WAND CONTROL UPGRADE KIT	
	7701822	ROSE TAUPE	(WITHOUT END COVERS - ORDER SEPARATELY)		
	7701823	SAGE	7702817		30" WHITE
			7702819		60" WHITE
			30.	SOFTSUEDE END CAP COVERS	
			7703812		CREME DE LA CREME
			7703819		DESERT GOLD
			7703824		SNOWY WHITE
			7703825		LORELEI
			7703826		ROSE TAUPE
			7703827		SAGE

DualFold Valance Components

1.



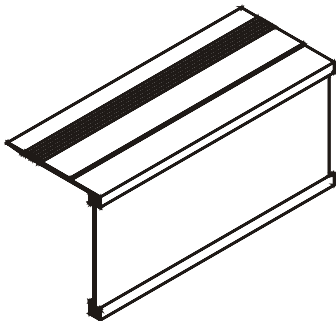
2.



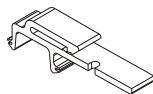
3.



4.



5.



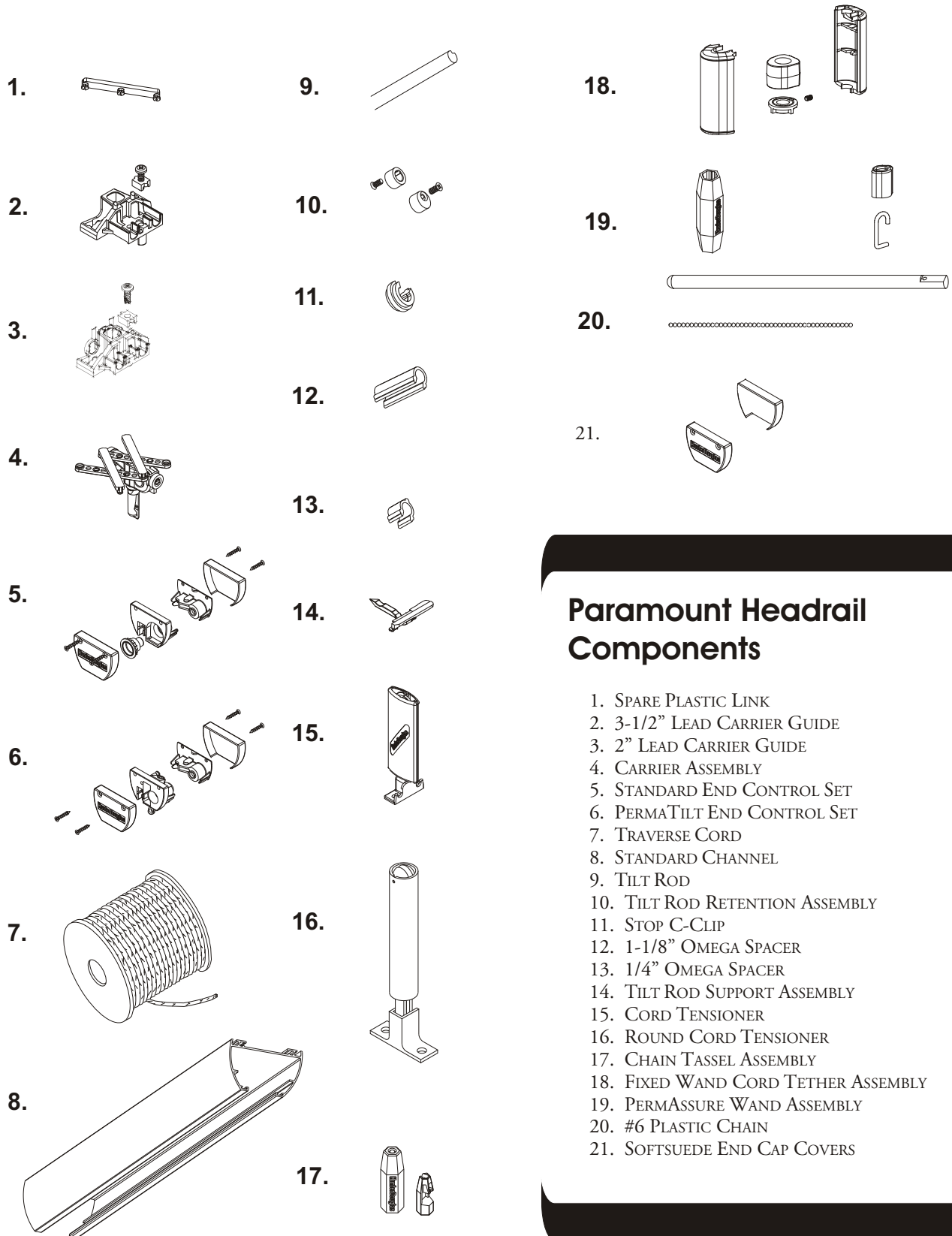
DualFold Valance Components

1. LEFT DUALFOLD CORNER
2. RIGHT DUALFOLD CORNER
3. DUALFOLD VALANCE CLIP
4. DUST COVER VALANCE MATERIAL
5. LONG VALANCE HANGERS

DualFold Valance Components

No.	PCN	Description
1.	7703894	LEFT DUALFOLD CORNER
2.	7703896	RIGHT DUALFOLD CORNER
3.	7703891	DUALFOLD VALANCE CLIP
4.	DUST COVER VALANCE MATERIAL MUV0193000 CUV0193040	MIXED VALANCE 16' VALANCE 16'
5.	7797856	LONG VALANCE HANGER

Paramount Headrail Components



Paramount Headrail Components

1. SPARE PLASTIC LINK
2. 3-1/2" LEAD CARRIER GUIDE
3. 2" LEAD CARRIER GUIDE
4. CARRIER ASSEMBLY
5. STANDARD END CONTROL SET
6. PERMATILT END CONTROL SET
7. TRAVERSE CORD
8. STANDARD CHANNEL
9. TILT ROD
10. TILT ROD RETENTION ASSEMBLY
11. STOP C-CLIP
12. 1-1/8" OMEGA SPACER
13. 1/4" OMEGA SPACER
14. TILT ROD SUPPORT ASSEMBLY
15. CORD TENSIONER
16. ROUND CORD TENSIONER
17. CHAIN TASSEL ASSEMBLY
18. FIXED WAND CORD TETHER ASSEMBLY
19. PERMASSURE WAND ASSEMBLY
20. #6 PLASTIC CHAIN
21. SOFTSUEDE END CAP COVERS

Paramount Headrail Components

No.	PCN	Description	No.	PCN	Description
1.	97822	SPARE PLASTIC LINKS	16.	ROUND CORD TENSIONER	
2.	7700826	3 ½" LEAD CARRIER GUIDE	98832	IVORY	
3.	7700828	2" LEAD CARRIER GUIDE	98833	WHITE	
4.	7700821	3 ½" CARRIER ASSEMBLY	98834	CLEAR	
	7700823	2" CARRIER ASSEMBLY	17.	CHAIN TASSEL ASSEMBLY	
5.	STANDARD END CONTROL SET		97830	IVORY	
	7700800	IVORY WHISPER	97832	WHITE	
	7700803	CRÈME DE LA CRÈME	18.	FIXED WAND CORD RETENTION ASSEMBLY	
	7700811	DESERT GOLD	7702811	IVORY	
	7701820	SNOWY WHITE	7702812	WHITE	
	7701821	LORELEI	19.	PERMASSURE WAND ASSEMBLY	
	7701822	ROSE TAUPE	IWND0500	30" IVORY	
	7701823	SAGE	WWND0500	30" WHITE	
6.	PERMATILT END CONTROL SET		IWND0501	60" IVORY	
	7700810	IVORY WHISPER	WWND0501	60" WHITE	
7.	PS0563B	TRAVERSE CORD (NATURAL)	20.	#6 PLASTIC CHAIN	
8.	16' STANDARD CHANNEL		PS0602	IVORY	
	7799860	IVORY WHISPER	97831	CLEAR	
	7799871	CRÈME DE LA CRÈME	21.	SOFTSUEDE END CAP COVERS	
	7799872	DESERT GOLD	7703812	CREME DE LA CREME	
	7701875	SNOWY WHITE	7703819	DESERT GOLD	
	7701876	LORELEI	7703824	SNOWY WHITE	
	7701877	ROSE TAUPE	7703825	LORELEI	
	7701878	SAGE	7703826	ROSE TAUPE	
9.	97890	16' TILT ROD	7703827	SAGE	
10.	97840	TILT ROD RETENTION ASSEMBLY			
11.	97841	STOP C- CLIP			
12.	97842	1-1/8" OMEGA SPACER			
13.	PC0570	1/4" OMEGA SPACER			
14.	7700827	TILT ROD SUPPORT ASSEMBLY			
15.	CORD TENSIONER				
	97888	IVORY			
	97835	WHITE			

