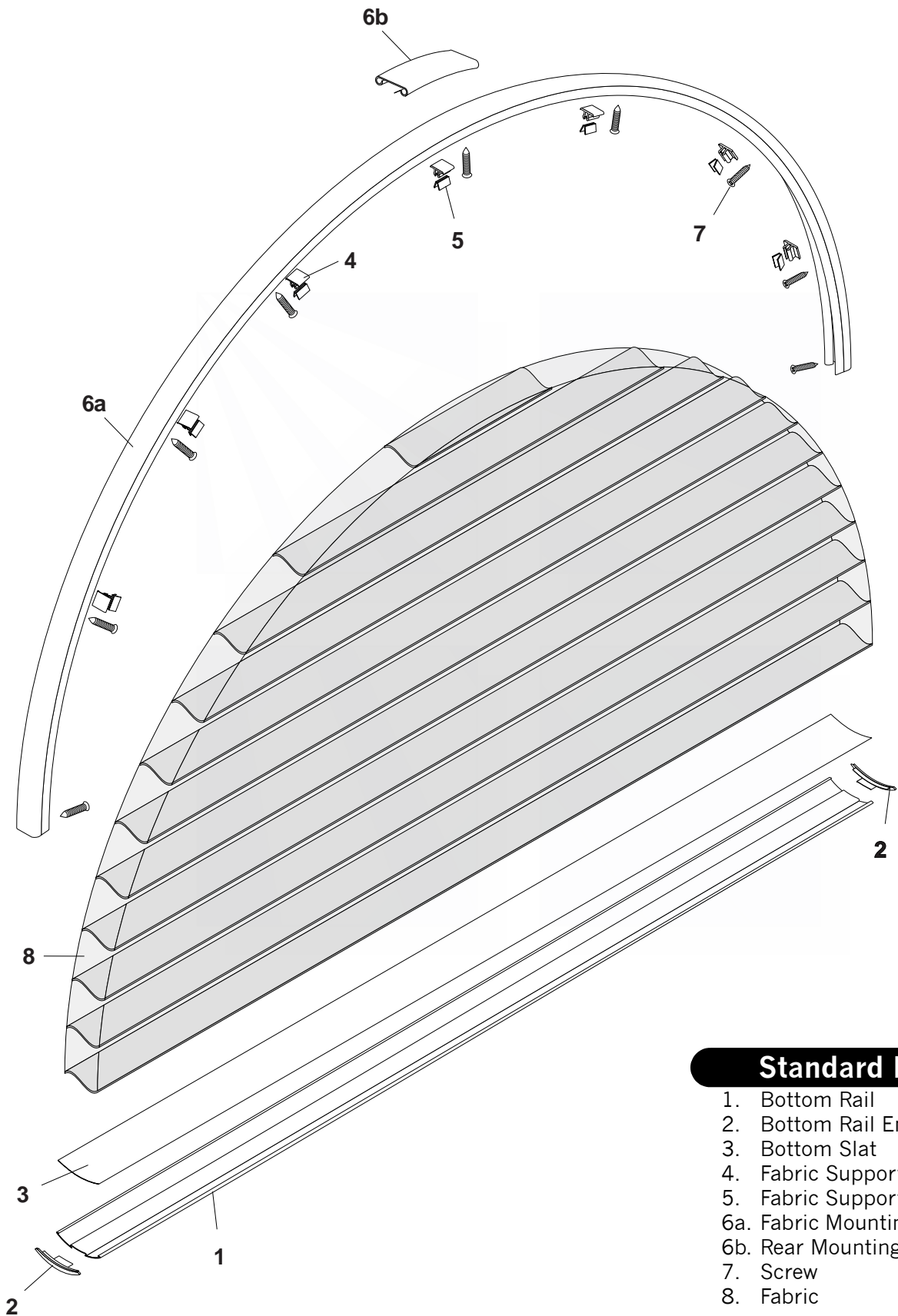


Silhouette® Arch



Standard Parts

- 1. Bottom Rail
- 2. Bottom Rail End Cap
- 3. Bottom Slat
- 4. Fabric Support Clip
- 5. Fabric Support Teeth
- 6a. Fabric Mounting Track w/Tape
- 6b. Rear Mounting Track w/Tape
- 7. Screw
- 8. Fabric

Silhouette® Arch

No.	PCN	Description
1.	4150128xxx	Bottom Rail
2.	4150084xxx	Bottom Rail End Cap
3.	4150144xxx	Bottom Slat – A1, A2, A4, A5, A7, A8 & A11 Fabrics
	4150153xxx	Bottom Slat – A3 & A6 Fabrics
	4150365xxx	Bottom Slat – A12 Fabric
	4150366xxx	Bottom Slat – A13 Fabric
4.	4150162000	Fabric Support Clip
5.	4150161000	Fabric Support Teeth
6a.	4150123000	Front Mounting Track w/Teeth
6b.	4150123000	Rear Mounting Track w/Teeth*
7.	4150102000	Screw
8.	N/A	Fabrics A1, A2, A3, A4, A5, A6, A7, A8, A11, A12 & A13

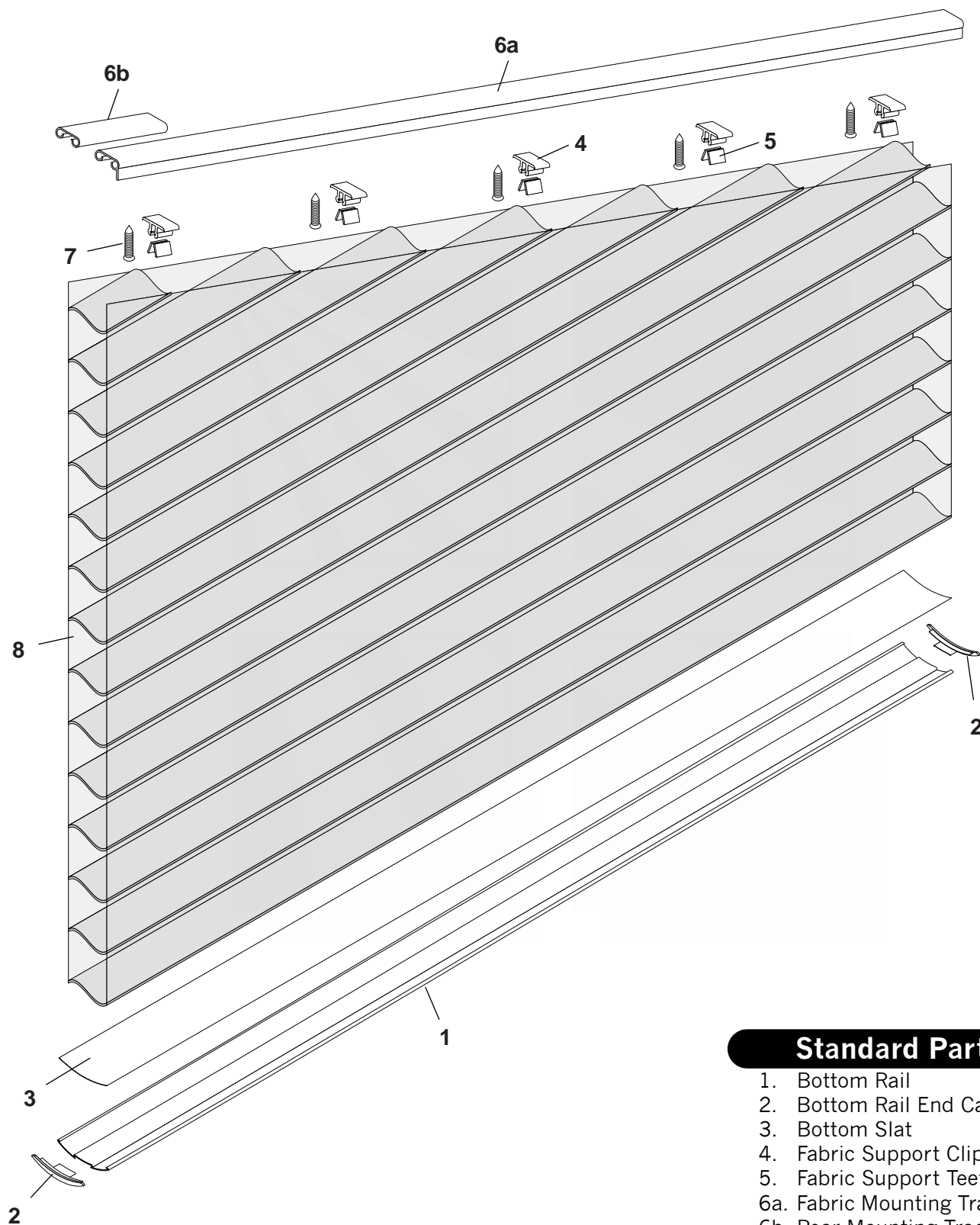
* 2" length cut from Front Mounting Track

Additional Hardware:

5101333000 Silhouette® Arch Installation Instructions

xxx = 3-digit color code

Silhouette® Angle



Standard Parts

1. Bottom Rail
2. Bottom Rail End Cap
3. Bottom Slat
4. Fabric Support Clip
5. Fabric Support Teeth
- 6a. Fabric Mounting Track w/Tape
- 6b. Rear Mounting Track w/Tape
7. Screw
8. Fabric

Silhouette® Angle

No.	PCN	Description
1.	4150128xxx	Bottom Rail
2.	4150084xxx	Bottom Rail End Cap
3.	4150144xxx	Bottom Slat – A1, A2, A4, A5, A7, A8 & A11 Fabrics
	4150153xxx	Bottom Slat – A3 & A6 Fabrics
	4150365xxx	Bottom Slat – A12 Fabric
	4150366xxx	Bottom Slat – A13 Fabric
4.	4150162000	Fabric Support Clip
5.	4150161000	Fabric Support Teeth
6a.	4150123000	Front Mounting Track w/Teeth
6b.	4150123000	Rear Mounting Track w/Teeth*
7.	4150102000	Screw
8.	N/A	Fabrics A1, A2, A3, A4, A5, A6, A7, A8, A11, A12 & A13

* 2" length cut from Front Mounting Track

Additional Hardware:

5101334000 Silhouette® Angle Installation Instructions

xxx = 3-digit color code