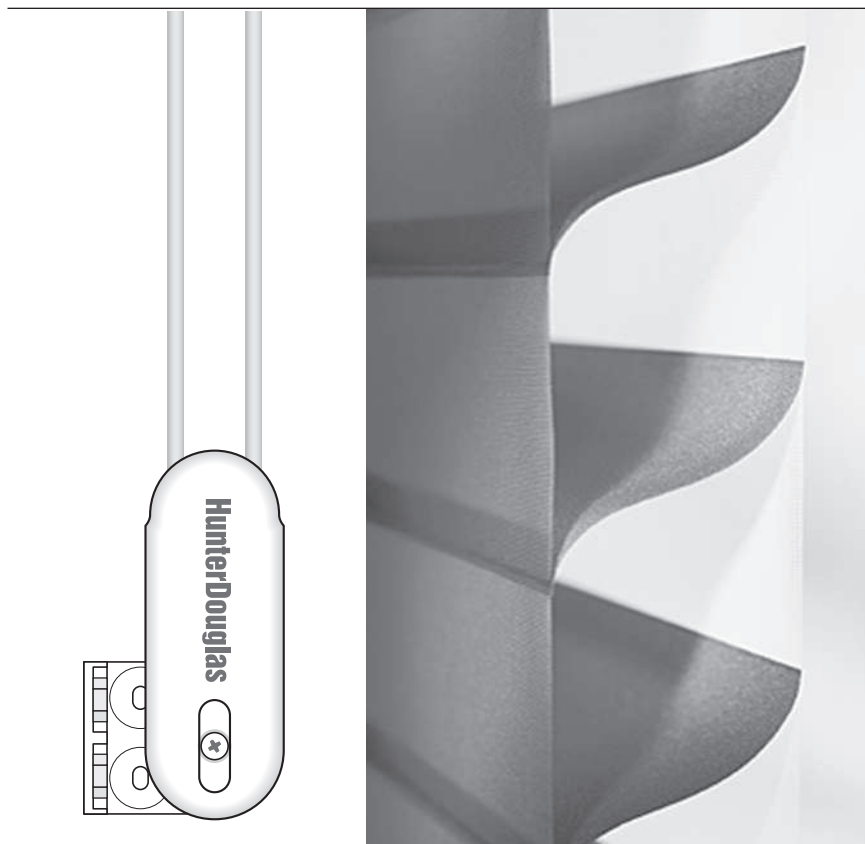


# HunterDouglas

Installation • Operation • Care



Silhouette® and Nantucket™  
Window Shades  
EasyRise™ Lifting Systems

**CONTENTS**

---

**Getting Started:**

Installation Components Needed ..... 1  
Tools And Fasteners Needed ..... 2  
Mounting Types And Window Terminology ..... 2  
Product View ..... 3

**Installation:**

Mount The Installation Brackets — Inside Mount ..... 4  
Mount The Installation Brackets — Outside Mount ..... 6  
Mount The Installation Brackets — End Mount ..... 7  
Install The Shading ..... 8  
Secure The Cord Tensioner ..... 8  
Attach The Hold-Down Brackets ..... 8  
Attach The Dust Cover (Optional) ..... 9

**Operation:**

Operate The Shading ..... 10  
Adjust The Shading ..... 11  
Troubleshooting ..... 12

**Care:**

Cleaning Procedures ..... 14  
Remove The Shading ..... 15

**Child Safety:**

Warning ..... 16

---

**Questions?**

Call the Hunter Douglas Customer Information Center at  
1-888-501-8364



© 2008 Hunter Douglas Inc.  
® Registered trademark of Hunter Douglas Inc. ™ Trademark of Hunter Douglas Inc.  
Patented in the U.S. and foreign countries. Other U.S. and foreign patents pending.  
Swiffer™ is a trademark of Procter & Gamble Company. Pledge® Grab-it™ is a trademark of SC Johnson.

---

## GETTING STARTED

Thank you for purchasing Hunter Douglas Silhouette® or Nantucket™ window shadings. With proper installation, operation, and care, your new shadings will provide years of beauty and performance. Please thoroughly review this instruction booklet before beginning the installation.

### Installation Components Needed

Check the packaging to be sure you have all the components needed to install your shadings. Keep the packaging until the shadings perform to your satisfaction.

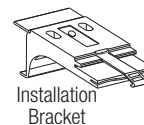
Single Panel Shadings	
Width	Brackets Required
12" - 36"	2
36 $\frac{1}{8}$ " - 79"	3
79 $\frac{1}{8}$ " - 96"	4
96 $\frac{1}{8}$ " - 120"	5

Two-On-One Headrail Shadings	
Width	Brackets Required
12" - 36"	2
36 $\frac{1}{8}$ " - 79"	3
79 $\frac{1}{8}$ " - 108"	4
108 $\frac{1}{8}$ " - 144"	5

### Required Components

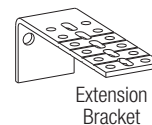
- **Universal Cord Tensioner.** The tensioner functions as a safety device that makes the cords less accessible to children and pets.

- **Installation Brackets.** The number of brackets required varies with shading width, as shown in the above tables.

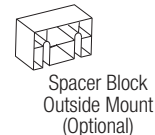


### Optional Components

- **Extension Brackets.** Extension brackets can add up to 3 $\frac{1}{2}$ " of clearance for outside mounts. If ordered, there should be the same number of extension brackets as installation brackets.



- **Spacer Blocks.** Each spacer block projects the installation bracket  $\frac{1}{2}$ " away from the mounting surface. If ordered, there should be a maximum of three spacer blocks per installation bracket.



- **Hold-Down Brackets.** Hold-down brackets secure the bottom rail from movement (i.e. often used in French door applications). Hold-down brackets are not available on Two-On-One Headrail shadings.



## GETTING STARTED

---

### Tools And Fasteners Needed

- Flat blade and Phillips screwdriver
- Measuring tape and pencil
- Power drill and drill bits  
( $\frac{1}{4}$ " hex driver also recommended)
- Level
- Pliers

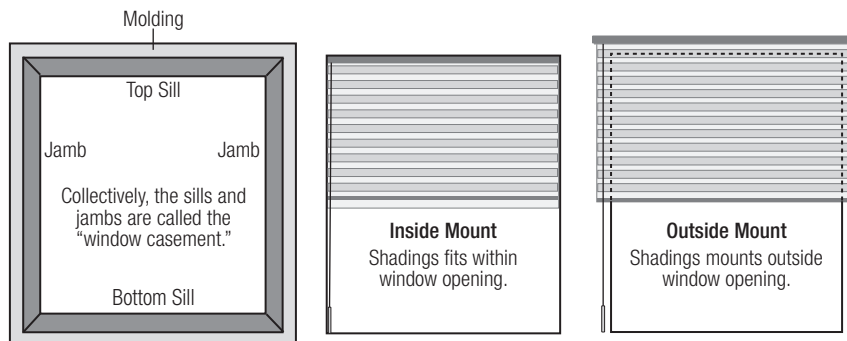
In addition, you will need fasteners designed to work with your specific mounting surface(s).

- **#6 Hex Head Screws (Provided).** Two  $1\frac{1}{2}$ " screws are provided per installation bracket.
- **Wall Anchors (Not Provided).** If mounting into drywall, you will need wall anchors to ensure a secure installation.



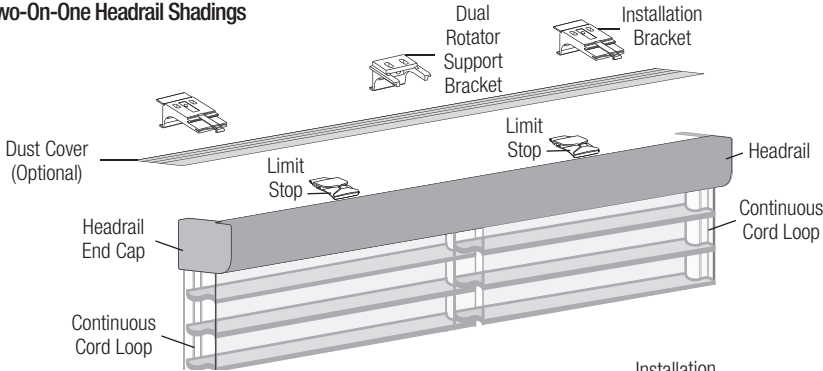
### Mounting Types And Window Terminology

If the installation brackets are mounted correctly, the rest of the installation process follows very easily. To prepare for this important first step, review the mounting types and basic window terminology illustrated below.

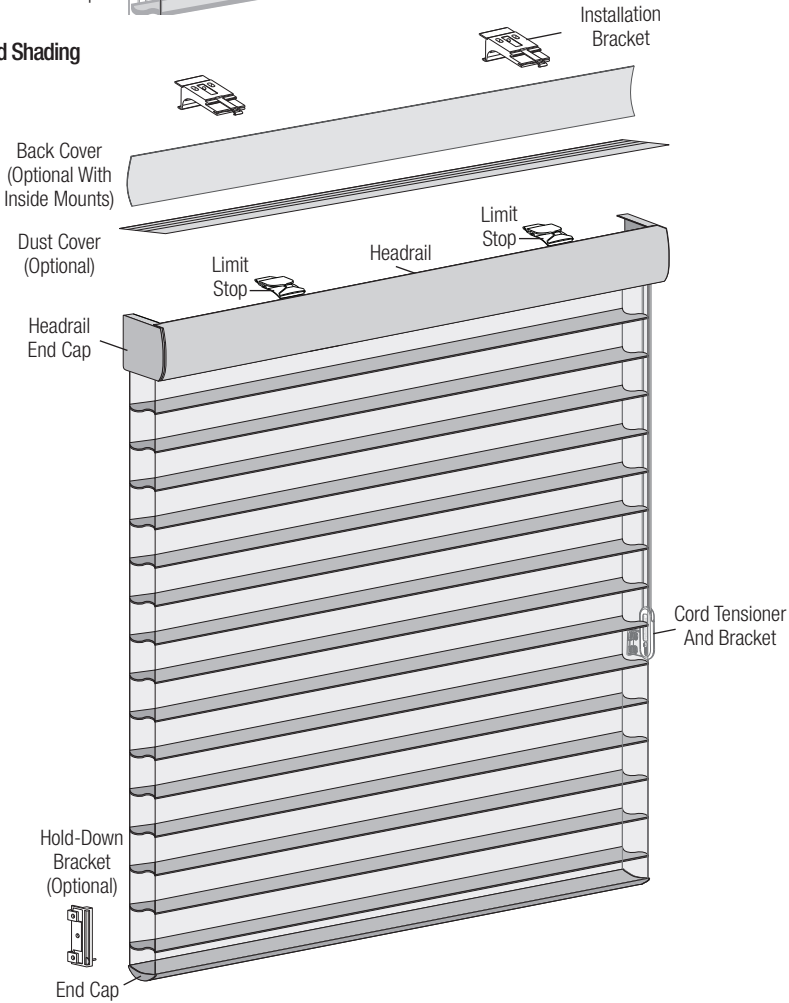


Product View

Two-On-One Headrail Shadings



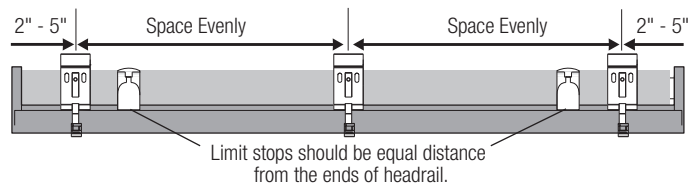
Standard Shading



## INSTALLATION

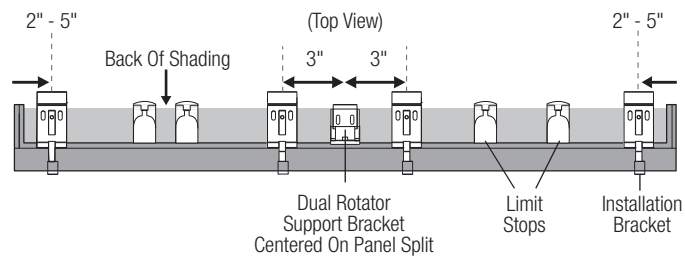
### Mount The Installation Brackets — Inside Mount

- Measure in 2" - 5" from each jamb for bracket location.
- If necessary, limit stops may be carefully slid along the rail to provide clearance for the installation brackets. Make sure they are equal distance from the ends of the headrail.



**CAUTION:** Limit stop angle is set at the factory. Do not push down the limit stops. Incorrect adjustment may damage the shading.

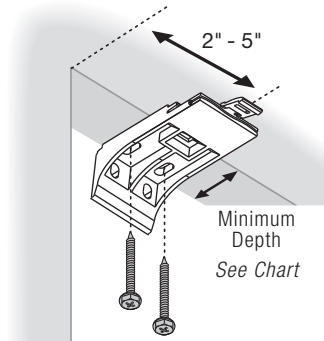
- If more than two installation brackets came with your order, space additional bracket(s) evenly between the two end brackets.
- **Two-On-One Headrail shadings.** A dual rotator support bracket is required and it needs to be centered on the panel split. Place the middle installation brackets 3" away from the dual rotator support bracket, as shown in the illustration below.



## INSTALLATION

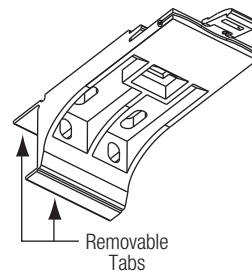
- Mark the location of the pilot holes for the screws.
  - The depth required for minimum mounting or fully recessed mounting will vary depending on the type of bracket used. Refer to the chart below for depth requirements.
  - Add a 1/4" to the minimum depth if using the optional back cover.
  - Typically, fully recessed inside mounting is best for energy efficiency.

Depth Chart For Bracket Placement		
Headrail Type	Minimum	Fully Recessed
Standard	1"	3 1/16"
Oversized	1"	3 1/4"
Quartette™ 4" Vane	1"	3 1/16"



- Using a 1/8" drill bit, drill pilot holes for the mounting screws.
- If using the back cover option, *see Back Cover Installation on page 6*. Otherwise, use pliers to break off the *upper* tab of each installation bracket. Remove the bottom tab on each installation bracket *only* if it interferes with the bracket installation.

**IMPORTANT:** If you are fastening the installation brackets to drywall, be sure to use wall anchors and follow the instructions provided with the anchors. (Anchors not provided.)



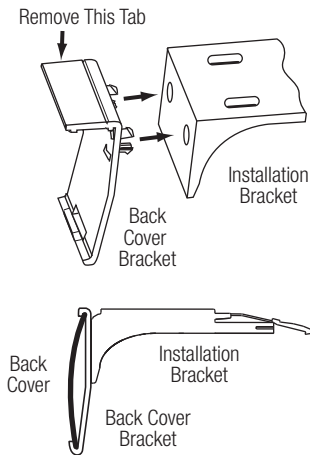
- Use the hex head screws provided with your order to fasten the installation brackets and the dual rotator support bracket (for Two-On-One Headrail shadings) to the mounting surface.
- Use a level to check that the mounting surface is level. Shim the brackets if necessary.

**IMPORTANT:** The front edges of the installation brackets must align to each other.

## INSTALLATION

### Back Cover Installation (Optional)

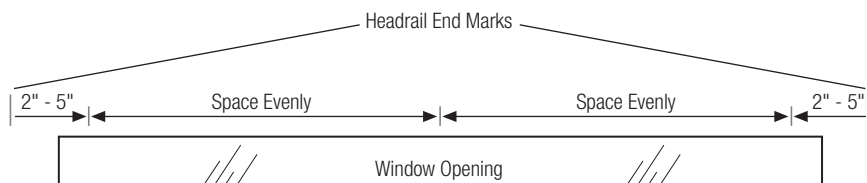
- If using the back cover use pliers to break off the top tab on the back cover bracket and the bottom tab on the installation brackets.
- Snap the prongs on the back cover brackets into the holes on the back of the installation brackets.
- After bracket installation, install the cover into the back bracket, as shown.



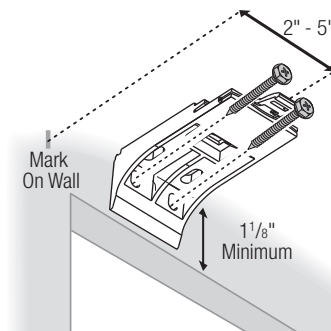
### Mount The Installation Brackets — Outside Mount

A minimum of 1<sup>1</sup>/<sub>8</sub>" flat vertical surface is needed for outside mounts shadings.

- With the shading in the lowered position, center it over the window opening at the desired height. Use a pencil to lightly mark where the headrail ends are located.



- Alternatively, measure the width of the headrail and use this measurement to determine where the ends of the headrail will be located.
- Mark bracket locations by using a pencil to lightly mark 2" - 5" in from each headrail end location.
- Mark where to drill holes for the mounting screws by centering an installation bracket on each mark.
  - The top of the installation brackets should be at the height where you want the top of the headrail to be located, and on the same level.
  - If using spacer blocks, center the blocks on each mark to determine where to drill holes.
  - The rear of the blocks must be flush against a flat vertical mounting surface. Do not mount brackets on curved molding.



## INSTALLATION

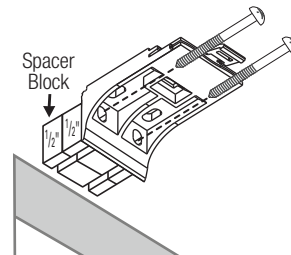
- Use pliers to break off both tabs on each installation bracket.
- Use a  $\frac{1}{8}$ " drill bit to drill the holes for the mounting screws.

**IMPORTANT:** If you are fastening the mounting brackets to drywall, be sure to use wall anchors and follow the instructions provided with the anchors. (Anchors not provided.)

- Fasten the installation brackets to the mounting surface using the two rear holes. Use the hex head screws provided with your order.
  - Use a level to check that the brackets are level and aligned.

**IMPORTANT:** The front edges of the installation brackets must align with each other and be level after mounting.

- If using spacer blocks, fasten these to the mounting surface. Be sure to use #6 mounting screws long enough for a secure installation. (Screws not provided.)

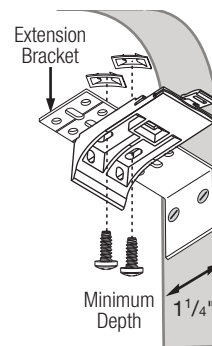


**IMPORTANT:** Quartette™ 4" shadings can only be installed with one spacer block, all other shading have a maximum of three.

### Mount The Installation Brackets — End Mount

End mount the headrail when conventional mounting techniques will not work, for example, in an arched window. Two-On-One Headrail shadings can not be end mounted.

- Mount the extension brackets on a surface at least  $1\frac{1}{4}$ " wide.
  - Add  $\frac{1}{4}$ " to the minimum depth if using the optional back cover, see *Back Cover Installations on page 6*.
- Attach the installation brackets to the extension brackets using the hex head screws and speed nuts provided.



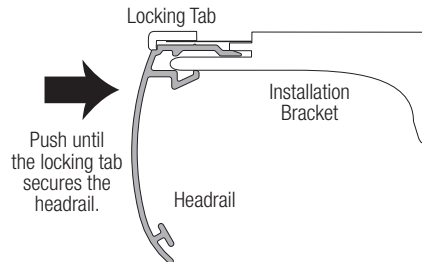
**CAUTION:** To end mount shadings wider than 48" into a surface other than a secure wall stud, use medium to heavy-duty wall anchors (not provided) matched to the wall thickness. Failure to mount the brackets securely may result in injury or property damage.

## INSTALLATION

---

### Install The Shading

- Peel back the protective covering from the top of the headrail.
- Hold the shading so the front faces you.
- Push the top edge of the headrail under the locking tab on the installation bracket until it snaps into place. The locking tab will be visible.
- Remove the protective covering from the headrail.



**CAUTION:** Failure to snap the headrail securely into the installation brackets and secure the locking tabs may cause the shading to release unexpectedly.

### Secure The Cord Tensioner

- It is imperative that the cord tensioner be properly secured to the wall or window frame to reduce children's access to the cord loop. Young children can strangle in cord loops. They can also wrap cords around their necks and strangle.
- Furthermore, the shading will not operate properly unless the cord tensioner is secured. A cord tensioner installation kit has been included with your shading. Follow the instructions in the kit to correctly secure the cord tensioner.

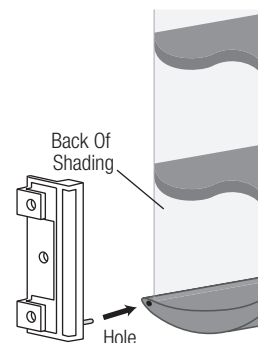
**IMPORTANT:** See the Child Safety Section on page 16.

### Attach The Hold-Down Brackets

Hold-down brackets secure the bottom rail to the sill and are **required** for tilt-only shadings.

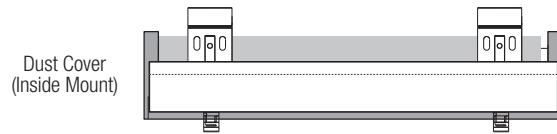
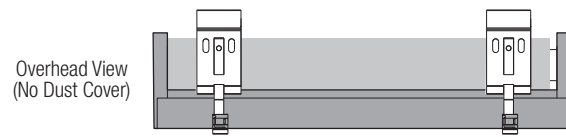
- Insert the pin on the hold-down bracket into the hole on the bottom rail end cap.
- Mark the mounting hole locations on the mounting surface.
- Center the hold-down brackets over the mounting hole locations and check their alignment.
- Attach using two screws.

**IMPORTANT:** Disconnect the bottom rail from the hold-down brackets to raise the shading.



**Attach The Dust Cover (Optional)**

- Use the entire cover on outside mounts.
- On inside mounts, trim the cover along a score to fit over the portion of the headrail that protrudes from the window frame.
- When using extension brackets, cut the cover to fit between the extension brackets.
- Peel the backing from the double-sided tape to attach the cover to the headrail.



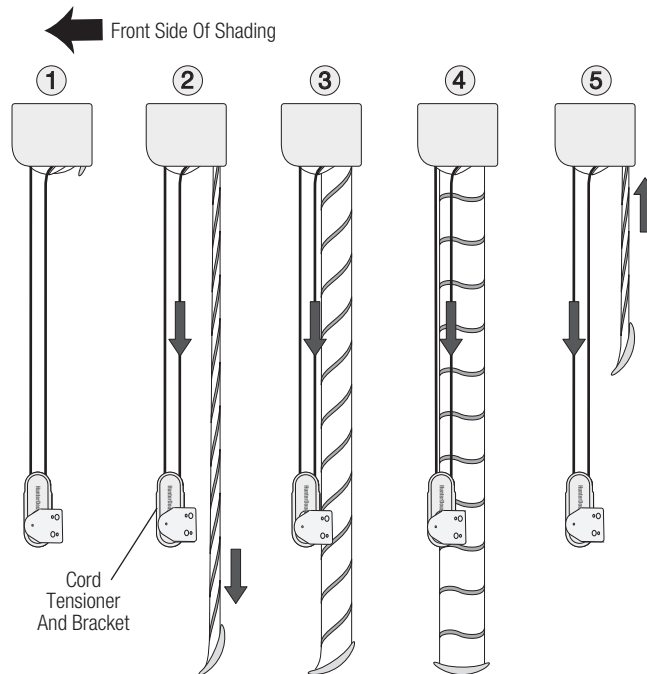
Cut along a score to size the dust cover to fit any exposed part of the headrail assembly.

## OPERATION

---

### Operate The Shading

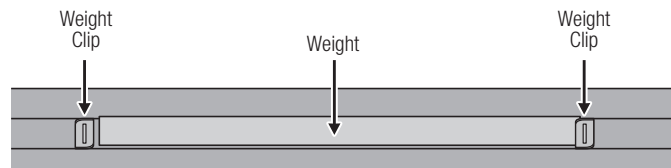
- Pull the rear cord of the cord loop to lower the shading.
- With the shading fully lowered, continue to pull the rear cord to tilt the bottom rail and open the vanes.
- Pull the front cord of the cord loop to close the vanes and raise the shading.
- If the cord tensioner moves up the cord, you have not secured it to the wall or window frame. You must do so for the shading to operate properly.



## Adjust The Shading

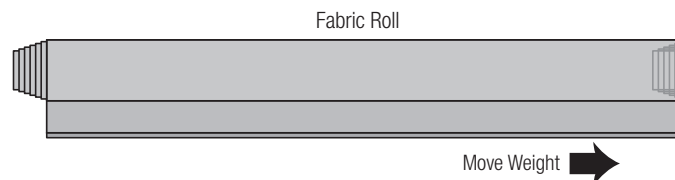
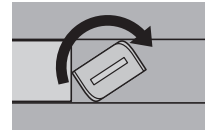
### Test The Shading

- Lower the shading, then slowly raise it.
- If the fabric rolls unevenly or rubs against the end cap, check that the headrail is level. Level, if necessary.
- If the fabric still rolls unevenly, the window may be out of square. Check that the window is square by measuring the diagonals. Shim the brackets, if necessary.
- If the headrail is level and the window is square, adjust the bottom rail weight.



### Adjust The Bottom Rail Weight

- To release, insert a flat blade screwdriver into a weight clip and turn clockwise.
- Move the weight in 1" increments toward the side where the fabric is gathering.



- Secure the weight clips in position by turning them counterclockwise after making the adjustment.
- Test and if necessary, adjust again.

**IMPORTANT:** Skew adjustment is not possible by moving the Limit Stops.

## OPERATION

---

### Troubleshooting

Problem	Solution
Vanes do not align on side-by-side shadings.	<ul style="list-style-type: none"><li>■ Vane alignment is only guaranteed within 1/4" when shadings are ordered at the same time, at the same height, with the same color and fabric, and when specified on the order form.</li><li>■ Check that the windows are square and the same height.</li></ul>
The shading is hard to raise or lower, or will not raise or lower.	<ul style="list-style-type: none"><li>■ Shadings cannot be forced into tight inside mount window openings. If an inside mount, check that the shading is installed correctly. Make sure there is clearance between the ends of the shading and the window casement.</li><li>■ Check that the installation brackets are level. Shim to level, if necessary.</li><li>■ If hold-down brackets are used, make sure they have been released.</li><li>■ Make sure the fabric is not caught.</li></ul>
The shading raises or lowers unevenly or the bottom rail is uneven when fully raised.	<ul style="list-style-type: none"><li>■ Check that the window is square by measuring the diagonals.</li><li>■ Check that the installation brackets are level. Shim to level, if necessary.</li><li>■ Adjust the bottom rail weight.</li></ul>
The shading will not snap into the installation brackets.	<ul style="list-style-type: none"><li>■ Check that the installation brackets are aligned and level.</li><li>■ Check that the locking tab on the installation bracket slides over the headrail.</li></ul>
The universal cord tensioner has climbed to the headrail.	<ul style="list-style-type: none"><li>■ Pull down on the spring to relieve tension and pull the universal cord tensioner to the bottom of the cord loop. Properly mount the cord tensioner. <i>See Universal Cord Tensioner Installation Instructions.</i></li></ul>

## OPERATION

<b>Problem</b>	<b>Solution</b>
The universal cord tensioner grabs onto the cord upon operation.	<ul style="list-style-type: none"><li>■ Check that the universal cord tensioner is mounted properly. Reinstall, if necessary.</li></ul>
<b>Two-On-One Headrail Shadings</b> The center gap is not even from the top to the bottom of the shading, interfering with the function of the shading.	<ul style="list-style-type: none"><li>■ Ensure the dual rotator support bracket is centered on the panel split. <i>See Two-On-One Headrail shadings on page 4.</i></li><li>■ Ensure the entire length of the headrail is straight and level. If the center portion of the headrail is higher than the ends, the center gap will close together. If the center portion of the headrail is lower than the ends, the center gap increases. If necessary, adjust the height of each bracket by moving it within the slots or by using shims.</li></ul>

## CARE

---

### Cleaning Procedures

Silhouette® and Nantucket™ window shadings are made of 100% polyester, which means they are inherently durable and resilient. However, care must be taken to avoid wrinkling the fabric, particularly where the vanes meet the facings.

#### The Palette® Fabric-Covered Headrail

Hand wash using a sponge or delicate cloth and mild soap solution; handle with care as you would any fine fabric.

#### Dusting

Regular light dusting with a feather duster is all the cleaning that is needed in most circumstances.

#### Vacuuming

Use a low suction, hand-held vacuum for more thorough dust removal.

#### Forced Air

Blow away dirt and debris between the vanes using clean compressed air.

#### Spot-Cleaning

Do not spot-clean Silhouette or Nantucket window shadings.

#### Ultrasonic Cleaning

Silhouette and Nantucket window shadings can be ultrasonically cleaned by a professional, **with the exception of Matisse Bon Soir™ and Misty Harbor™ light-dimming fabrics.**

- Specify that a mild detergent solution be used.
- Never immerse the headrail in the solution.
- Dry the shading completely in the lowered position.

#### Injection/Extraction

Silhouette and Nantucket window shadings can be professionally cleaned using the injection/extraction method.

- A dry method of injection/extraction is required for Bon Soir, Matisse Collection®, Misty Harbor, Tres Vue™.
- Never immerse the headrail in the solution.

#### Electrostatic Cleaning

**Do not use electrostatic cleaning devices such as Swiffer™ or Pledge® Grab-it™ on any Silhouette or Nantucket window shadings.**

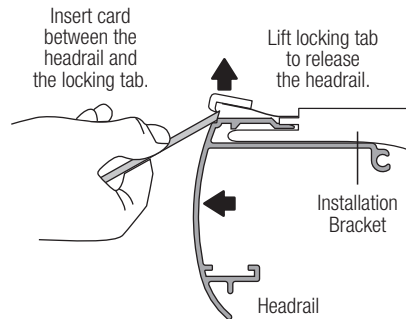
**A Note About Silhouette® And Nantucket™ Fabric**

As with all textiles, Silhouette and Nantucket fabrics are subject to some variations. Slight wrinkling, puckering, or bowing is inherent to this textile product and should be considered normal, acceptable quality. These characteristics are not usually visible from the front or rear but may be visible from a side angle.

Precautions should be taken to reduce exposure to harsh environmental elements, such as salt air. Continuous exposure through open windows and doors will accelerate the fabric deterioration.

**Remove The Shading**

- Raise the shading all the way into the headrail.
- While holding the headrail, use the quick release card that came with your order to release the locking tab on the mounting brackets.
- While the locking tab is released, slide the headrail slightly out from the brackets.
- Once all locking tabs are released, remove the shading from the brackets.



## CHILD SAFETY

---



# ! WARNING

**For more safety information call 1-888-501-8364  
in the U.S. or 1-866-662-0666 in Canada.**

Young children can **STRANGLE** in cord loops. They can also wrap cords around their necks and **STRANGLE**.

- **Always keep cords out of the reach of children.**
- **Move cribs, playpens and other furniture away from cords.** Children can climb furniture to get to cords.
- **Attach the cord tensioner on the cord loop to the wall or window casement.** This can prevent children from pulling cord loops around their necks.
- **Hunter Douglas provides a cord tensioner installation kit, with instructions.** for attaching the cord tensioner. For the shading to operate properly, the cord tensioner must be correctly mounted and secured.
- **Only Hunter Douglas supplied cord tensioners and hardware should be used.** Replacement parts may be obtained by contacting the Hunter Douglas Customer Information Center at 1-888-501-8364.



# HunterDouglas

LIGHT CAN CHANGE EVERYTHING®

[hunterdouglas.com](http://hunterdouglas.com)

5107658000



3/08