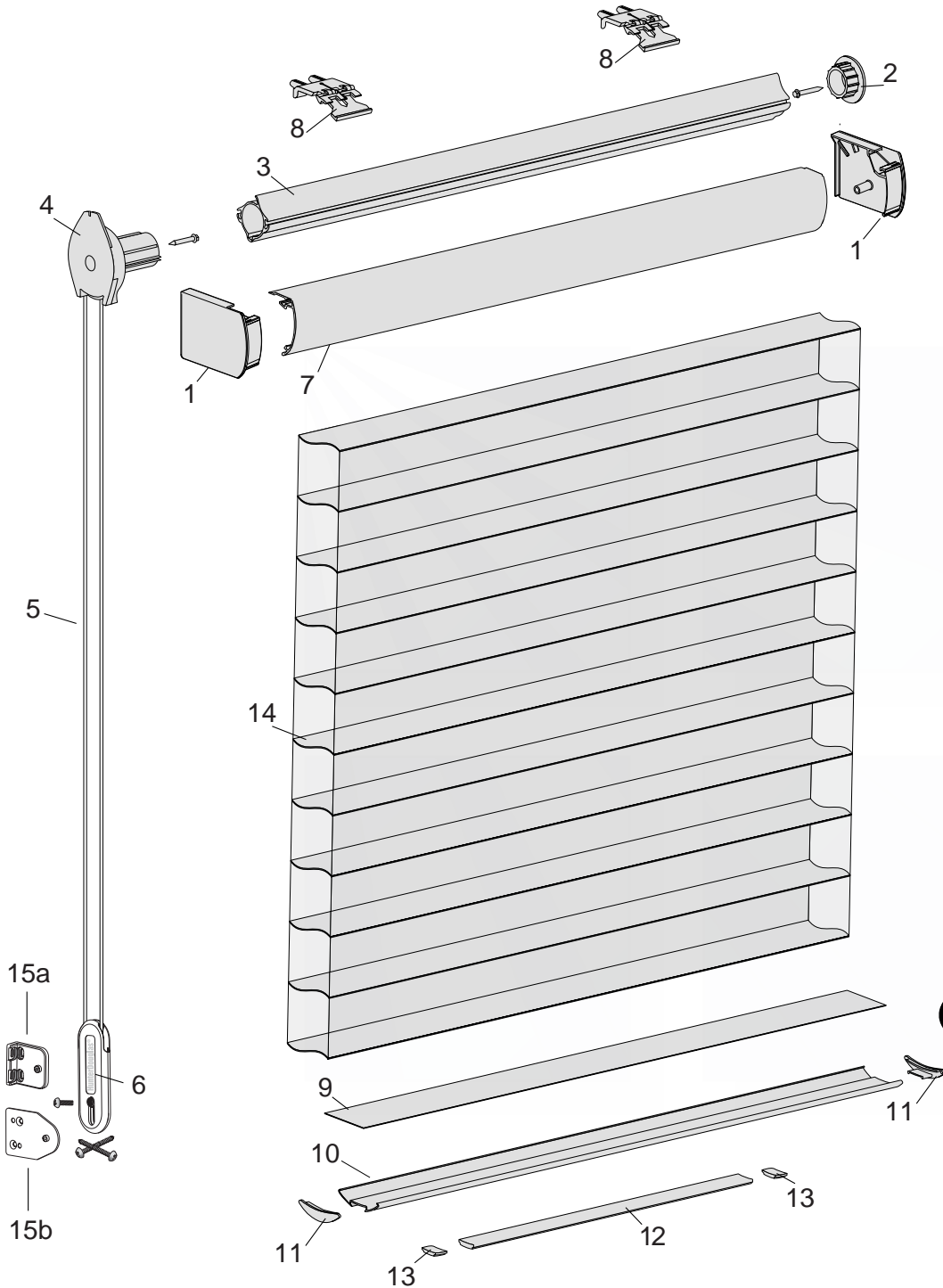


Silhouette® Standard Rectangular*



Standard Parts

1. Headrail End Caps
2. Rotator
3. Rotator Rail
4. Clutch Assembly
5. Cord Loop
6. Universal Cord Tensioner
7. Headrail
8. Limit Assemblies
9. Bottom Slat
10. Bottom Rail
11. Bottom Rail End Caps
12. Balance Weight
13. Weight Clips
14. Fabric
- 15a. Universal Cord Tensioner Mounting Bracket
- 15b. Universal Cord Tensioner Mounting Bracket Flush Mount

* On RR03 System

Silhouette® Standard Rectangular*

No.	PCN	Description
1.	4170020xxx 4150060xxx	Headrail End Caps – Oversized Headrail End Caps – Standard (Not Shown)
2.	4150119000 4150158000	Rotator Screw (Rotator)
3.	4170030785 4150187785	Rotator Rail – Oversized Rotator Rail – Standard (Not Shown)
4.	4150032000 4150159000	Clutch Assembly Screw (Clutch)
5.	4190020xxx 4190030xxx 4190040xxx 4190050xxx	2' Cord Loop 3' Cord Loop 4' Cord Loop 5' Cord Loop
6.	4153028xxx	Universal Cord Tensioner
7.	4170010xxx 4150010xxx	Headrail – Oversized Headrail – Standard
8.	4170050885 4150050885	Limit Assemblies – Oversized Limit Assemblies – Standard (Not Shown)
9.	4150144xxx 4150153xxx 4150365xxx 4150366xxx	Bottom Slat – A1, A2, A4, A5, A7, A8 & A11 Fabrics Bottom Slat – A3 & A6 Fabrics Bottom Slat – A12 Fabric Bottom Slat – A13 Fabric
10.	4150128xxx	Bottom Rail
11.	4150084xxx	Bottom Rail End Caps
12.	4150082xxx	Balance Weight
13.	4150083xxx	Weight Clips
14.	N/A	Fabrics A1, A2, A3, A4, A5, A6, A7, A8, A11, A12 & A13
15a.	4153052000	Universal Cord Tensioner Mounting Bracket Kit
15b.	4154898000	Universal Cord Tensioner Flush Mounting Bracket Kit
16.	4150154785	Polystrip With Tape (Not Shown)

Additional Hardware:

(For pictures & specifics, see Silhouette® Standard Additional Hardware)

4150241000	Quick Release Installation Bracket
4150121000	Quick Release Installation Bracket Screws
4150104000	2-Pack Quick Release Installation Brackets with Screws
4150105000	3-Pack Quick Release Installation Brackets with Screws

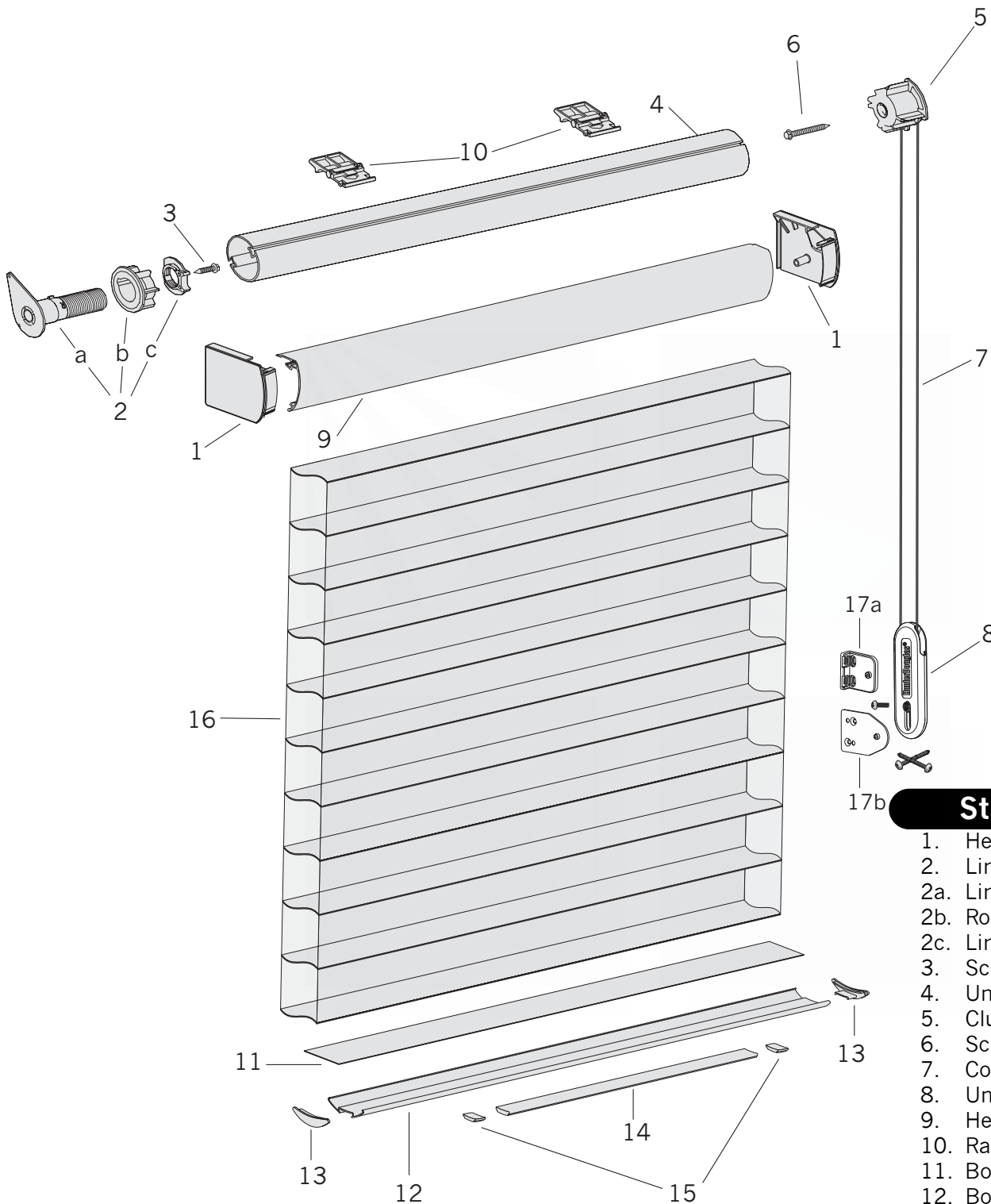
Optional Hardware:

2930230000	Spacer Block
2930340000	Extension Bracket
4150103000	Hold-Down Bracket
4150149000	Back Cover
4150256000	Back Cover Bracket
4150070785	Dust Cover

xxx = 3-digit color code

* On RRO3 System

Silhouette® Standard Rectangular with Universal Rotator Rail



Standard Parts

1. Headrail End Caps
2. Limit Screw Assembly
- 2a. Limit Screw
- 2b. Rotator
- 2c. Limit Nut
3. Screw
4. Universal Rotator Rail
5. Clutch Assembly
6. Screw
7. Cord Loop
8. Universal Cord Tensioner
9. Headrail
10. Ratchet Limit Assembly
11. Bottom Slat
12. Bottom Rail
13. Bottom Rail End Caps
14. Balance Weight
15. Weight Clips
16. Fabric
- 17a. Universal Cord Tensioner Mounting Bracket
- 17b. Universal Cord Tensioner Mounting Bracket Flush Mount

Silhouette® Standard Rectangular with Universal Rotator Rail

No.	PCN	Description
1.	4170020xxx	Headrail End Caps – Oversized
	4150060xxx	Headrail End Caps – Standard
2.	4153244000	Limit Screw Assembly, RH URR
	4153245000	Limit Screw Assembly, LH URR
2a.	N/A	Limit Screw
2b.	N/A	Rotator
2c.	N/A	Limit Nut
3.	4150158000	Screw (Rotator Assembly)
4.	4150216785	Universal Rotator Rail
5.	4153079000	Clutch Assembly
6.	4150159000	Screw (Clutch)
7.	4190020xxx	2' Cord Loop
	4190030xxx	3' Cord Loop
	4190040xxx	4' Cord Loop
	4190050xxx	5' Cord Loop
8.	4153028xxx	Universal Cord Tensioner
9.	4170010xxx	Headrail – Oversized
	4150010xxx	Headrail – Standard
10.	4153090000	Ratchet Limit Assembly
11.	4150144xxx	Bottom Slat – A1, A2, A4, A5, A7, A8 & A11 Fabrics
	4150153xxx	Bottom Slat – A3 & A6 Fabrics
	4150365xxx	Bottom Slat – A12 Fabric
	4150366xxx	Bottom Slat – A13 Fabric
12.	4150128xxx	Bottom Rail
13.	4150084xxx	Bottom Rail End Caps
14.	4150082xxx	Balance Weight
15.	4150083xxx	Weight Clips
16.	N/A	Fabrics A1, A2, A3, A4, A5, A6, A7, A8, A11, A12 & A13
17a.	4153052000	Universal Cord Tensioner Mounting Bracket Kit
17b.	4154898000	Universal Cord Tensioner Flush Mounting Bracket Kit
18.	4150154785	Polystrip With Tape (Not Shown)

Additional Hardware:

(For pictures & specifics, see Silhouette® Standard Additional Hardware)

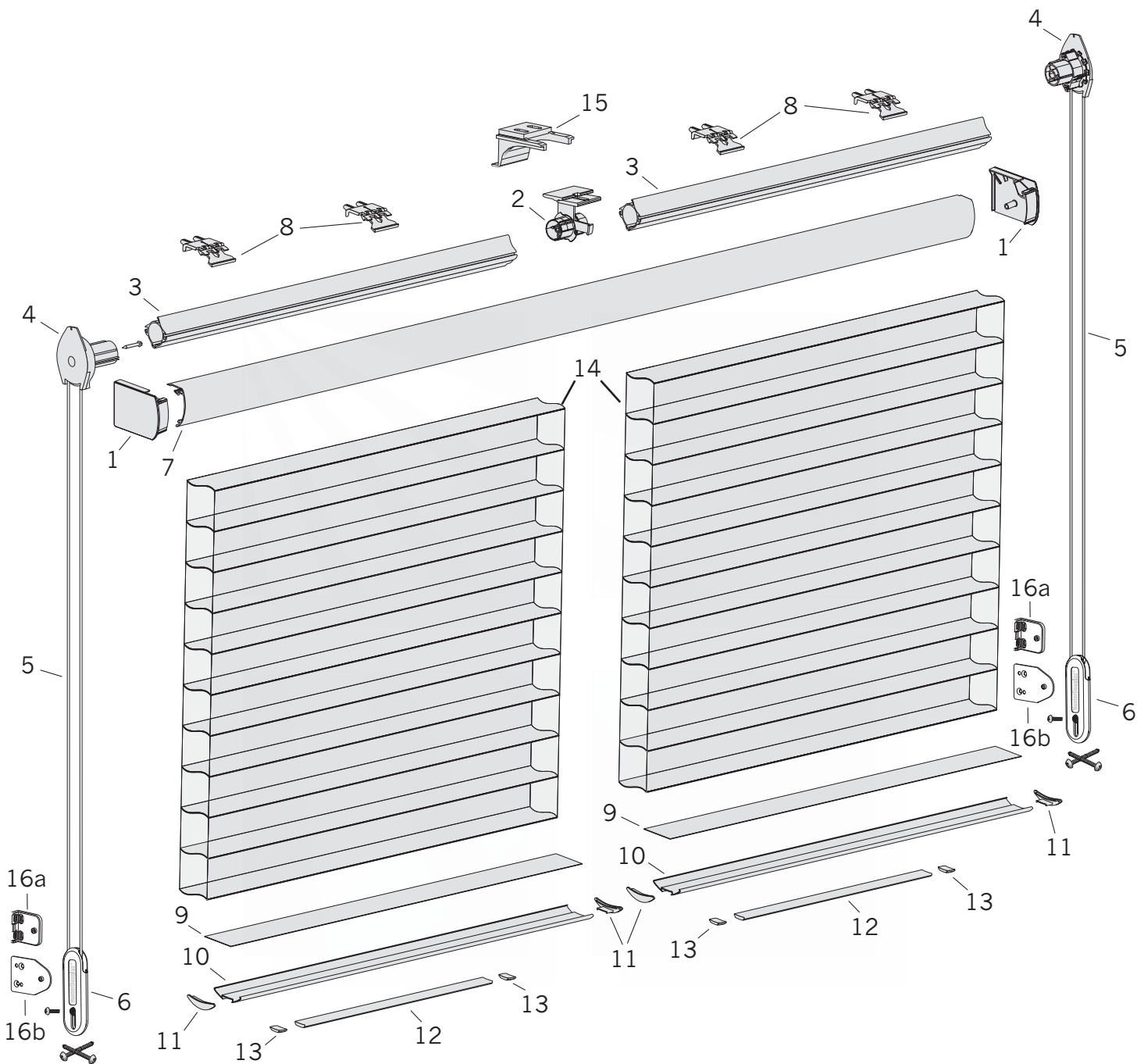
4150241000	Quick Release Installation Bracket
4150121000	Quick Release Installation Bracket Screws
4150104000	2-Pack Quick Release Installation Brackets with Screws
4150105000	3-Pack Quick Release Installation Brackets with Screws

Optional Hardware:

2930230000	Spacer Block
2930340000	Extension Bracket
4150103000	Hold-Down Bracket
4150149000	Back Cover
4150256000	Back Cover Bracket
4150070785	Dust Cover

xxx = 3-digit color code

Silhouette® Two-On-One Headrail*



* On RR03 System

Standard Parts

- | | | |
|-----------------------------|-------------------------|--|
| 1. Headrail End Caps | 8. Limit Assembly | 15. Ramp Bracket |
| 2. Dual Rotator Assembly | 9. Bottom Slat | 16a. Universal Cord Tensioner
Mounting Bracket |
| 3. Rotator Rail | 10. Bottom Rail | 16b. Universal Cord Tensioner
Mounting Bracket
Flush Mount |
| 4. Clutch Assembly | 11. Bottom Rail End Cap | |
| 5. Cord Loop | 12. Bottom Rail Weight | |
| 6. Universal Cord Tensioner | 13. Weight Clip | |
| 7. Headrail | 14. Fabric | |

Silhouette® Two-On-One Headrail*

No.	PCN	Description
1.	4150060xxx 4170020xxx	Headrail End Caps – Standard Headrail End Caps – Oversized
2.	4153061000 4153062000	Dual Rotator Assembly – Standard Dual Rotator Assembly – Oversized
3.	4150187785 4170030785	Rotator Rail – Standard Rotator Rail – Oversized
4.	4150032000 4150159000	Clutch Assembly Screw (Clutch)
5.	4190020xxx 4190030xxx 4190040xxx 4190050xxx	2' Cord Loop 3' Cord Loop 4' Cord Loop 5' Cord Loop
6.	4153028xxx	Universal Cord Tensioner
7.	4150010xxx 4170010xxx	Headrail – Standard Headrail – Oversized
8.	4150050885 4170050885	Limit Assembly – Standard Limit Assembly – Oversized
9.	4150144xxx 4150153xxx 4150365xxx 4150366xxx	Bottom Slat – A1, A2, A4, A5, A7, A8 & A11 Fabrics Bottom Slat – A3 & A6 Fabrics Bottom Slat – A12 Fabric Bottom Slat – A13 Fabric
10.	4150128xxx	Bottom Rail
11.	4150084xxx	Bottom Rail End Cap
12.	4150082xxx	Bottom Rail Weight (Balance Weight)
13.	4150083xxx	Weight Clip
14.	N/A	Fabrics A1, A2, A3, A4, A5, A6, A7, A8, A11, A12 & A13
15.	4153031000 4153030000	Ramp Bracket – Standard Ramp Bracket – Oversized
16a.	4153052000	Universal Cord Tensioner Mounting Bracket Kit
16b.	4154898000	Universal Cord Tensioner Flush Mounting Bracket Kit
17.	4150154785	Polystrip With Tape (Not Shown)

Additional Hardware:

(For pictures & specifics, see Silhouette® Standard Additional Hardware)

4150241000	Quick Release Installation Bracket
4150121000	Quick Release Installation Bracket Screws
4150104000	2-Pack Quick Release Installation Brackets with Screws
4150105000	3-Pack Quick Release Installation Brackets with Screws

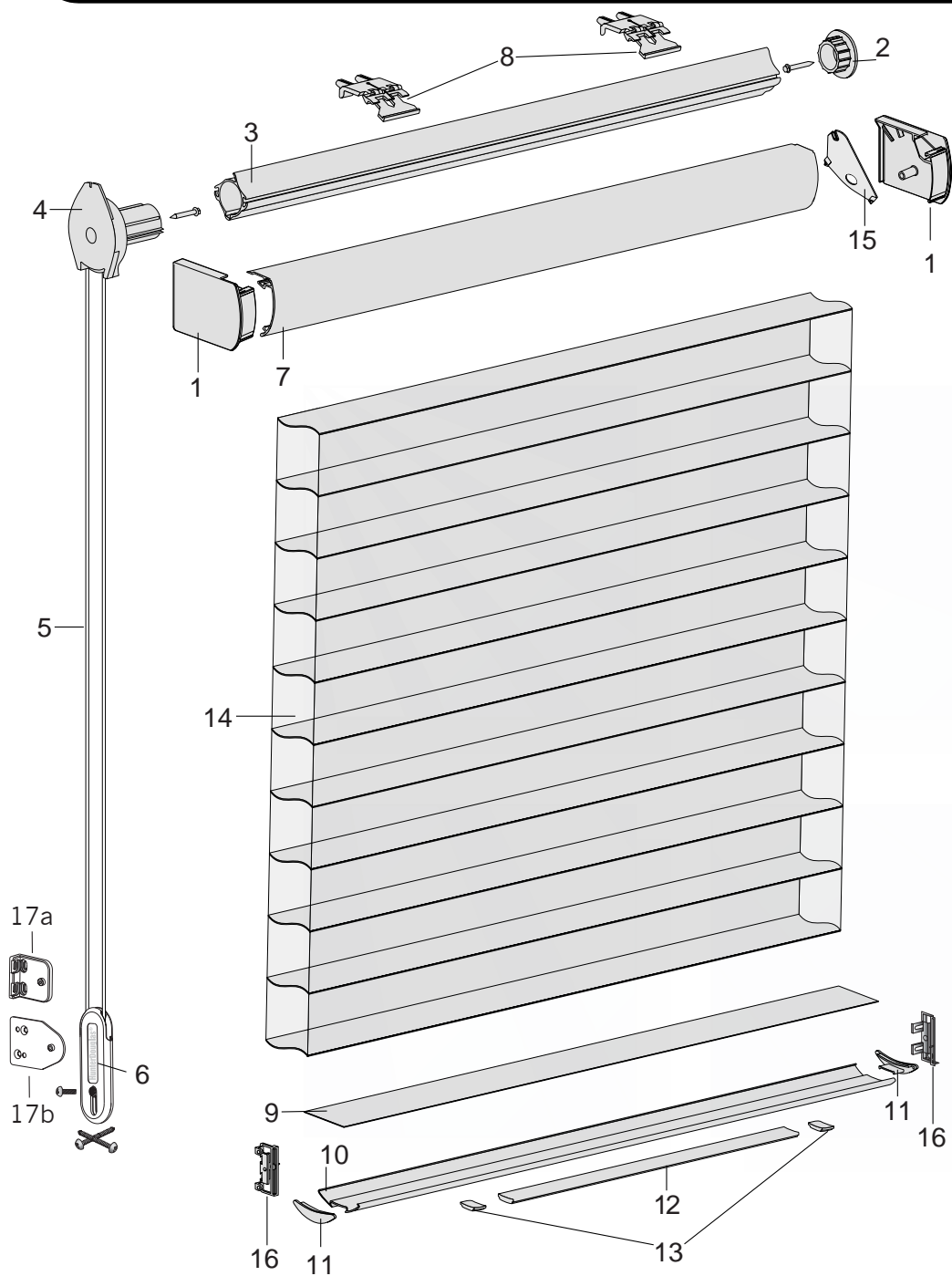
Optional Hardware:

2930230000	Spacer Block
2930340000	Extension Bracket
4150103000	Hold-Down Bracket
4150149000	Back Cover
4150256000	Back Cover Bracket
4150070785	Dust Cover

xxx = 3-digit color code

* On RRO3 System

Silhouette® Tilt Only*



Standard Parts

1. Headrail End Caps
2. Rotator
3. Rotator Rail
4. Clutch Assembly
5. Cord Loop
6. Universal Cord Tensioner
7. Headrail
8. Limit Assemblies
9. Bottom Slat
10. Bottom Rail
11. Bottom Rail End Caps
12. Balance Weight
13. Weight Clips
14. Fabric
15. Stationary Clip
16. Hold-Down Brackets
- 17a. Universal Cord Tensioner Mounting Bracket
- 17b. Universal Cord Tensioner Mounting Bracket Flush Mount

* On RR03 System

Silhouette® Tilt Only*

No.	PCN	Description
1.	4170020XXX	Headrail End Caps – Oversized
	4150060XXX	Headrail End Caps – Standard (Not Shown)
2.	4150119000	Rotator
	4150158000	Screw (Rotator)
3.	4170030785	Rotator Rail – Oversized
	4150187785	Rotator Rail – Standard (Not Shown)
4.	4150032000	Clutch Assembly
	4150159000	Screw (Clutch)
5.	4190020XXX	2' Cord Loop
	4190030XXX	3' Cord Loop
	4190040XXX	4' Cord Loop
	4190050XXX	5' Cord Loop
6.	4153028XXX	Universal Cord Tensioner
7.	4170010XXX	Headrail – Oversized
	4150010XXX	Headrail – Standard
8.	4170050885	Limit Assemblies – Oversized
	4150050885	Limit Assemblies – Standard (Not Shown)
9.	4150144XXX	Bottom Slat – A1, A2, A4, A5, A7, A8 & A11 Fabrics
	4150153XXX	Bottom Slat – A3 & A6 Fabrics
	4150365XXX	Bottom Slat – A12 Fabric
	4150366XXX	Bottom Slat – A13 Fabric
10.	4150128XXX	Bottom Rail
11.	4150084XXX	Bottom Rail End Caps
12.	4150082XXX	Balance Weight
13.	4150083XXX	Weight Clips
14.	N/A	Fabrics A1, A2, A3, A4, A5, A6, A7, A8, A11, A12 & A13
15.	4150155000	Stationary Clip
16.	4150103000	Hold-Down Bracket
17a.	4153052000	Universal Cord Tensioner Mounting Bracket Kit
17b.	4154898000	Universal Cord Tensioner Flush Mounting Bracket Kit
18.	4150154785	Polystrip With Tape (Not Shown)

Additional Hardware:

(For pictures & specifics, see Silhouette® Standard Additional Hardware)

4150241000	Quick Release Installation Bracket
4150121000	Quick Release Installation Bracket Screws
4150104000	2-Pack Quick Release Installation Brackets with Screws
4150105000	3-Pack Quick Release Installation Brackets with Screws

Optional Hardware:

2930230000	Spacer Block
2930340000	Extension Bracket
4150149000	Back Cover
4150256000	Back Cover Bracket
4150070785	Dust Cover

xxx = 3-digit color code

* On RRO3 System

Silhouette® Tilt Only with Universal Rotator Rail

No.	PCN	Description
1.	4170020XXX 4150060XXX	Headrail End Caps – Oversized Headrail End Caps – Standard
2.	4153244000 4153245000	Limit Screw Assembly, RH URR Limit Screw Assembly, LH URR
2a.	N/A	Limit Screw
2b.	N/A	Rotator
2c.	N/A	Limit Nut
3.	4150158000	Screw (Rotator)
4.	4150216785	Universal Rotator Rail
5.	4153079000	Clutch Assembly
6.	4150159000	Screw (Clutch)
7.	4190020XXX 4190030XXX 4190040XXX 4190050XXX	2' Cord Loop 3' Cord Loop 4' Cord Loop 5' Cord Loop
8.	4153028XXX	Universal Cord Tensioner
9.	4170010XXX 4150010XXX	Headrail – Oversized Headrail – Standard
10.	4153090000	Ratchet Limit Assembly
11.	4150144XXX 4150153XXX 4150365XXX 4150366XXX	Bottom Slat – A1, A2, A4, A5, A7, A8 & A11 Fabrics Bottom Slat – A3 & A6 Fabrics Bottom Slat – A12 Fabric Bottom Slat – A13 Fabric
12.	4150128XXX	Bottom Rail
13.	4150084XXX	Bottom Rail End Caps
14.	4150082XXX	Balance Weight
15.	4150083XXX	Weight Clips
16.	N/A	Fabrics A1, A2, A3, A4, A5, A6, A7, A8, A11, A12 & A13
17.	4153085000	URR Tilt-Only Clip
18.	4150103000	Hold-Down Brackets
19a.	4153052000	Universal Cord Tensioner Mounting Bracket Kit
19b.	4154898000	Universal Cord Tensioner Flush Mounting Bracket Kit
20.	4150154785	Polystrip With Tape (Not Shown)

Additional Hardware:

(For pictures & specifics, see Silhouette® Standard Additional Hardware)

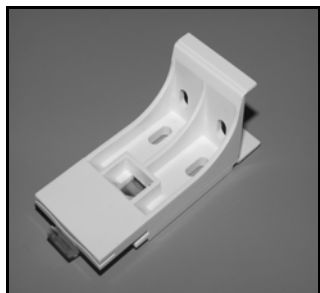
4150241000	Quick Release Installation Bracket
4150121000	Quick Release Installation Bracket Screws
4150104000	2-Pack Quick Release Installation Brackets with Screws
4150105000	3-Pack Quick Release Installation Brackets with Screws

Optional Hardware:

2930230000	Spacer Block
2930340000	Extension Bracket
4150149000	Back Cover
4150256000	Back Cover Bracket
4150070785	Dust Cover

xxx = 3-digit color code

Silhouette® Standard Additional Hardware



Quick Release
Installation Bracket
PCN 4150241000



Quick Release
Installation Bracket Screws
PCN 4150121000

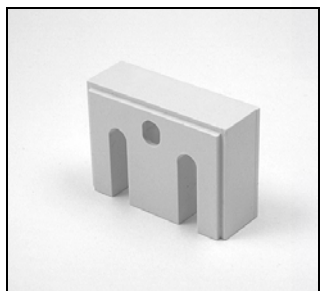


Quick Release
Installation Brackets - 2 Pack
PCN 4150104000

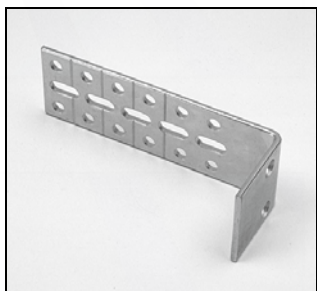


Quick Release
Installation Brackets - 3 Pack
PCN 4150105000

Optional Hardware



Spacer Block
PCN 2930230000



Extension Bracket
PCN 2930340000



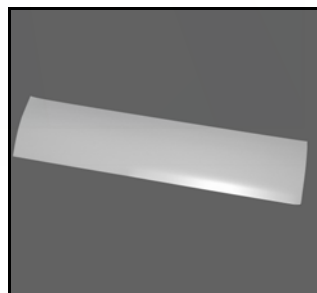
Hold-Down Bracket - 2 per pkg
PCN 4150103000



Cord Tensioner Mounting Kit
PCN 2930562000



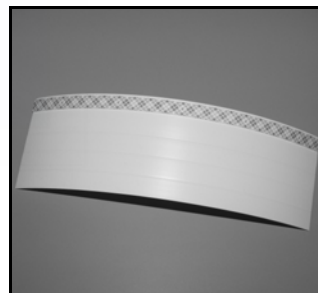
Cord Tensioner Mounting Kit
(Flush Mount)
PCN 4154898000



Back Cover
PCN 4150149000

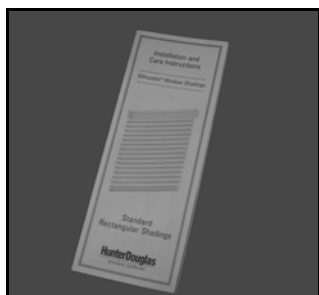


Back Cover Bracket
PCN 4150256000



Dust Cover
PCN 4150070785

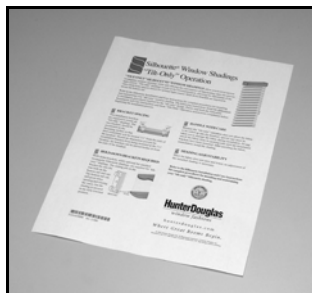
Silhouette® Standard Additional Hardware



Silhouette® Standard Installation Instructions
PCN 5108159000



Silhouette® Two-On-One Installation Instructions
PCN 5107054000



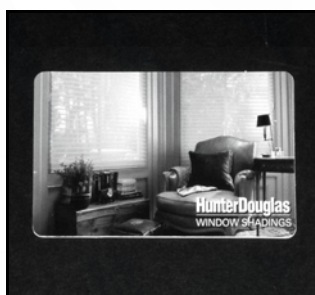
Silhouette® Tilt Only Installation Instructions
PCN 5101433000



About Silhouette®
PCN 5107117000



Silhouette® Adjustment Tool
PCN 5102079000



Quick Release Card
PCN 5108276000



Hunter Douglas Warranty Registration Card
PCN 7107622000