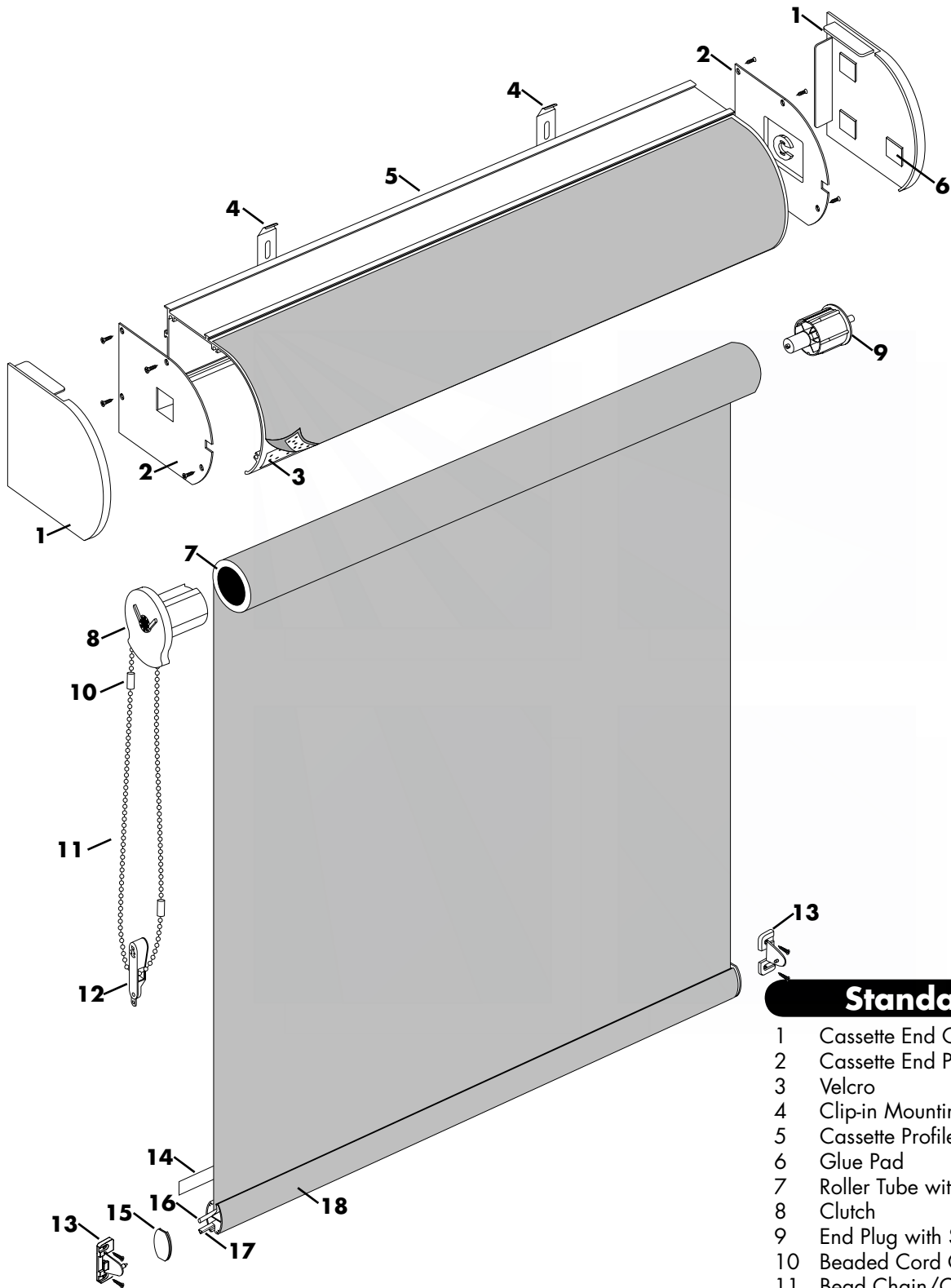


Remembrance® Window Shades with Cassette System



Standard Parts

- 1 Cassette End Cap
- 2 Cassette End Plate with Screws
- 3 Velcro
- 4 Clip-in Mounting Brackets
- 5 Cassette Profile
- 6 Glue Pad
- 7 Roller Tube with Tape
- 8 Clutch
- 9 End Plug with Spring
- 10 Beaded Cord Connector
- 11 Bead Chain/Cord
- 12 Tensioner
- 13 Hold-Down Brackets
- 14 Logo Plate
- 15 Universal Bottom Rail End Cap
- 16 Round Rod
- 17 Triangle Profile
- 18 Universal Bottom Rail

Remembrance® Window Shades with Cassette System

NUMBER	PCN	COMPONENT DESCRIPTION
1	RC456xxxL	Large Cassette End Cap (Logo)
	RC455xxxL	Small Cassette End Cap (Logo)
2	RC456xxx	Large Cassette End Plate Set (L&R)
	RC450060	Small Cassette End Plate Set (L&R)
3	RC445106	Velcro Hook – White
	RC445105	Velcro Loop – White
4	RC450012	Mounting Profile Clip-In Brackets – White
5	RC454xxx	Large Cassette Profile – 16'
	RC453xxx	Small Cassette Profile – 16'
6	RC450059	Glue Pad for End Caps
7	RC450032	Aluminum Roller Tube (25mm with Tape; 16' tube)
	RC450034	Aluminum Roller Tube (38mm with Tape; 16' tube)
8	RC460000	EOS LH Clutch (38mm) – White
	RC450046	EOS RH Clutch (25mm) – White
9	RC450066	End Plug with Spring
10	RC459xxx	Ball Chain Connector
11	RC458xxx	Ball Chain (6mm Pitch)
12	445045	Shade Tensioner (Safety Device)
13	5007311000	Hold-Down Brackets with Screws
14	LIT888081	Brass Hunter Douglas Logo Plate
15	RC443xxxL	Universal Bottom Rail End Caps with Hunter Douglas Logo
16	RC445085	Small Round Profile
	RC445086	Large Round Profile
17	RC445087	Triangular Profile
18	RC44xxxx	Universal Bottom Rod 16'

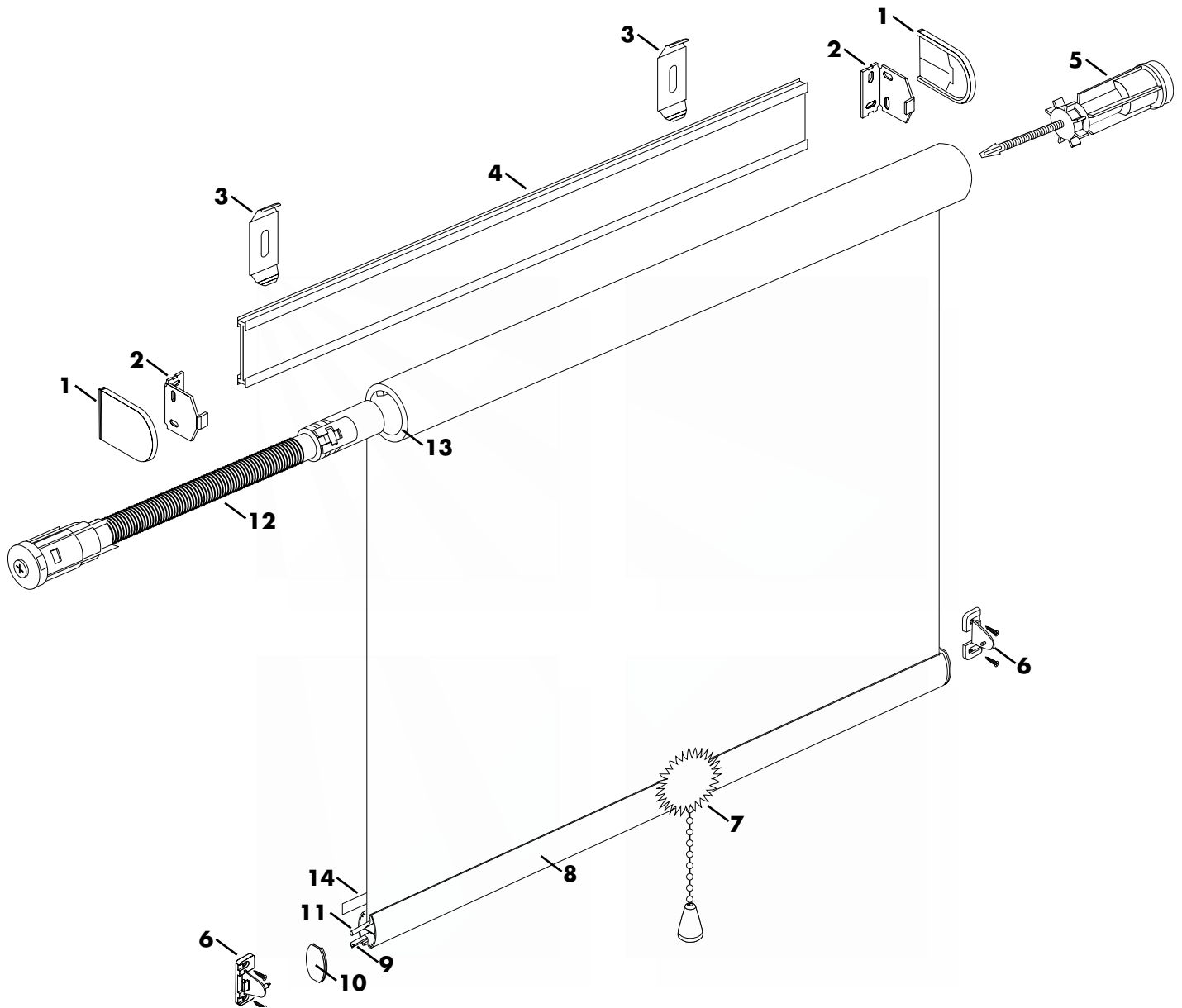
ADDITIONAL COMPONENTS

LIT888094	"Do Not Remove" Sticker (used on outer wrapper of finished shade)
PC557998	Child Safety Kit
888106	HD Safety Warning Tag
888108	Tension Device Safety Tag

SALES AIDS / COLLATERAL MATERIALS

LIT888250	2004 Remembrance® Window Shades Fabricator Price List and Order Form
888202	Remembrance® Window Shades Installation Instructions (including SoftRise® and Cassette)
LIT888241	18" x 24" Cassette Sample Shade
RCSBK003	Remembrance®/Jubilance® Shades Sample Book
RCRSB004	Designer Screen Shades Sample Book
LIT888237	Remembrance® Screen Shades with Cassette Sell Sheet
LIT888303	Fabric by the Yard Sell Sheet

Remembrance® Window Shades with SoftRise® Lifting System



Standard Parts

- 1 Mounting Cover Bracket
- 2 Mounting Bracket
- 3 Clip-in Bracket
- 4 Mounting Profile
- 5 AutoStop
- 6 Hold-Down Bracket (optional)
- 7 Decorative Pull w/Chain & Tassel
- 8 Universal Bottom Rail
- 9 Triangle Profile
- 10 Bottom Rail End Cap
- 11 Round Rod
- 12 SoftRise® Spring with Plug
- 13 Tube

Remembrance® Window Shades with SoftRise® Lifting System

NUMBER	PCN	COMPONENT DESCRIPTION
1	RC450017	Mounting Profile Large Bracket Cover
2	RC450010	Universal Mounting Bracket
3	RC450012	Clip-In Mounting Profile Bracket
4	RC450000	Mounting Profile
5	RC450005	AutoStop
6	5007311000	Hold-Down Bracket (optional)
7	RC447xxx	Decorative Pull (with chain & tassel)
8	RC44xxxx	Universal Bottom Rail
9	RC445087	Triangle Profile
10	RC443xxxL	Universal Bottom Rail End Cap with Hunter Douglas Logo
11	RC445085 RC445086	Small Round Profile Large Round Profile
12	RC450050 RC450051 RC450052	SoftRise® Spring – Mini (Shades 18" to 20" in width) SoftRise® Spring – Mini (Shades 20-1/8" to 27" in width) SoftRise® Spring – Mini (Shades 27-1/8" to 72" in width)
13	RC450032	Aluminum Roller Tube (25mm with tape; 16' tube)
14	LIT888081	Brass Hunter Douglas Logo Plate

ADDITIONAL COMPONENTS

LIT888094	"Do Not Remove" Sticker (used on outer wrapper of finished shade)
-----------	---

SALES AIDS / COLLATERAL MATERIALS

LIT888250	2004 Remembrance® Window Shades Fabricator Price List and Order Form
888202	Remembrance® Window Shades Installation Instructions (including SoftRise® and Cassette)
888204*	Remembrance® Window Shades Take One Brochure
LIT888000	Spectrum Brochure Pack (with display holder)
LIT888000R	Spectrum Brochure Refill
RL888240	18" x 24" SoftRise® Hand Sample Shades
RCSBK003	Remembrance®/Jubilance® Shades Sample Book
RCRSB004	Designer Screen Shades Sample Book
LIT888235	Remembrance® SoftRise® Sell Sheet
LIT888303	Fabric by the Yard Sell Sheet

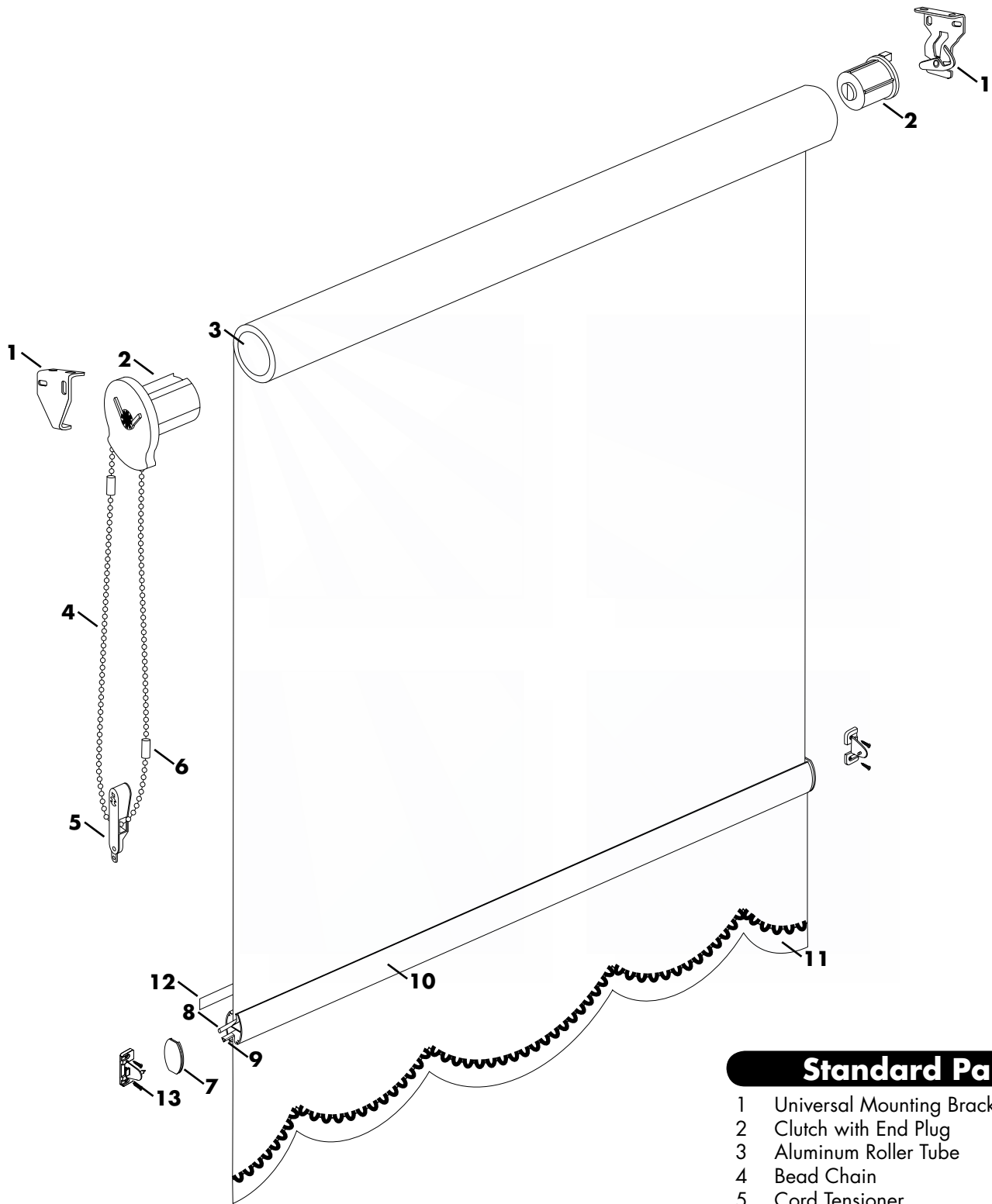
*Order from Broomfield

xxx = 3 digit color code

©2004. Hunter Douglas, Inc. All Rights Reserved.

REVISION: 05/04

Remembrance® Standard Window Shades (with decorative hem and trim)



Standard Parts

- 1 Universal Mounting Brackets
- 2 Clutch with End Plug
- 3 Aluminum Roller Tube
- 4 Bead Chain
- 5 Cord Tensioner
- 6 Beaded Cord Connector
- 7 Universal Bottom Rail End Cap
- 8 Round Rod
- 9 Triangle Profile
- 10 Universal Bottom Rail
- 11 Trim
- 12 Logo Plate
- 13 Hold-Down Bracket

Remembrance® Standard Window Shades (with decorative hem and trim)

NUMBER	PCN	COMPONENT DESCRIPTION
1	444908	1-1/2" Installation Brackets for 1-1/8" Clutch
	444909	2" Installation Extension Brackets for 1-1/8" Clutch
	444910	1-1/2" Installation Brackets for 1-1/2" Clutch
	444911	2" Installation Extension Brackets for 1-1/2" Clutch
2	444900	1-1/8" Clutch and End Plug Vanilla (HD-3)
	444901	1-1/8" Clutch and End Plug Vanilla (HD-8)
	444902	1-1/2" Clutch and End Plug Vanilla (HD-16)
	444905	1-1/2" Clutch and End Plug Vanilla (HD-24)
3	444919-16	1-1/8" Metal Tube with Tape Strip 16'
	444922-16	1-1/2" Metal Tube with Tape Strip 16'
4	444930	4.5mm Beaded Chain Antique White
5	445045	Shade Tensioner (Safety Device)
6	444937	Beaded Chain Connector Antique White
7	RC443xxxL	Universal Bottom Rod End Caps with Hunter Douglas Logo
8	RC445085	Small Round Profile
	RC445086	Large Round Profile
9	RC445087	Triangle Profile
10	RC44xxxx	Universal Bottom Rod 16'
11	442xxx	French Gimp Trim
	440xxx	Brush Trim
	441xxx	Loop Trim
12	LIT888081	Brass Hunter Douglas Logo Plate
13	5007311000	Hold-Down Bracket with Screws

ADDITIONAL COMPONENTS

LIT888094	"Do Not Remove" Sticker (used on outer wrapper of finished shade)
PC557998	Child Safety Kit
888106	Hunter Douglas Safety Warning Tag
888108	Tension Device Safety Hang Tag
RC444927	End Plug Adapter (For Use With 2" Tube) – Vanilla
RC444928	End Plug Adapter (For Use With 2" Tube) – Black

SALES AIDS / COLLATERAL MATERIALS

LIT888250	2004 Remembrance® Window Shades Fabricator Price List and Order Form
888201	Window Shade Ad Slicks
888202	Remembrance® Window Shade Installation Instructions (including SoftRise® and Cassette)
888204*	Remembrance® Window Shades Take-One Brochure
LIT888000	Spectrum Brochure Pack (w/display holder)
LIT888000R	Spectrum Brochure Refill
888206	18" x 24" Standard Clutch Sample Shades
RCSBK003	Remembrance®/Jubilance® Shades Sample Book
RCRSB004	Designer Screen Shades Sample Book
LIT888303	Fabric by the Yard Sell Sheet

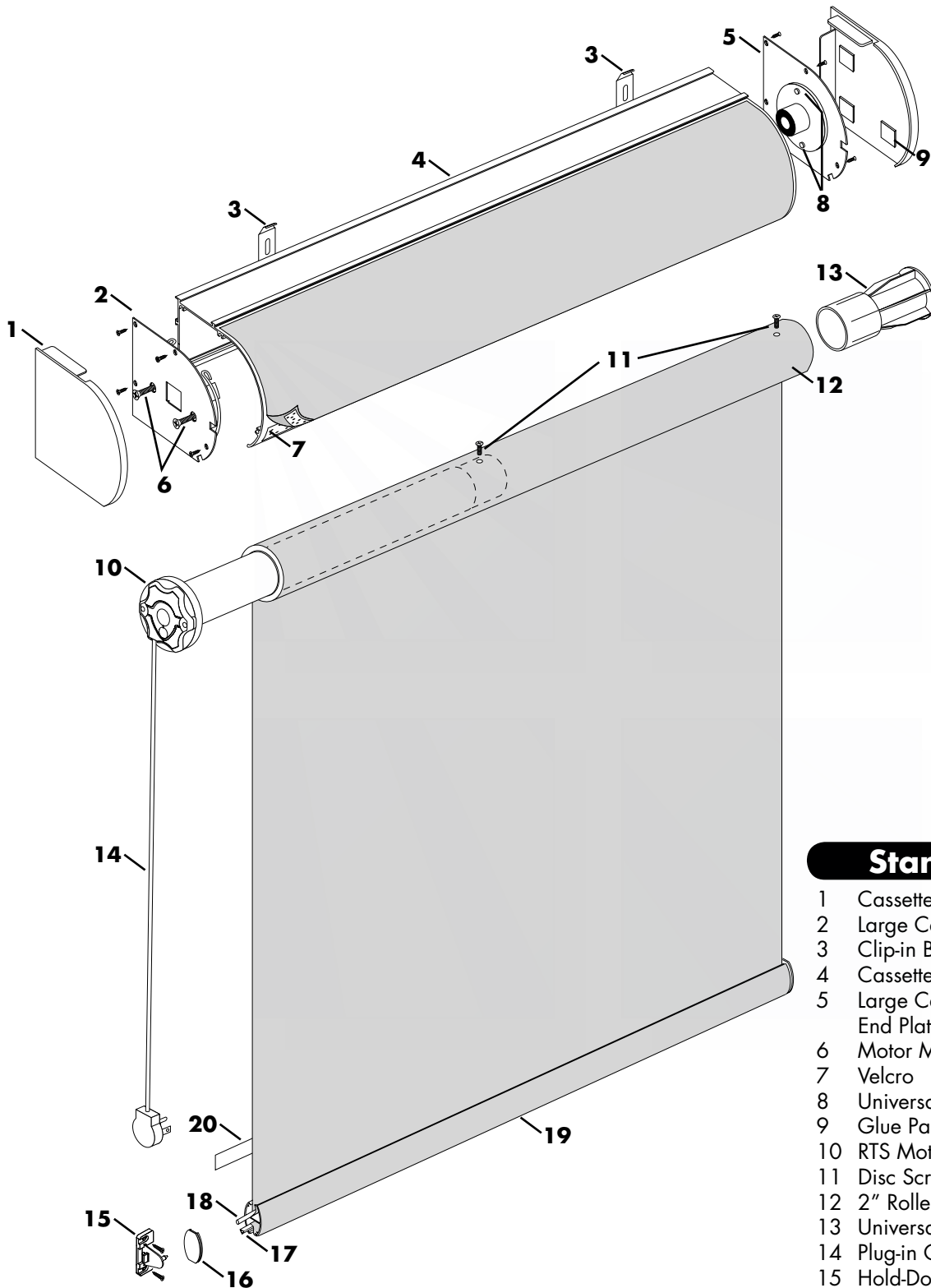
*Order from Broomfield

xxx = 3 digit color code

©2004. Hunter Douglas, Inc. All Rights Reserved.

REVISION: 05/04

Remembrance® Motorized Window Shades with Cassette System

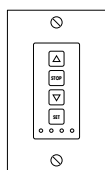


Standard Parts

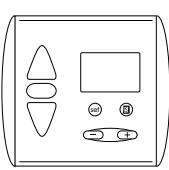
- 1 Cassette End Cap
- 2 Large Cassette Motor End Plate
- 3 Clip-in Bracket
- 4 Cassette Profile
- 5 Large Cassette Universal End Plug
- 6 Motor Mount Screws
- 7 Velcro
- 8 Universal End Plug Screws
- 9 Glue Pad
- 10 RTS Motor
- 11 Disc Screw
- 12 2" Roller Tube with Tape
- 13 Universal End Plug
- 14 Plug-in Cord – 12'
- 15 Hold-Down Bracket (optional)
- 16 Universal Bottom Rail End Cap
- 17 Triangle Profile
- 18 Round Rod
- 19 Universal Bottom Rail
- 20 Logo Plate
- 21 Wireless Remote Control
- 22 Wireless Wall Switch
- 23 Wireless Timer



21



22



23

Remembrance® Motorized Window Shades with Cassette System

NUMBER	PCN	COMPONENT DESCRIPTION
1	RC456xxxL	Large Cassette End Cap (Logo)
2	RC450075	Large Cassette End Plate (Motor)
3	RC450012	Mounting Profile Clip-In Brackets – White
4	RC454xxx	Large Cassette Profile
5	RC450074	Large Cassette End Plate (Universal End Plug)
6	RC450071	Motor Mounting Screws
7	RC445106 RC445105	Velcro Hook – White Velcro Loop – White
8	RC450070	Universal End Plug Screws
9	RC450059	Glue Pad for End Caps
10	RC445066	Motor with 12' Cable
11	WWC900155	Disc Screws
12	RC445083	2" OD Aluminum Tube (16') with Tape
13	RC450076	Universal End Plug
14	RC445066	Plug-In Power Cable – 12'
15	5007311000	Hold-Down Brackets with Screws
16	RC443xxxL	Universal Bottom Rod End Caps with Hunter Douglas Logo
17	RC445087	Triangle Profile
18	RC445085 RC445086	Small Round Profile Large Round Profile
19	RC44xxxx	Universal Bottom Rod 16'
20	LIT888081	Brass Hunter Douglas Logo Plate
21	RC445069 RC445079	1-Channel Wireless Remote 4-Channel Wireless Remote
22	RC445076 RC445077	1-Channel Wireless Wall Switch (White) 4-Channel Wireless Wall Switch (White)
23	RC445074	24-Hour Wireless Timer

ADDITIONAL COMPONENTS

LIT888094	"Do Not Remove" Sticker (used on outer wrapper of finished shade)
PC557998	Child Safety Kit
888106	Hunter Douglas Safety Warning Tag
888108	Tension Device Safety Hang Tag
RC445071	Plug-In Power Cable – 3'
RC445072	Plug-In Power Cable – 6'

SALES AIDS / COLLATERAL MATERIALS

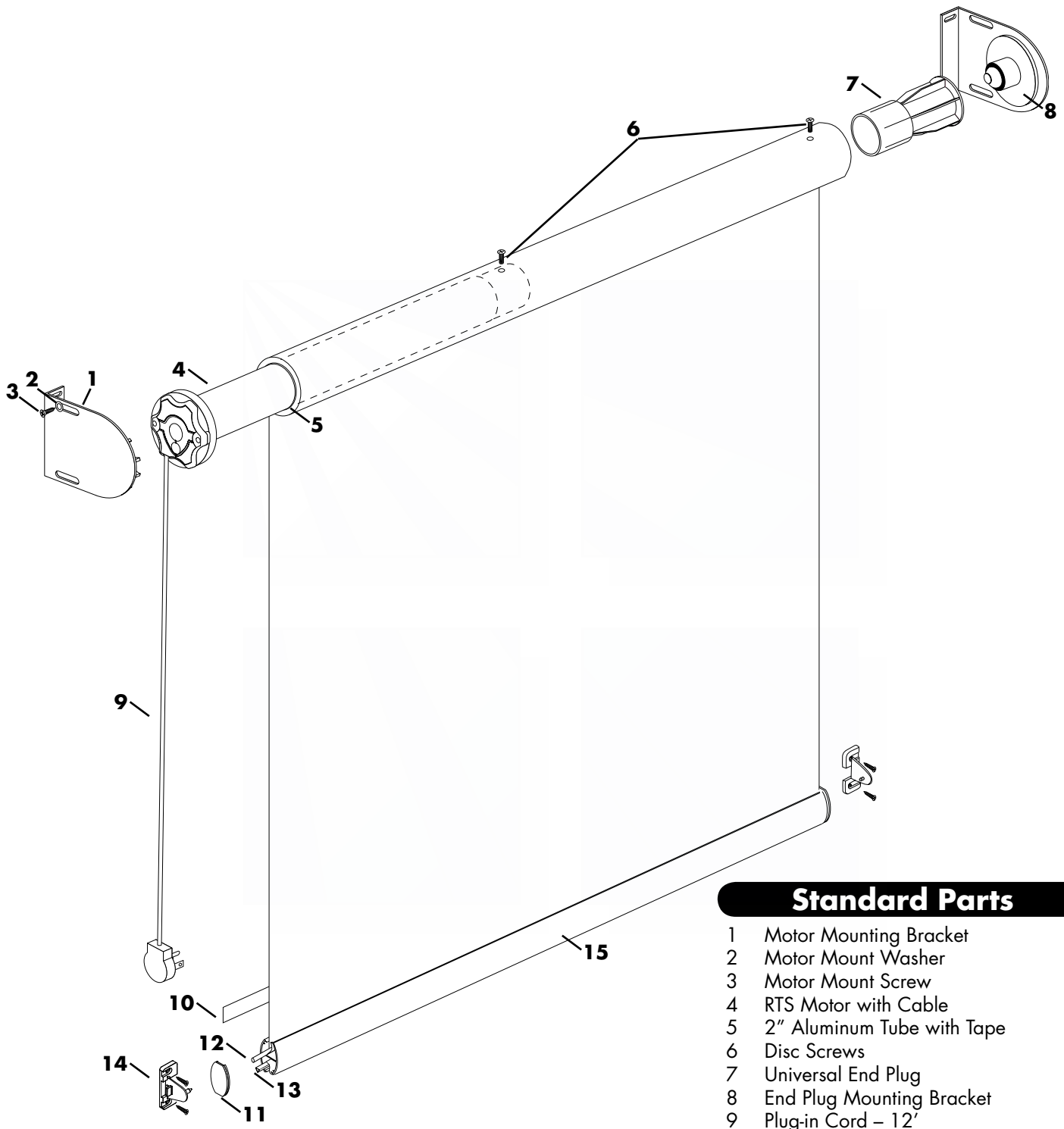
LIT888245	Remembrance® Motorized Shades Installation Instructions
RCSBK003	Remembrance®/Jubilance® Shades Sample Book
RCRSB004	Designer Screen Shades Sample Book
LIT888246	Remembrance® Motorized Shades Sell Sheet
LIT888237	Remembrance® Screen Shades with Cassette Sell Sheet
LIT888303	Fabric by the Yard Sell Sheet

xxx = 3-digit color code

©2004. Hunter Douglas, Inc. All Rights Reserved.

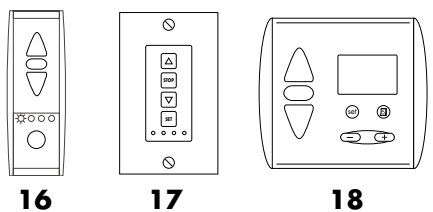
REVISION: 05/04

Remembrance® Standard Motorized Window Shades



Standard Parts

- 1 Motor Mounting Bracket
- 2 Motor Mount Washer
- 3 Motor Mount Screw
- 4 RTS Motor with Cable
- 5 2" Aluminum Tube with Tape
- 6 Disc Screws
- 7 Universal End Plug
- 8 End Plug Mounting Bracket
- 9 Plug-in Cord – 12'
- 10 Brass Hunter Douglas Logo Plate
- 11 Universal Bottom Rail End Caps
- 12 Small Round Rod
- 13 Triangle Profile
- 14 Hold-Down Bracket with Screws
- 15 Universal Bottom Rail
- 16 Wireless Remote Control
- 17 Wireless Wall Switch
- 18 Wireless Timer



Remembrance® Standard Motorized Window Shades

NUMBER	PCN	COMPONENT DESCRIPTION
1	RC450072	Motor Mounting Bracket
2	RC450068	Motor Mounting Washer
3	RC450067	Motor Mounting Taping Screw
4	RC445066	Motor with 12' Cable
5	RC445083	2" OD Aluminum Tube (16') with Tape
6	WWC900155	Disc Screws
7	RC450076	Universal End Plug
8	RC450073	End Plug Mounting Bracket
9	RC445073	Plug-in Power Cable (12')
10	LIT888081	Brass Hunter Douglas Logo Plate
11	RC443xxxL	Universal Bottom Rail End Caps with Hunter Douglas logo
12	RC445085 RC445086	Small Round Profile Large Round Profile
13	RC445087	Triangle Profile
14	5007311000	Hold-Down Brackets with Screws
15	RC44xxxx	Universal Bottom Rail 16'
16	RC445069 RC445079	1-Channel Wireless Remote 4-Channel Wireless Remote
17	RC445076 RC445077	1-Channel Wireless Wall Switch (White) 4-Channel Wireless Wall Switch (White)
18	RC445074	24-Hour Wireless Timer

ADDITIONAL COMPONENTS

LIT888094	"Do Not Remove" Sticker (used on outer wrapper of finished shade)
PC557998	Child Safety Kit
RC445071	Plug-In Cable – 3'
RC445072	Plug-In Cable – 6'

SALES AIDS / COLLATERAL MATERIALS

LIT888250	2004 Remembrance® Window Shades Fabricator Price List and Order Form
LIT888245	Remembrance® Motorized Shades Installation Instructions
RCSBK003	Remembrance®/Jubilance® Shades Sample Book
RCRSB004	Designer Screen Shades Sample Book
LIT888246	Remembrance® Motorized Shades Sell Sheet
LIT888303	Fabric by the Yard Sell Sheet

xxx = 3-digit color code

©2004. Hunter Douglas, Inc. All Rights Reserved.

REVISION: 05/04