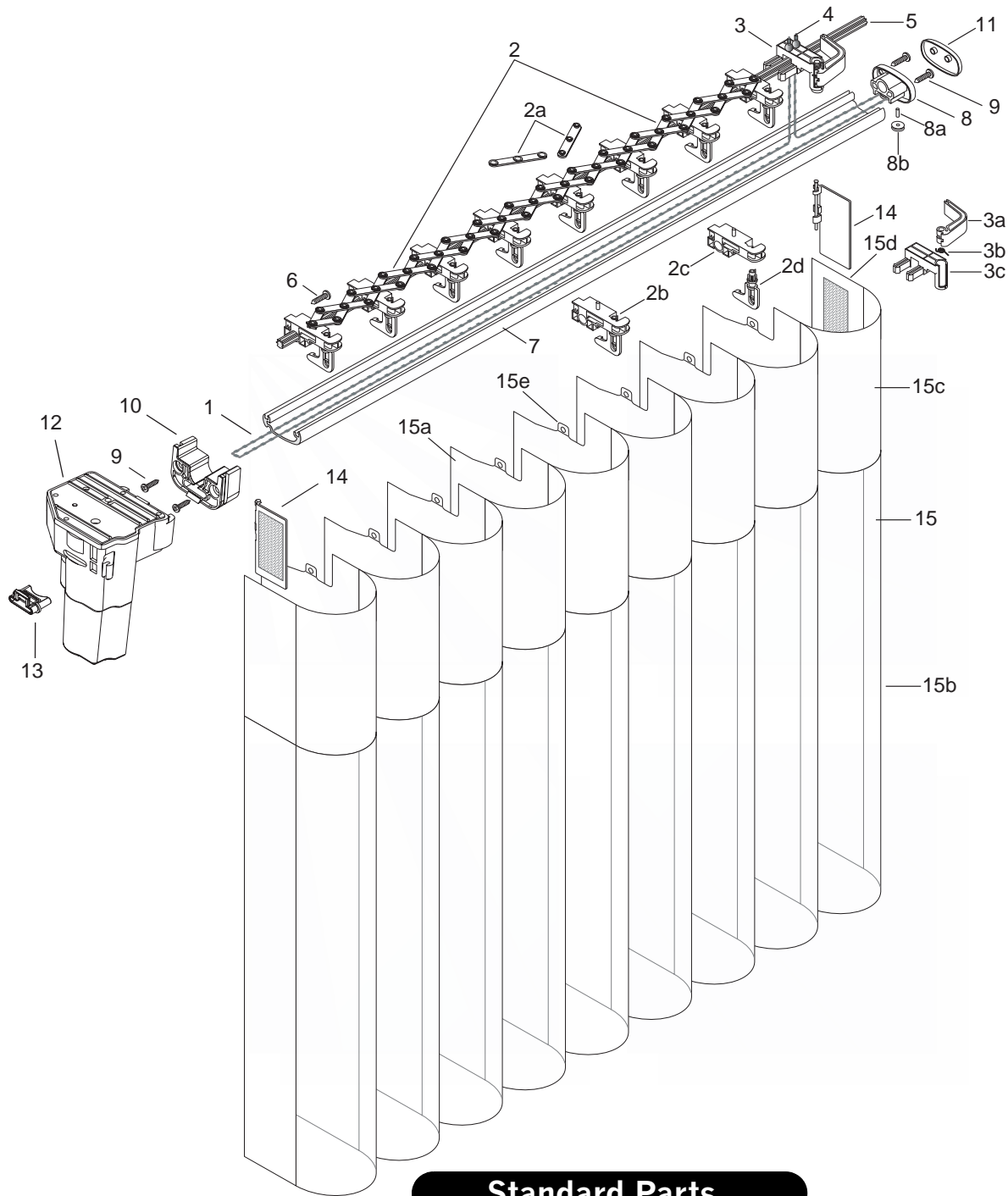


# Luminette® Privacy Sheers PowerGlide® Side Stack



## Standard Parts

- |                                    |                                    |                                |
|------------------------------------|------------------------------------|--------------------------------|
| 1. Bead Chain                      | 4. Split Bead Chain Clip           | 12. Motor                      |
| 2. Fabric Carrier Group Assembly   | 5. Tilt Rod Extrusion              | 13. Motor Lock                 |
| 2a. Scissors                       | 6. Phillips Hi-Lo Screw            | 14. End Treatment Swivel Plate |
| 2b. Carrier Body Assembly          | 7. Headrail                        | 14a. Rivet                     |
| 2c. Carrier Body                   | 8. Passive End Cap Body            | 15. Fabric                     |
| 2d. Tilt Reduction Pinion Clip     | 8a. Stainless Steel Dowel Pin      | 15a. Fabric Vane               |
| 3. Lead Carrier Assembly           | 8b. End Cap Wheel                  | 15b. Fabric Face               |
| 3a. Lead Carrier Swivel Arm        | 9. Phillips Pan Head Tapping Screw | 15c. Fabric Valance/Header     |
| 3b. Lead Carrier Swivel Arm Spring | 10. Rail Adaptor                   | 15d. Fabric End Treatment      |
| 3c. Lead Carrier                   | 11. Passive End Cap Cover          | 15e. Polytab                   |

# Luminette® Privacy Sheers PowerGlide® Side Stack

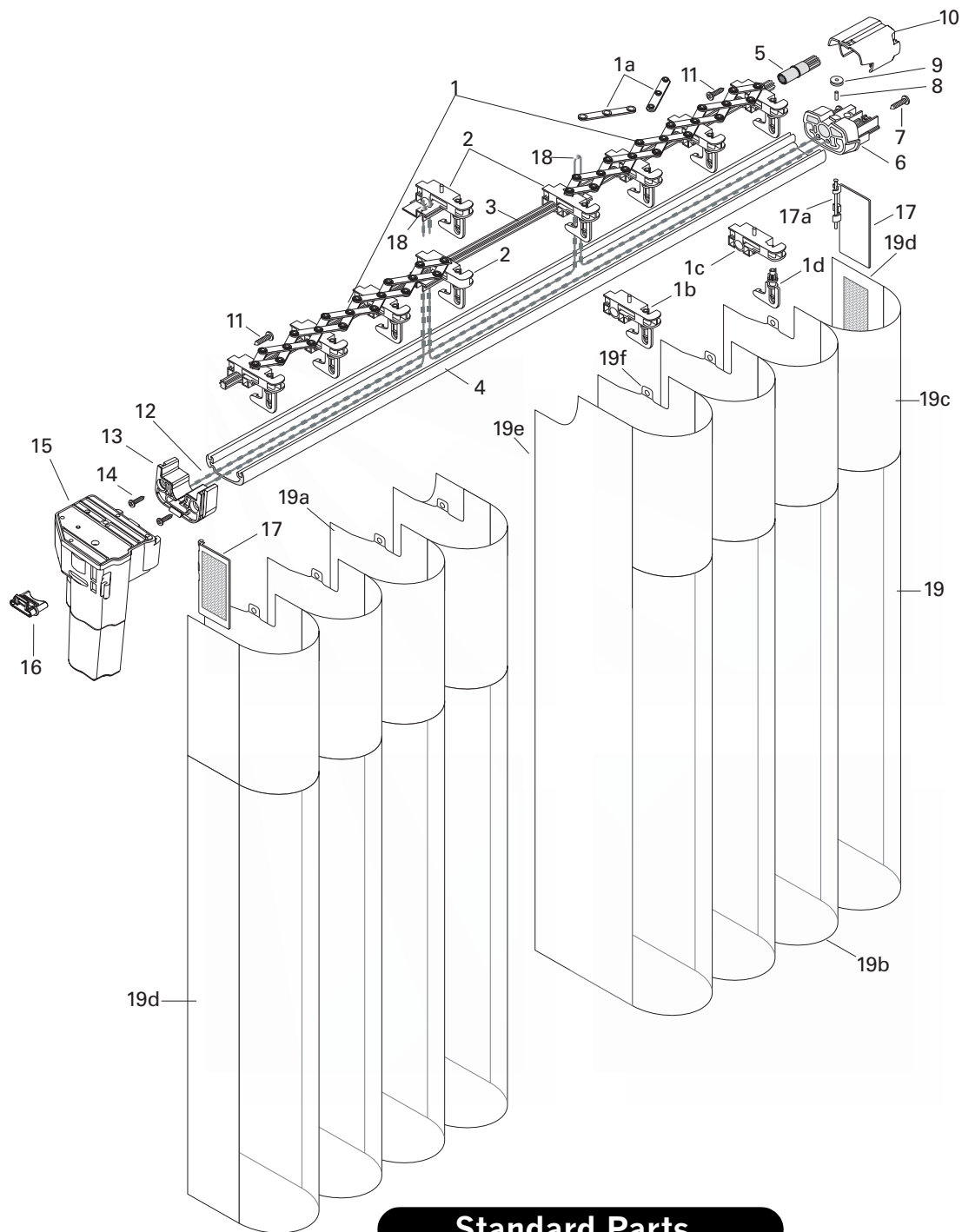
<b>No.</b>	<b>PCN</b>	<b>Description</b>
1.	4254117000	Bead Chain
2.	4250355000	Fabric Carrier Group Assembly with Tilt Reduction Pinion Clip
2a.	4250076000	Scissors (Male and Female)
2b.	N/A	Carrier Body Assembly
2c.	N/A	Carrier Body
2d.	N/A	Tilt Reduction Pinion Clip
3.	4250127000	Lead Carrier Assembly RH
	4250128000	Lead Carrier Assembly LH
3a.	N/A	Lead Carrier Swivel Arm (RH/LH specific)
3b.	N/A	Lead Carrier Swivel Arm Spring
3c.	N/A	Lead Carrier (RH/LH specific)
4.	4254106000	Split Bead Chain Clip (Chain Clip)
5.	N/A	Aluminum Tilt Rod Extrusion – 12'
	N/A	Brass Tilt Rod Extrusion – 16'
6.	2930230000	Phillips Hi-Lo 6-19 x 3/4" (Stationary Carrier) Screw
7.	N/A	Headrail – 16' Max.
8.	4250108885	Passive End Cap Body
8a.	4250040000	Stainless Steel Dowel Pin 3/32" x .21"
8b.	4250042000	End Cap Wheel
9.	4250136000	#6 x 1/2" Phillips Pan Head Tapping (End Cap) Screw
10.	4254114000	Rail Adaptor
11.	4250109885	Passive End Cap Cover
12.	4254120000	Motor RH
	4254140000	"Plus" Motor (extra strength) RH
	4254121000	Motor LH
	4254141000	"Plus" Motor (extra strength) LH
13.	4254106000	Motor Lock
14.	4250120885	End Treatment Swivel Plate with Velcro® RH
	4250121885	End Treatment Swivel Plate with Velcro® LH
14a.	4250045000	Rivet (1.5" Copper-Nickel, Double-flared)
15.	N/A	Luminette® Fabric: K1, K2, K3, K5, K6, K7, K8, K9, K12, K13 & K14
15a.	N/A	Fabric Vane
15b.	N/A	Fabric Face
15c.	N/A	Fabric Valance/Header
15d.	N/A	Fabric End Treatment
15e.	N/A	Polytab (Plastic Tab)

## Additional Hardware:

(For pictures & specifics, see Luminette® Privacy Sheers PowerGlide® Additional Hardware)

4250084005	Ceiling Mount Bracket
4250084004	Installation Bracket Kit
4250084001	Spacer Block (With Bushings)
4250084002	Extension Bracket Cover Kit (Includes Extension Brackets)

# Luminette® Privacy Sheers PowerGlide® Split Stack



## Standard Parts

- |                                  |                                     |                                |
|----------------------------------|-------------------------------------|--------------------------------|
| 1. Fabric Carrier Group Assembly | 7. Phillips Pan Head Tapping Screw  | 17. End Treatment Swivel Plate |
| 1a. Scissors                     | 8. Active Center SS Dowel Pin       | 17a. Rivet (Double-flared)     |
| 1b. Carrier Body Assembly        | 9. End Cap Wheel                    | 18. Split Bead Chain Clip      |
| 1c. Carrier Body                 | 10. Universal Bulkhead Cover        | 19. Fabric                     |
| 1d. Tilt Reduction Pinion Clip   | 11. Phillips Hi-Lo Screw            | 19a. Fabric Vane               |
| 2. Center Draw Carrier Assembly  | 12. Bead Chain                      | 19b. Fabric Face               |
| 3. Tilt Rod Extrusion            | 13. Rail Adaptor                    | 19c. Fabric Valance            |
| 4. Headrail                      | 14. Phillips Pan Head Tapping Screw | 19d. Fabric End Treatment      |
| 5. Tilt Drive Gear               | 15. Motor                           | 19e. Center Draw End Treatment |
| 6. Universal Bulkhead Body       | 16. Motor Lock                      | 19f. Polytab                   |

# Luminette® Privacy Sheers PowerGlide® Split Stack

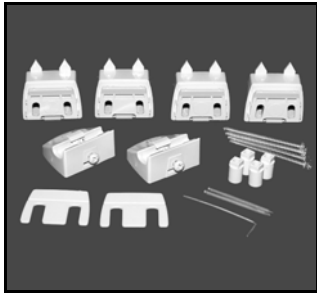
<b>No.</b>	<b>PCN</b>	<b>Description</b>
1.	4250355000	Fabric Carrier Group Assembly with Tilt Reduction Pinion Clip
1a.	4250076000	Scissors (Male and Female)
1b.	N/A	Carrier Body Assembly
1c.	N/A	Carrier Body
1d.	N/A	Tilt Reduction Pinion Clip
2.	4250345000	Center Draw (Split Draw) Carrier Assembly RH
	4250350000	Center Draw (Split Draw) Carrier Assembly LH
3.	N/A	Aluminum Tilt Rod Extrusion – 12'
	N/A	Brass Tilt Rod Extrusion – 16'
4.	N/A	Headrail – 16'
5.	4250058000	Tilt Drive Gear
6.	4250011885	Universal Bulkhead Body
7.	4250136000	#6 x 1/2" Phillips Pan Head Tapping (End Cap) Screw
8.	4250102000	Active Center SS Dowel Pin 3/32" x .375"
9.	4250042000	End Cap Wheel
10.	4250012885	Universal Bulkhead Cover RH
	4250013885	Universal Bulkhead Cover LH
11.	4250136000	Phillips Hi-Lo 6-19 x 3/4" (Stationary Carrier) Screw
12.	4254117000	Bead Chain
13.	4254114000	Rail Adaptor (Motor Mount)
14.	4250136000	#6 x 1/2" Phillips Pan Head Tapping (End Cap) Screw
15.	4254120000	Motor RH
	4254140000	"Plus" Motor (extra strength) RH
	4254121000	Motor LH
	4254141000	"Plus" Motor (extra strength) LH
16.	4254106000	Motor Lock
17.	4250120885	End Treatment Swivel Plate with Velcro® RH
	4250121885	End Treatment Swivel Plate with Velcro® LH
17a.	4250045000	Rivet (1.5" Copper-Nickel, Double-flared)
18.	4254106000	Split Bead Chain Clip (Chain Clip)
19.	N/A	Luminette® Fabric: K1, K2, K3, K5, K6, K7, K8, K9, K12, K13 & K14
19a.	N/A	Fabric Vane
19b.	N/A	Fabric Face
19c.	N/A	Fabric Valance
19d.	N/A	Fabric End Treatment
19e.	N/A	Center Draw End Treatment
19f.	N/A	Polytab (Plastic Tab)

## **Additional Hardware:**

**(For pictures & specifics, see Luminette® Privacy Sheers PowerGlide® Additional Hardware)**

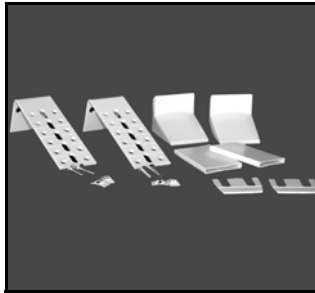
4250084005	Ceiling Mount Bracket
4250084004	Installation Bracket Kit
4250084001	Spacer Block (With Bushings)
4250084002	Extension Bracket Cover Kit (Includes Extension Brackets)

# Luminette® Privacy Sheers PowerGlide® Additional Hardware



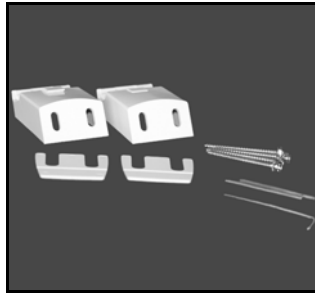
Installation Bracket Kit  
PCN 4250084004

Includes:  
Spacer Block (with bushings)  
PCN 4250084001



Extension Bracket Kit  
PCN 4250084002

Extension Bracket Only  
PCN 4250340885



Ceiling Mount Brackets  
PCN 4250084005



Remote Control (Transmitter)  
PCN 2981195000



AAA Batteries  
PCN 2981087000



Satellite Eye

Satellite Eye - 20" Cord  
PCN 4153568000  
Satellite Eye - 4' Cord  
PCN 4153569000  
Satellite Eye - 8' Cord  
PCN 4153570000

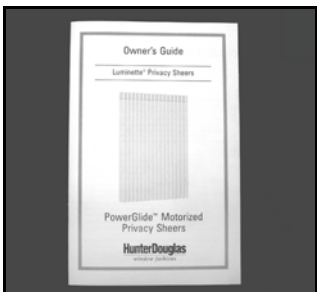


AC Transformer

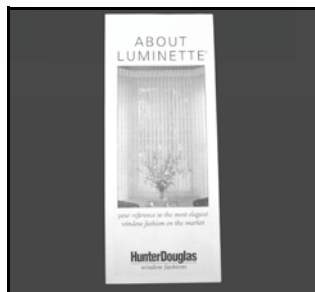
AC Transformer - 12' Cord  
PCN 4251200000  
AC Transformer - 16' Cord  
PCN 4251600000  
AC Transformer - 25' Cord  
PCN 4252500000



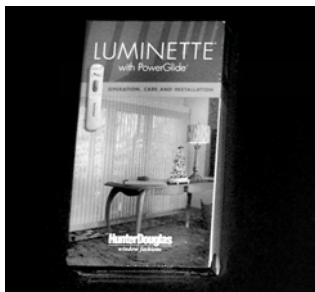
C-clips (wire managers)  
PCN 4254130000



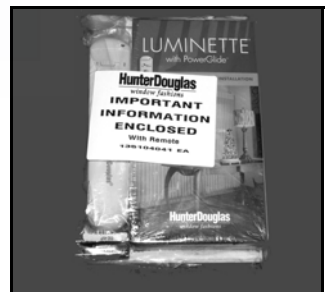
Luminette® Owner's Guide  
PCN 135103382



About Luminette®  
PCN 135104038



Luminette® PowerGlide®  
Care & Maintenance Video  
PCN 135103329

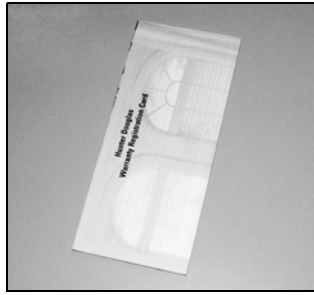


Luminette® with PowerGlide®  
Information Packet (with remote)  
PCN 135104041

# Luminette® Privacy Sheers PowerGlide® Additional Hardware



Luminette® with PowerGlide®  
Information Packet (no remote)  
PCN 135104050



Hunter Douglas Warranty  
Registration Card  
PCN 7107622000

