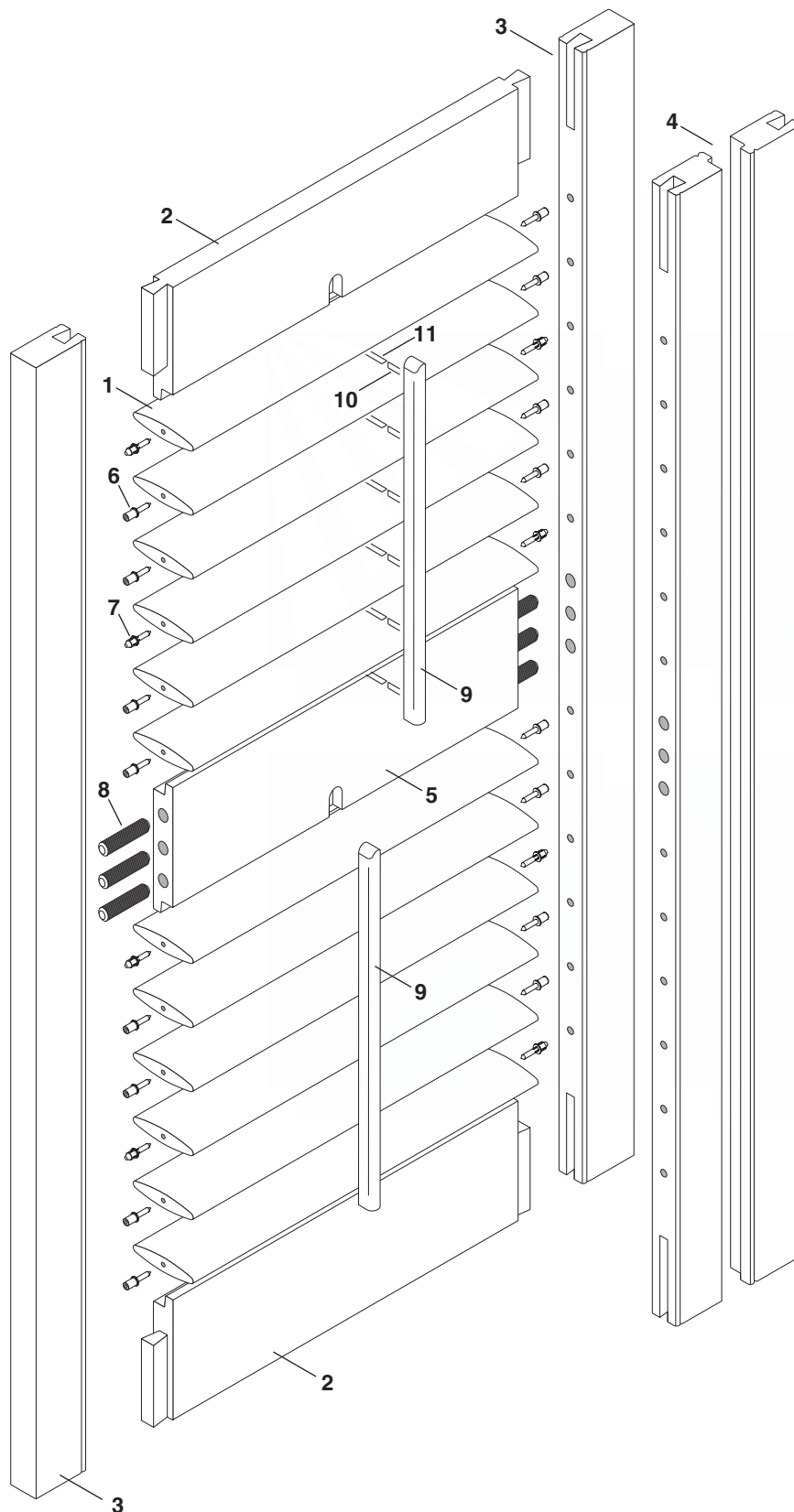


Shutter Panel — Front Tilt



Standard Parts

1. Louver
2. Top/Bottom Rail
3. Stile
4. Rabbeted Stile
5. Divider Rail
6. Louver Pin
7. Tension Louver Pin
8. Dowel
9. Tilt Bar
10. Staples – Tilt Bar
11. Staples – Louver

Shutter Panel — Front Tilt

No.	PCN	Description
1.	WSL01xxx	2.5" Louver
	WSL02xxx	3.5" Louver
2.	WSR05xxx	Top/Bottom Rail
3.	WSS01xxx	Rectangular Stile 2.5"
	WSS03xxx	Rectangular Stile 3.5"
4.	WSS02xxx	Rabbeted Stile 2.5"
	WSS04xxx	Rabbeted Stile 3.5"
5.	WSR01xxx	Divider Rail 2.5"
	WSR03xxx	Divider Rail 3.5"
6.	WHP01001	Louver Pin
7.	WHP02001	Tension Louver Pin
8.	WHD01000	Dowel 10mm x 50mm
9.	WST01xxx	Tilt Bar
10.	WHS01001	Galvanized Staples 1/4" Crown x 5/8" – Tilt Bar
11.	WHS01002	Galvanized Staples 1/4" Crown x 7/8" – Louver

xxx = 3-digit color code

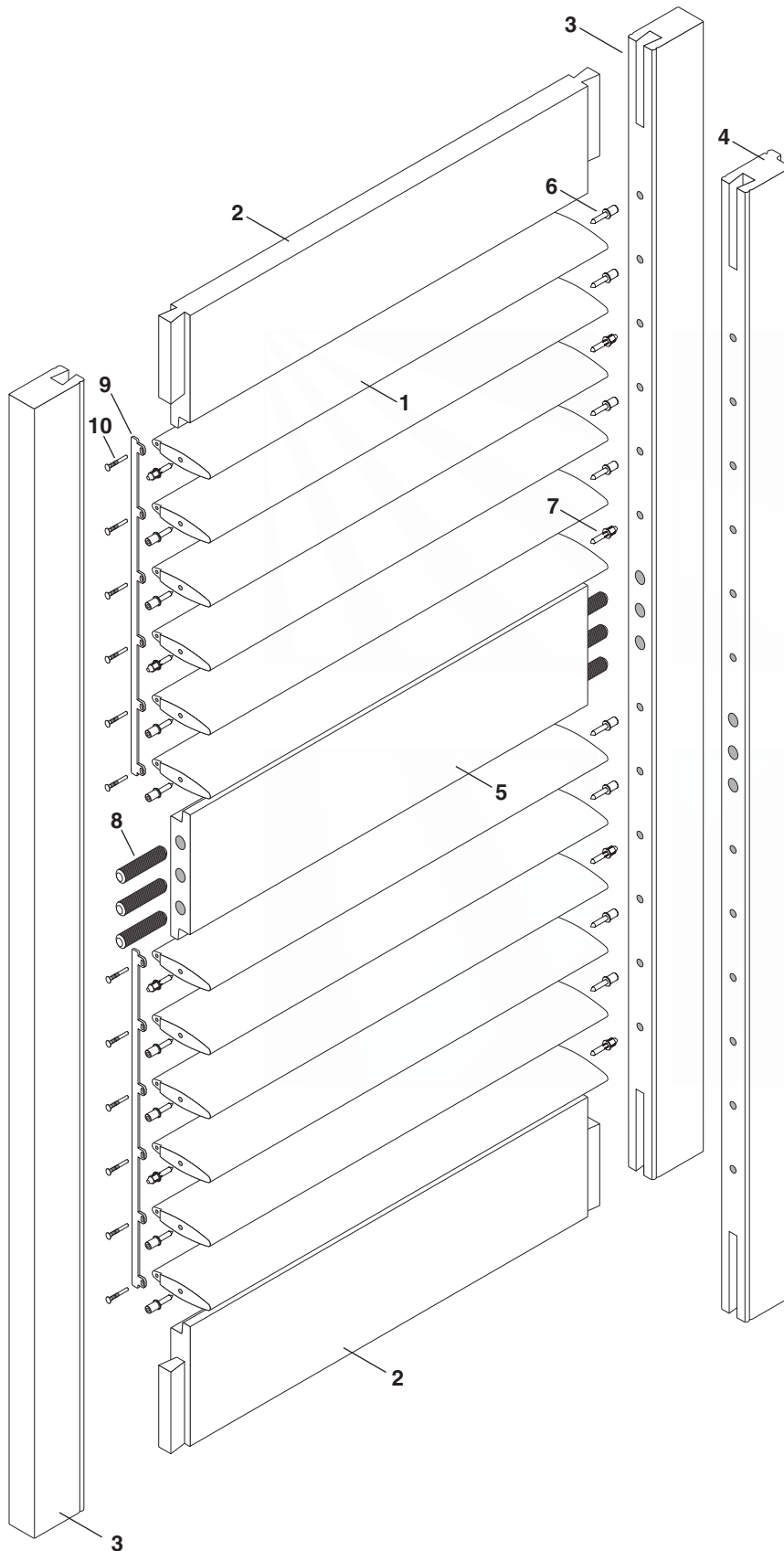
Wood Colors

701 Bright White
 704 Golden Oak
 708 Eggshell
 709 Linen
 770 Warm Cherry

Hinge Colors

006 Brass Finish
 007 Antique Brass Finish
 008 Brushed Nickel Finish
 009 White
 010 Off-White
 011 Stainless Steel

Shutter Panel — Rear Tilt



Standard Parts

1. Louver
2. Top/Bottom Rail
3. Stile
4. Rabbeted Stile
5. Divider Rail
6. Louver Pin
7. Tension Louver Pin
8. Dowel
9. Rear Tilt Bar
10. Tilt Bar Pin

Shutter Panel — Rear Tilt

No.	PCN	Description
1.	WSL01xxx	2.5" Louver
	WSL02xxx	3.5" Louver
2.	WSR05xxx	Top/Bottom Rail
3.	WSS01xxx	Rectangular Stile 2.5"
	WSS03xxx	Rectangular Stile 3.5"
4.	WSS02xxx	Rabbeted Stile 2.5"
	WSS04xxx	Rabbeted Stile 3.5"
5.	WSR01xxx	Divider Rail 2.5"
	WSR03xxx	Divider Rail 3.5"
6.	WHP01001	Louver Pin
7.	WHP02001	Tension Louver Pin
8.	WHD01000	Dowel 10mm x 50mm
9.	WSR01xxx	Rear Tilt Bar 2.5"
	WSR02xxx	Rear Tilt Bar 3.5"
10.	WHR03011	Tilt Bar Pin

xxx = 3-digit color code

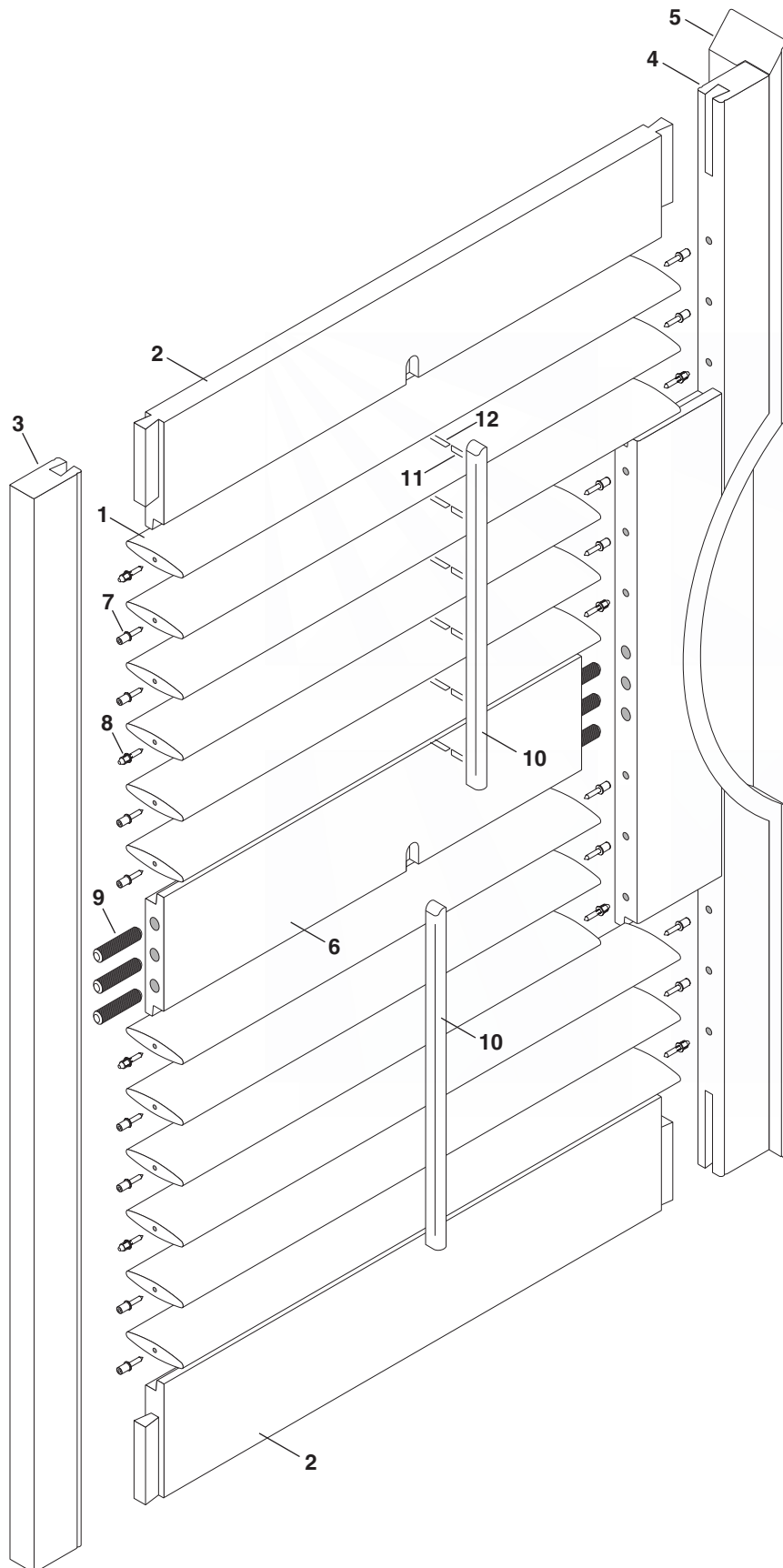
Wood Colors

701 Bright White
 704 Golden Oak
 708 Eggshell
 709 Linen
 770 Warm Cherry

Hinge Colors

006 Brass Finish
 007 Antique Brass Finish
 008 Brushed Nickel Finish
 009 White
 010 Off-White
 011 Stainless Steel

Shutter Panel — French Door Cut-Out



Standard Parts

1. Louver
2. Top/Bottom Rail
3. Stile
4. French Door Cut-Out Stile Assembly
5. French Door Frame Cut-Out
6. Divider Rail
7. Louver Pin
8. Tension Louver Pin
9. Dowel
10. Tilt Bar
11. Staples – Tilt Bar
12. Staples – Louver

Shutter Panel — French Door Cut-Out

No.	PCN	Description
1.	WSL01xxx	2.5" Louver
	WSL02xxx	3.5" Louver
2.	WSR05xxx	Top/Bottom Rail
3.	WSS01xxx	Rectangular Stile 2.5"
	WSS03xxx	Rectangular Stile 3.5"
4.	WSF14xxx	French Door Cut-Out Stile Assembly 2.5" Left
	WSF15xxx	French Door Cut-Out Stile Assembly 2.5" Right
	WSF16xxx	French Door Cut-Out Stile Assembly 3.5" Left
	WSF17xxx	French Door Cut-Out Stile Assembly 3.5" Right
5.	WSF13xxx	French Door Frame Cut-Out
6.	WSR01xxx	Divider Rail 2.5"
	WSR03xxx	Divider Rail 3.5"
7.	WHP01001	Louver Pin
8.	WHP02001	Tension Louver Pin
9.	WHD01000	Dowel 10mm x 50mm
10.	WST01xxx	Tilt Bar
11.	WHS01001	Galvanized Staples 1/4" Crown x 5/8" – Tilt Bar
12.	WHS01002	Galvanized Staples 1/4" Crown x 7/8" – Louver

xxx = 3-digit color code

Wood Colors

701 Bright White
 704 Golden Oak
 708 Eggshell
 709 Linen
 770 Warm Cherry

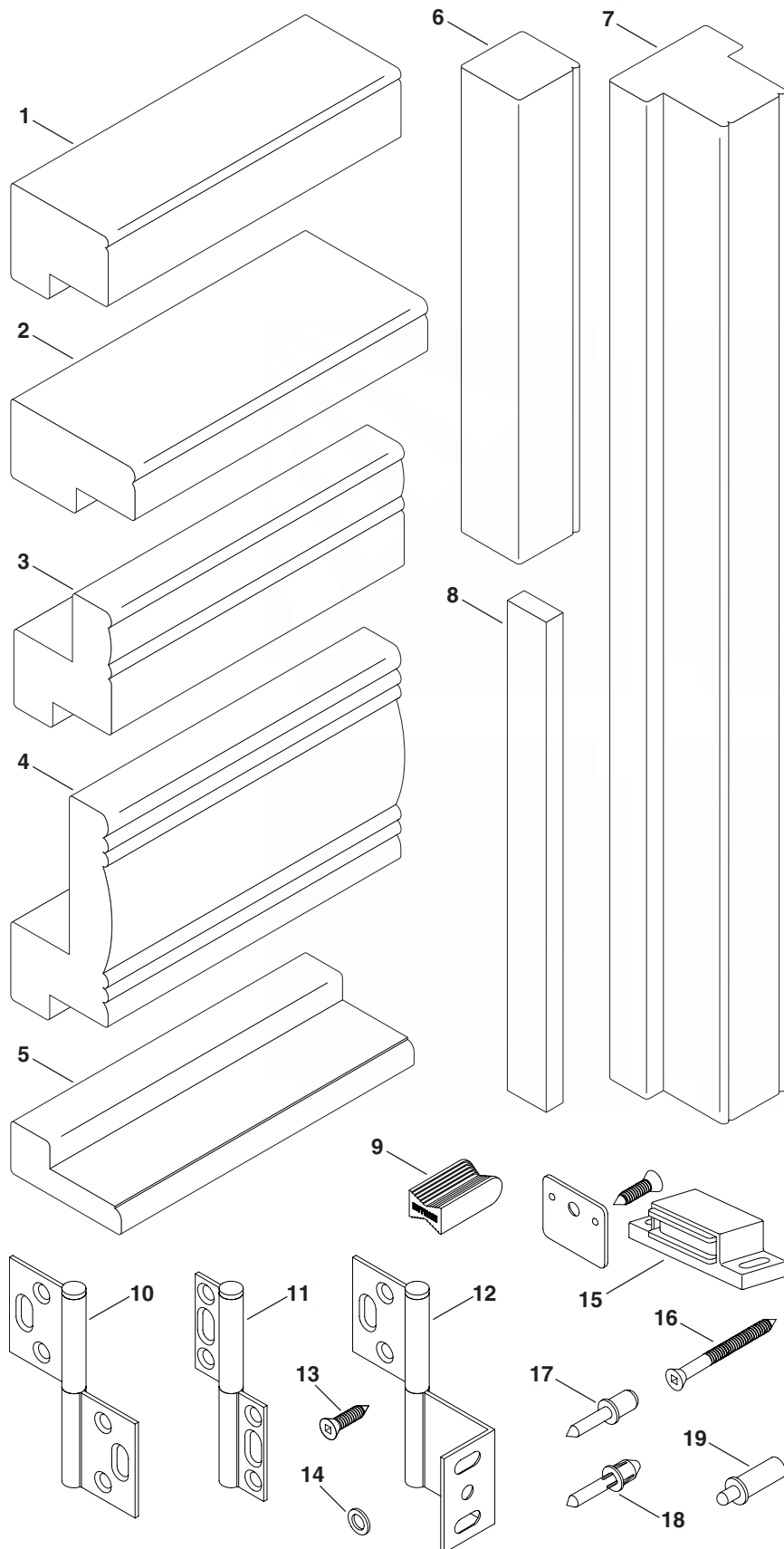
Hinge Colors

006 Brass Finish
 007 Antique Brass Finish
 008 Brushed Nickel Finish
 009 White
 010 Off-White
 011 Stainless Steel

Standard Frames and Hardware

Standard Parts

1. Standard L-Frame
2. Trim L-Frame
3. Standard Z-Frame
4. Deluxe Z-Frame
5. Sill Frame
6. Hang Strip
7. T-Post
8. Light Stop
9. Hoffman Key
10. Hanging Hinge
11. Inter-Panel Hinge
12. Wrap-Around Hinge
13. Hinge Screw 5/8"
14. Shim Washer for Hinges
15. Magnet Set
16. Installation Screw 2 1/4"
17. Louver Pin
18. Tension Louver Pin
19. Replacement Louver Pin



Standard Frames and Hardware

No.	PCN	Description
1.	WSF01xxx	Standard L-Frame
2.	WSF18xxx	Trim L-Frame
3.	WSF02xxx	Standard Z-Frame
4.	WSF08xxx	Deluxe Z-Frame
5.	WSF09xxx	Sill Frame
6.	WSF03xxx	Hang Strip
7.	WSF07xxx	T-Post
8.	WSF06xxx	Light Stop
9.	WHK01001	Hoffman Key White W3 1.5"
	WHK01002	Hoffman Key Brown W3 1.5"
	WHK02001	Hoffman Key White W3 1.81"
	WHK02002	Hoffman Key Brown W3 1.81"
	WHK04001	Hoffman Key White W3 0.75"
	WHK04002	Hoffman Key Brown W3 0.75"
	WHK05001	Hoffman Key White W3 0.5"
	WHK05002	Hoffman Key Brown W3 0.5"
10.	WHH01xxx	Hanging Hinge – Left
	WHH02xxx	Hanging Hinge – Right
11.	WHH03xxx	Inter Panel Hinge – Left
	WHH04xxx	Inter Panel Hinge – Right
12.	WHH05xxx	Wrap Around Hinge – Left
	WHH06xxx	Wrap Around Hinge – Right
13.	WHS04xxx	#6 x 5/8" Hinge Screw
14.	WHW01001	Shim Washer for Hinges
15.	WHM01001	Magnet Set – White
	WHM01002	Magnet Set – Brown
16.	WHS04006	2¼" Square Head Installation Screw
17.	WHP01001	Louver Pin
18.	WHP02001	Tension Louver Pin
19.	WHP03001	Replacement Louver Pin Set

xxx = 3-digit color code

Wood Colors

701	Bright White
704	Golden Oak
708	Eggshell
709	Linen
770	Warm Cherry

Hinge Colors

006	Brass Finish
007	Antique Brass Finish
008	Brushed Nickel Finish
009	White
010	Off-White
011	Stainless Steel

Bi-Fold Track System

No.	PCN	Description
1.	N/A	Shutter Panels
2.	WHH03xxx	Inter-Panel Hinge – Left
	WHH04xxx	Inter-Panel Hinge – Right
3.	WHS04xxx	#6 x 5/8" Hinge Screw
4.	WSF04xxx	Bi-Fold Frame
5.	WHK02001	Hoffman Key White W3 1.81"
	WHK02002	Hoffman Key Brown W3 1.81"
6.	WHT03000	Track Slider
7.	WHS04000	#8 x 3/4" Pan Head Wood Screw
8.	WHP01000	Pivot Set
8a.	N/A	Hanger Plate
8b.	N/A	Bi-Fold Track Pivot
8c.	N/A	Bi-Fold Track Snubber
8d.	N/A	Frame Support
8e.	N/A	Panel Pivot
8f.	N/A	Wrench
8g.	N/A	#8 x 1¼" Pan Head Wood Screw
8h.	N/A	#8 x 1" Flathead Wood Screw
8i.	N/A	#8 x 3/4" Flathead Wood Screw
9.	WHT01000	Hanger Set
9a.	N/A	Hanger
9b.	N/A	Hanger Plate
9c.	N/A	#8 x 3/4" Pan Head Wood Screw
10.	WSV02xxx	Standard Valance
Optional Parts:		
11.	WSV01xxx	Decorative Valance
12.	WHT06000	Inverted Guide with #8 x 1" Flathead Wood Screws
13.	WHT04000	Bottom Guide Track
14.	WSF11xxx	Bottom Track Quarter Round

xxx = 3-digit color code

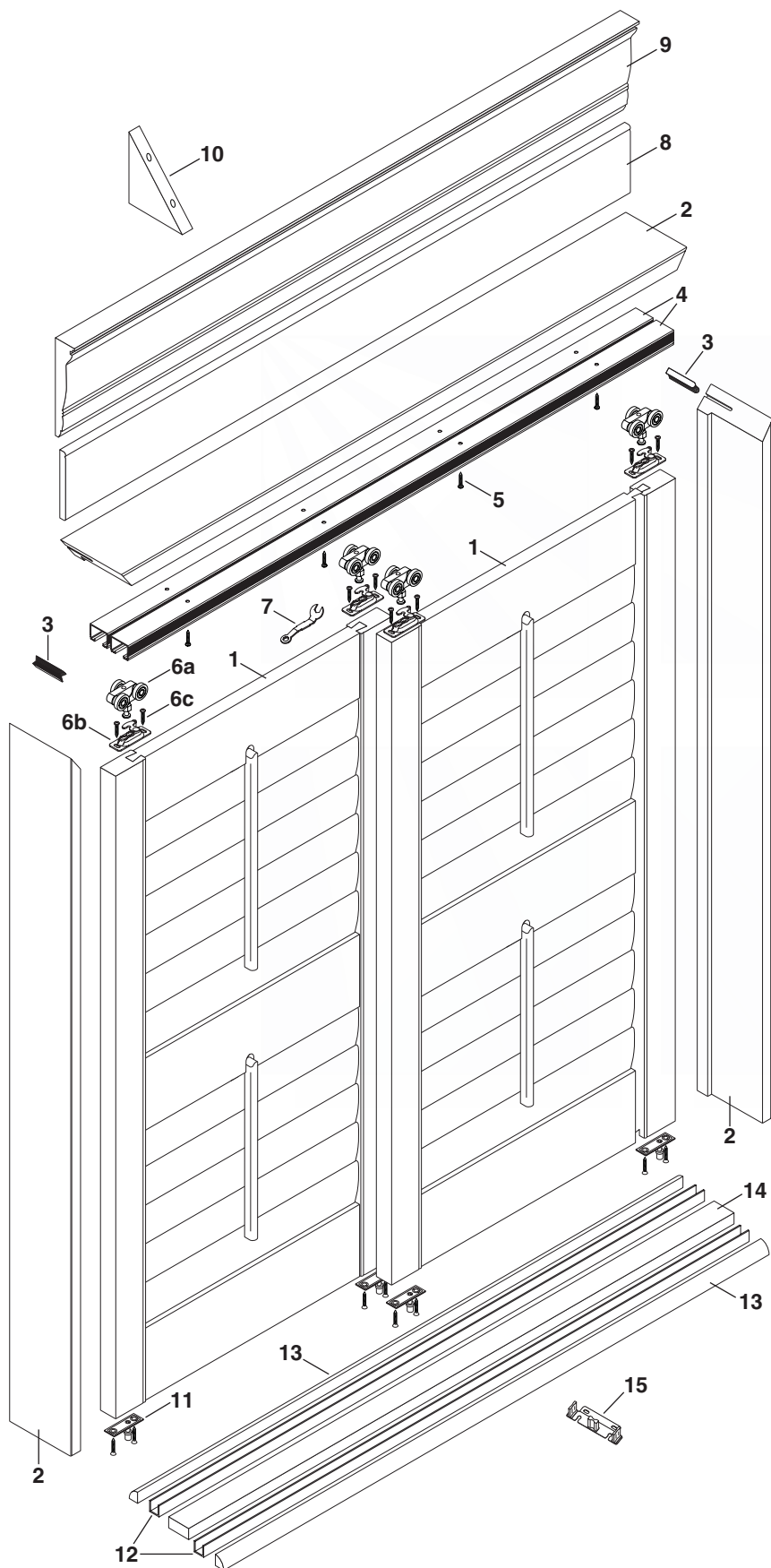
Wood Colors

701 Bright White
 704 Golden Oak
 708 Eggshell
 709 Linen
 770 Warm Cherry

Hinge Colors

006 Brass Finish
 007 Antique Brass Finish
 008 Brushed Nickel Finish
 009 White
 010 Off-White
 011 Stainless Steel

Bypass Track System



Standard Parts

1. Shutter Panels
2. Bypass Frame
3. Hoffman Key
4. Track Slider
5. Pan Head Wood Screw 3/4"
6. Hanger Set (6a – 6c)
- 6a. Hanger
- 6b. Hanger Plate
- 6c. Pan Head Wood Screw 3/4"
7. Wrench
8. Standard Valance

Optional Parts

9. Decorative Valance
10. Track Frame Support
11. Inverted Guide with 1" Screws
12. Bottom Guide Track
13. Bottom Track Quarter Round
14. Bottom Track Spacer
15. Bypass Floor Guide

Bypass Track System

No.	PCN	Description
1.	N/A	Shutter Panels
2.	WSF05xxx	Bypass Frame
3.	WHK02001	Hoffman Key White W3 1.81"
	WHK02002	Hoffman Key Brown W3 1.81"
4.	WHT03000	Track Slider
5.	WHS04000	#8 x 3/4" Pan Head Wood Screw
6.	WHT01000	Hanger Set
6a.	N/A	Hanger
6b.	N/A	Hanger Plate
6c.	N/A	#8 x 3/4" Pan Head Wood Screw
7.	WHT05000	Wrench
8.	WSV02xxx	Standard Valance
Optional Parts:		
9.	WSV01xxx	Decorative Valance
10.	WFS12xxx	Track Frame Support
11.	WHT06000	Inverted Guide with #8 x 1" Flathead Wood Screws
12.	WHT04000	Bottom Guide Track
13.	WSF11xxx	Bottom Track Quarter Round
14.	WSF10xxx	Bottom Track Spacer
15.	WHT07001	Bypass Floor Guide – White
	WHT07002	Bypass Floor Guide – Brown

xxx = 3-digit color code

Wood Colors

701 Bright White
 704 Golden Oak
 708 Eggshell
 709 Linen
 770 Warm Cherry

Hinge Colors

006 Brass Finish
 007 Antique Brass Finish
 008 Brushed Nickel Finish
 009 White
 010 Off-White
 011 Stainless Steel