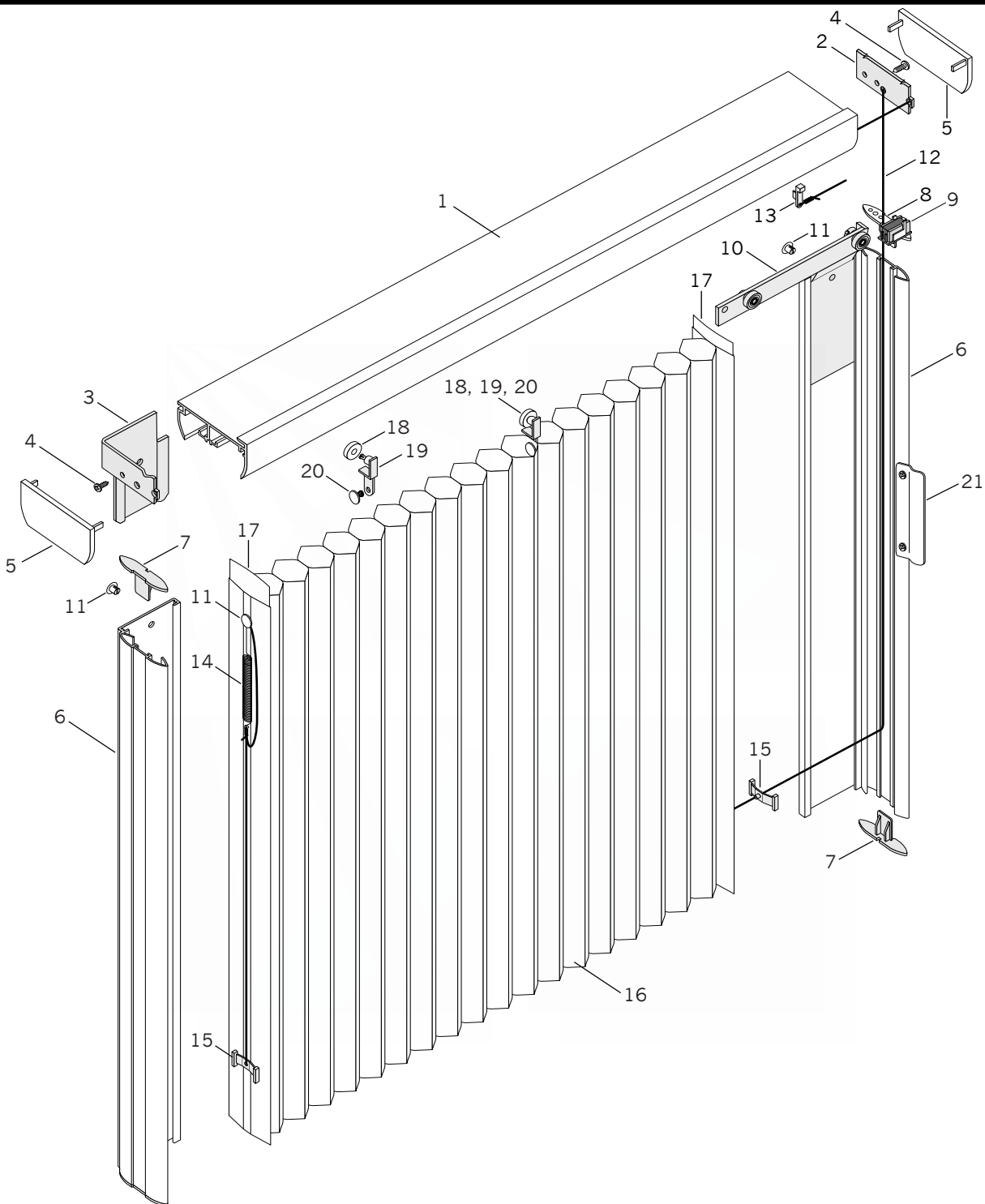


# Duette® Vertiglide™ Side Stack



## Standard Parts

- |                            |                                  |                                |                             |
|----------------------------|----------------------------------|--------------------------------|-----------------------------|
| 1. Vertiglide™ Top Rail    | 7. Vertical Rail End Cap         | 12. Cord                       | 16. Fabric                  |
| 2. Top Rail End Plate      | 8. Cord Guide End Cap            | 13. Vertiglide™ Cord Tensioner | 17. Filler Strip            |
| 3. Stationary Rail Bracket | 9. Magnet Assembly               | 14. Vertiglide™ Spring         | 18. Fabric Carrier Bearing  |
| 4. End Plate Screw         | 10. Moving Rail Bracket Assembly | 15. Cord Guide                 | 19. Fabric Carrier          |
| 5. Top Rail End Cap        | 11. Rail Hanger Snap Pin         |                                | 20. Fabric Carrier Snap Pin |
| 6. Vertical Rail           |                                  |                                | 21. Handle with Screws      |

# Duette® Vertiglide™ Side Stack

<b>No.</b>	<b>PCN</b>	<b>Description</b>
1.	2980158785	Vertiglide™ Top Rail
2.	2980111000	Top Rail End Plate
3.	2980103000	Stationary Rail Bracket LH
	2980104000	Stationary Rail Bracket RH
4.	2980116000	End Plate Screw
5.	2980112785	Top Rail End Cap
6.	2980102785	Vertical Rail
7.	2980113000	Vertical Rail End Cap
8.	2980146000	Cord Guide End Cap
9.	2980128000	Magnet Assembly
10.	2980311000	Moving Rail Bracket Assembly LH
	2980312000	Moving Rail Bracket Assembly RH
11.	2980114000	Rail Hanger Snap Pin
12.	5009085959	1.2 mm Cord
13.	2980109000	Vertiglide™ Cord Tensioner
14.	2980115000	Vertiglide™ Spring
15.	2950100000	Cord Guide
16.	N/A	Fabric
17.	2974000000	Filler Strip
18.	2980106000	Fabric Carrier Bearing
19.	2980107000	Fabric Carrier
20.	2980108000	Fabric Carrier Snap Pin
21.	2980110785	Handle with Screws

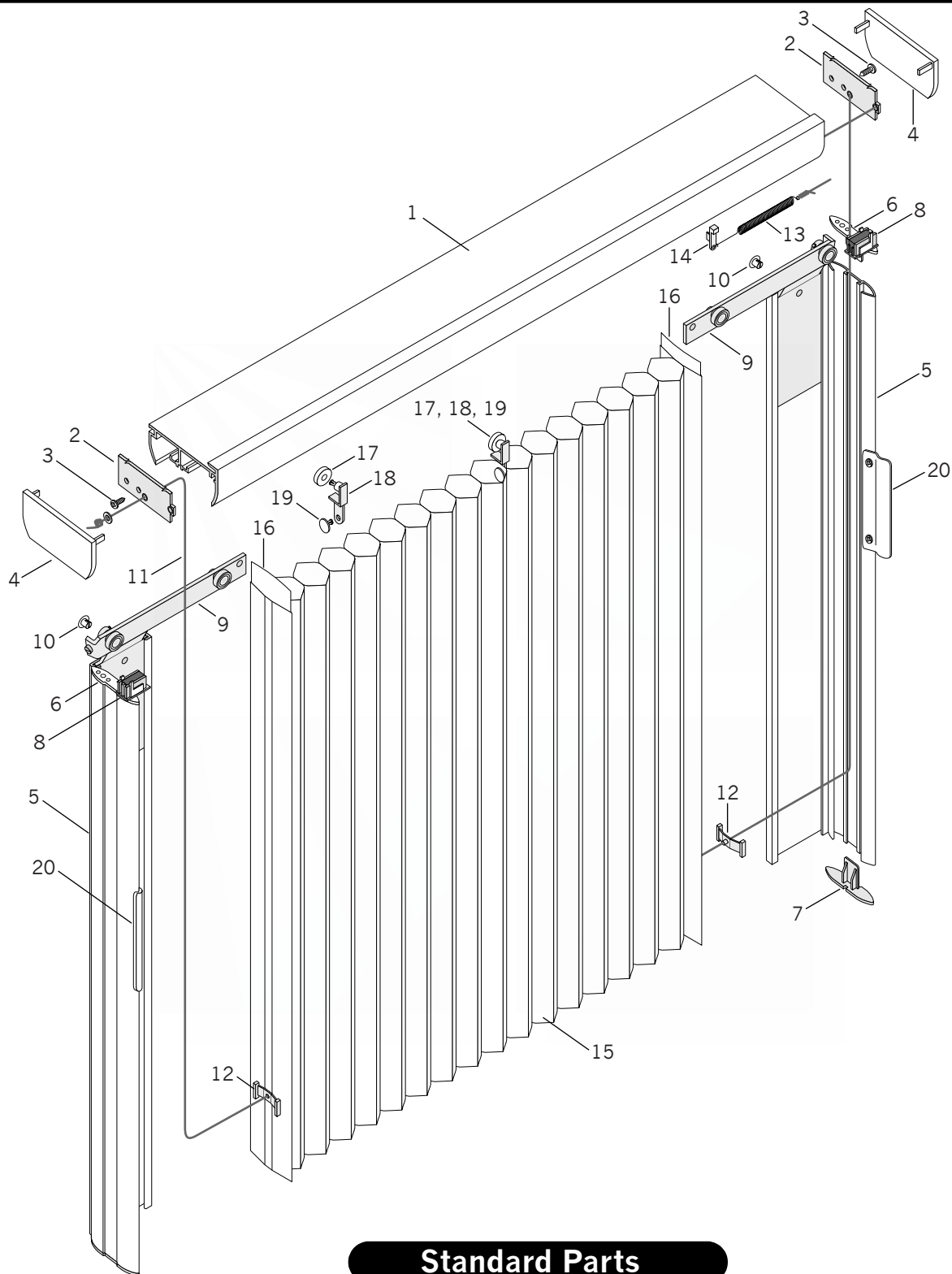
## **Additional Hardware:**

**(For pictures & specifics, see Duette® Specialty Hardware Systems Additional Hardware)**

2980127000	Vertiglide™ Metal Installation Bracket
2980126000	Vertiglide™ Plastic Installation Bracket
2980105000	Vertiglide™ Stationary Rail Bracket
2980297000	Vertiglide™ Inside Mount Adaptor
2980148000	Vertiglide™ Spacer Block
2930340000	Extension Bracket

xxx = 3-digit color code

# Duette® Vertiglide™ Center Stack



## Standard Parts

- |                         |                                 |                                |                                    |
|-------------------------|---------------------------------|--------------------------------|------------------------------------|
| 1. Vertiglide™ Top Rail | 7. Vertical Rail End Cap        | 12. Cord Guide                 | 17. Fabric Carrier Bearing         |
| 2. Top Rail End Plate   | 8. Magnet Assembly              | 13. Vertiglide™ Spring         | 18. Fabric Carrier                 |
| 3. End Plate Screw      | 9. Moving Rail Bracket Assembly | 14. Vertiglide™ Cord Tensioner | 19. Fabric Carrier Snap Pin        |
| 4. Top Rail End Cap     | 10. Rail Hanger Snap Pin        | 15. Fabric                     | 20. Vertiglide™ Handle with Screws |
| 5. Vertical Rail        | 11. Cord                        | 16. Filler Strip               |                                    |
| 6. Cord Guide End Cap   |                                 |                                |                                    |

© 2004 Hunter Douglas Inc. ® Registered trademark of Hunter Douglas Inc.

™ Trademark of Hunter Douglas Inc. Patented in the U.S. and foreign countries. U.S. and foreign patents pending.

Revision: 3/26/04

# Duette® Vertiglide™ Center Stack

<b>No.</b>	<b>PCN</b>	<b>Description</b>
1.	2980158785	Vertiglide™ Top Rail
2.	2980111000	Top Rail End Plate
3.	2980116000	End Plate Screw
4.	2980112785	Top Rail End Cap
5.	2980102785	Vertical Rail
6.	2980146000	Cord Guide End Cap
7.	2980113000	Vertical Rail End Cap
8.	2980128000	Magnet Assembly
9.	2980311000	Moving Rail Bracket Assembly LH
	2980312000	Moving Rail Bracket Assembly RH
10.	2980114000	Rail Hanger Snap Pin
11.	5009085959	1.2 mm Cord
12.	2950100000	Cord Guide
13.	2980115000	Vertiglide™ Spring
14.	2980109000	Vertiglide™ Cord Tensioner
15.	N/A	Fabric
16.	2974000000	Filler Strip
17.	2980106000	Fabric Carrier Bearing
18.	2980107000	Fabric Carrier
19.	2980108000	Fabric Carrier Snap Pin
20.	2980110785	Vertiglide™ Handle with Screws

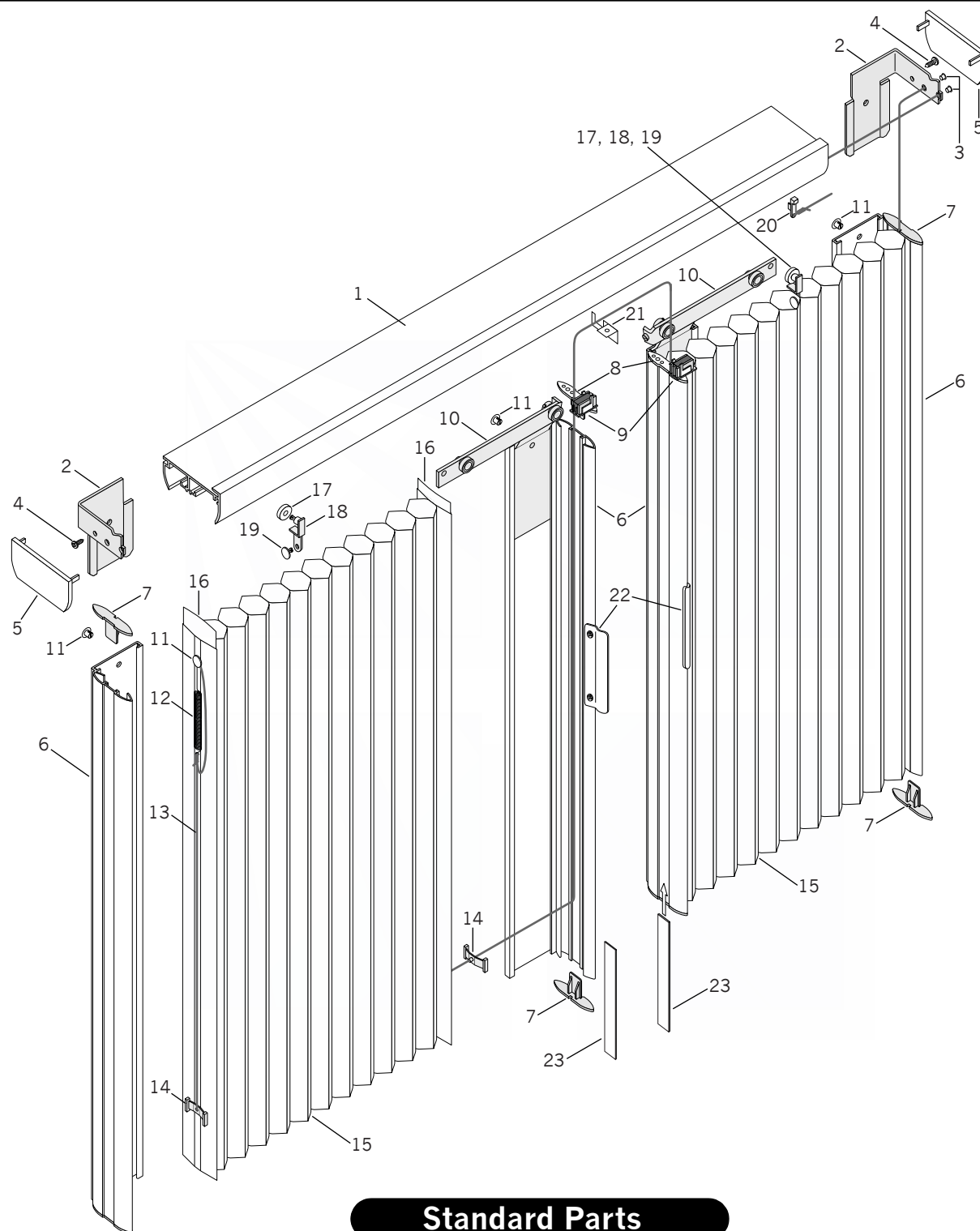
## **Additional Hardware:**

**(For pictures & specifics, see Duette® Specialty Hardware Systems Additional Hardware)**

2980127000	Vertiglide™ Metal Installation Bracket
2980126000	Vertiglide™ Plastic Installation Bracket
2980105000	Vertiglide™ Stationary Rail Bracket
2980297000	Vertiglide™ Inside Mount Adaptor
2980148000	Vertiglide™ Spacer Block
2930340000	Extension Bracket

xxx = 3-digit color code

# Duette® Vertiglide™ Center Opening



## Standard Parts

- |                            |                                  |                             |                                    |
|----------------------------|----------------------------------|-----------------------------|------------------------------------|
| 1. Vertiglide™ Top Rail    | 8. Cord Guide End Cap            | 14. Cord Guide              | 20. Vertiglide™ Cord Tensioner     |
| 2. Stationary Rail Bracket | 9. Magnet Assembly               | 15. Fabric                  | 21. Center Pull Plate              |
| 3. Specialty Eyelet        | 10. Moving Rail Bracket Assembly | 16. Filler Strip            | 22. Vertiglide™ Handle with Screws |
| 4. End Plate Screw         | 11. Rail Hanger Snap Pin         | 17. Fabric Carrier Bearing  | 23. White Magnetic Strip           |
| 5. Top Rail End Cap        | 12. Vertiglide™ Spring           | 18. Fabric Carrier          |                                    |
| 6. Vertical Rail           | 13. Cord                         | 19. Fabric Carrier Snap Pin |                                    |
| 7. Vertical Rail End Cap   |                                  |                             |                                    |

# Duette® Vertiglide™ Center Opening

<b>No.</b>	<b>PCN</b>	<b>Description</b>
1.	2980158785	Vertiglide™ Top Rail
2.	2980103000	Stationary Rail Bracket LH
	2980104000	Stationary Rail Bracket RH
3.	2980037000	Specialty Eyelet
4.	2980116000	End Plate Screw
5.	2980112785	Top Rail End Cap
6.	2980102785	Vertical Rail
7.	2980113000	Vertical Rail End Cap
8.	2980146000	Cord Guide End Cap
9.	2980128000	Magnet Assembly
10.	2980311000	Moving Rail Bracket Assembly LH
	2980312000	Moving Rail Bracket Assembly RH
11.	2980114000	Rail Hanger Snap Pin
12.	2980115000	Vertiglide™ Spring
13.	5009085959	1.2 mm Cord
14.	2950100000	Cord Guide
15.	N/A	Fabric
16.	2974000000	Filler Strip
17.	2980106000	Fabric Carrier Bearing
18.	2980107000	Fabric Carrier
19.	2980108000	Fabric Carrier Snap Pin
20.	2980109000	Vertiglide™ Cord Tensioner
21.	2980132000	Center Pull Plate
22.	2980110785	Vertiglide™ Handle with Screws
23.	2990130000	White Magnetic Strip

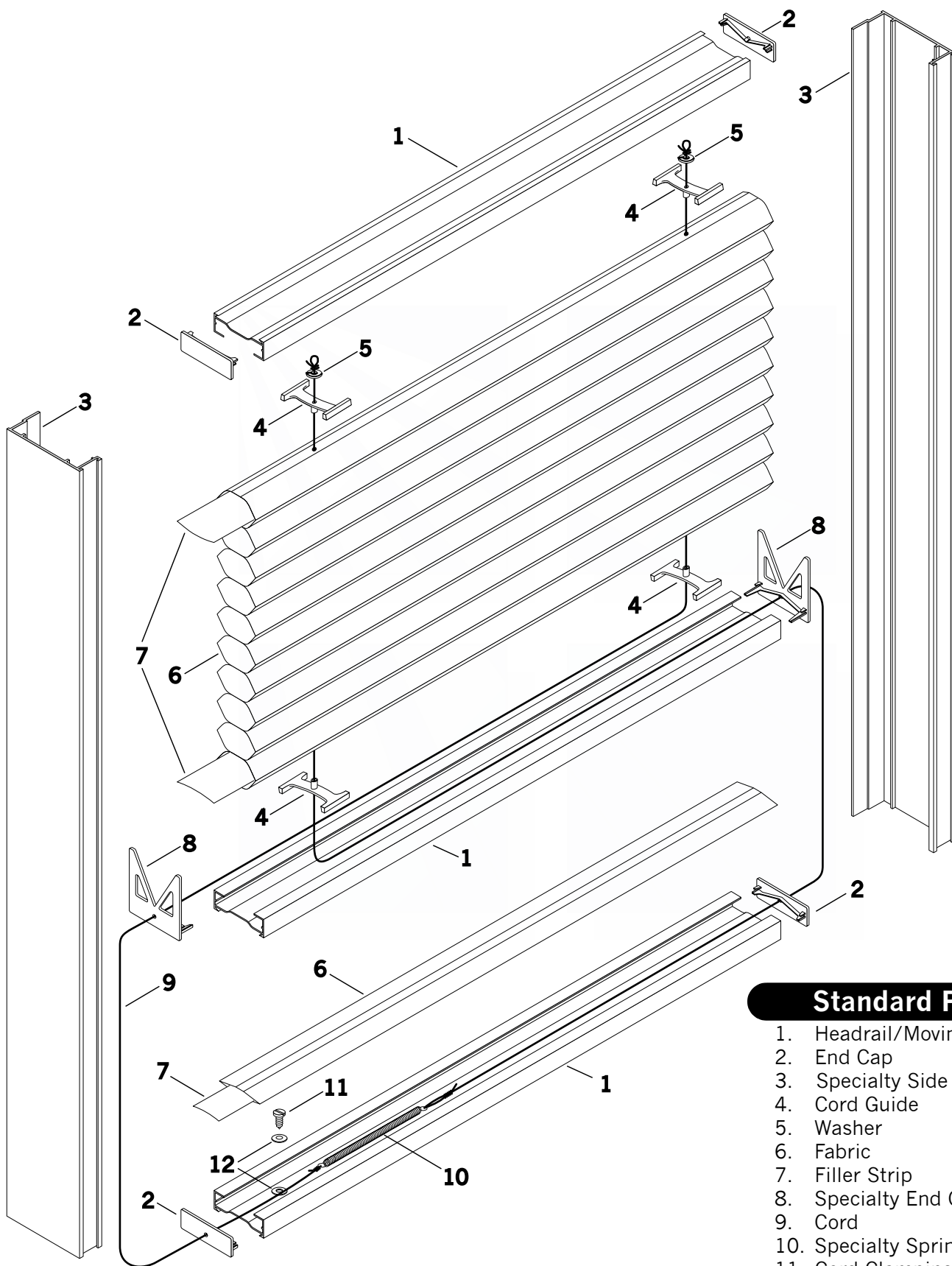
## **Additional Hardware:**

**(For pictures & specifics, see Duette® Specialty Hardware Systems Additional Hardware)**

2980127000	Vertiglide™ Metal Installation Bracket
2980126000	Vertiglide™ Plastic Installation Bracket
2980297000	Vertiglide™ Inside Mount Adaptor
2980105000	Stationary Rail Bottom Bracket
2980148000	Vertiglide™ Spacer Block
2930340000	Extension Bracket

xxx = 3-digit color code

# Duette® with Simplicity™



## Standard Parts

1. Headrail/Moving Rail/Anchor Rail
2. End Cap
3. Specialty Side Track
4. Cord Guide
5. Washer
6. Fabric
7. Filler Strip
8. Specialty End Cap
9. Cord
10. Specialty Spring
11. Cord Clamping Screw
12. Cord Clamping Washer

# Duette® with Simplicity™

<b>No.</b>	<b>PCN</b>	<b>Description</b>
1.	2950010785	3/8" Headrail/Moving Rail/Anchor Rail
	2970010785	3/4" Headrail/Moving Rail/Anchor Rail
2.	2950020785	3/8" End Cap
	2970020785	3/4" End Cap
3.	2980041785	3/8" Specialty Side Track
	2980042785	3/4" Specialty Side Track
4.	2950100000	3/8" Cord Guide
	2970200000	3/4" Cord Guide
5.	2930130000	Washer
6.	N/A	Fabric (3/8", 1/2", 3/4", Double & Triple Honeycomb)
7.	2954000000	3/8" Filler Strip
	2974000000	3/4" Filler Strip
8.	2980045000	3/8" Specialty End Cap
	2980040000	3/4" Specialty End Cap
9.	5009085959	1.2 mm Cord
10.	2980035000	Specialty Spring
11.	2980049000	Cord Clamping Screw
12.	2980043000	Cord Clamping Washer

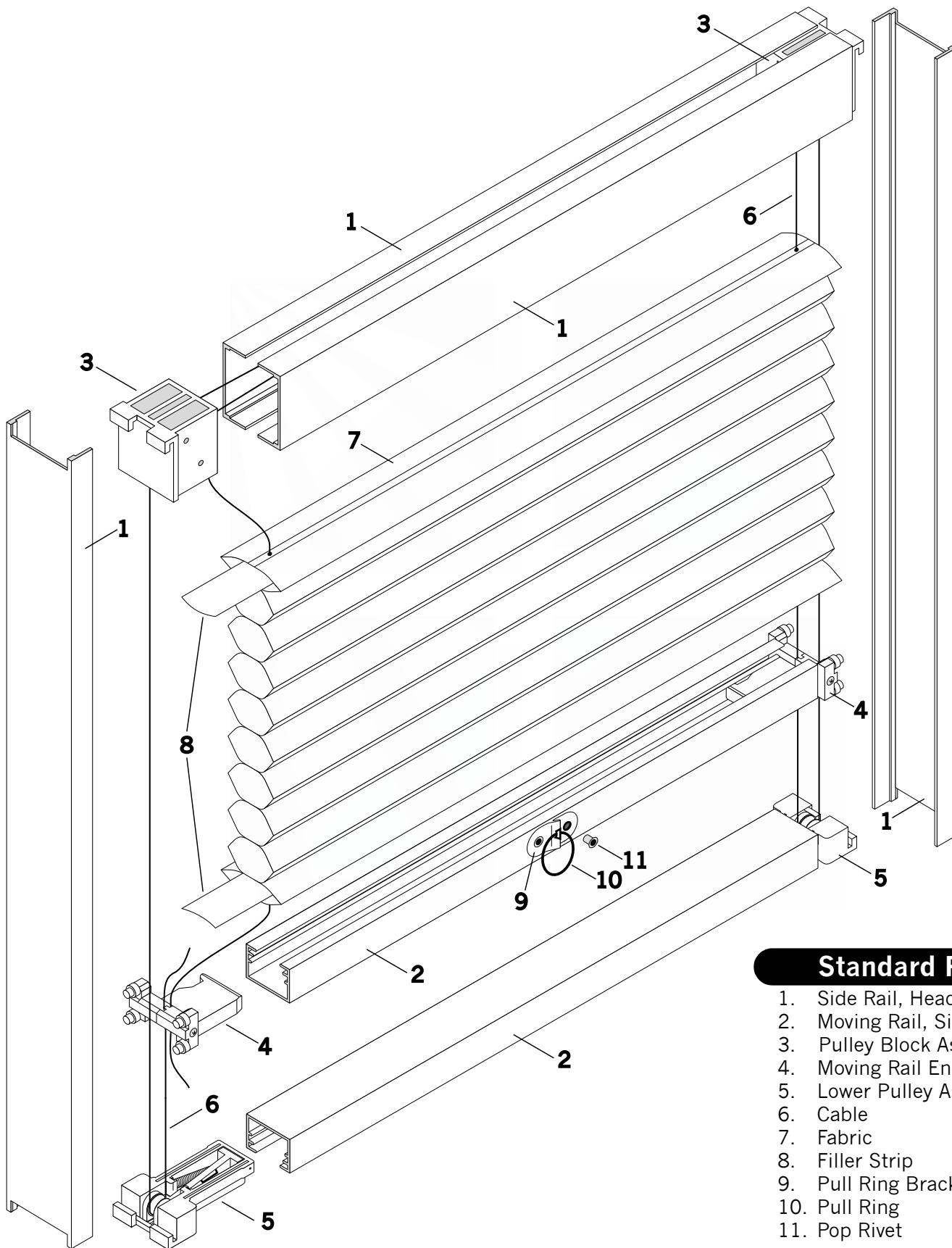
## **Additional Hardware:**

**(For pictures & specifics, see Duette® Specialty Hardware Systems Additional Hardware)**

2950062000	Installation Bracket 3/8"
2970061000	Installation Bracket 3/4"
2980048885	Specialty Handle
2980049000	Handle Screw
2980037000	Specialty Eyelet (for Support Cord)
N/A	1" x 1/16" Aluminum (Rail Stiffener)
2995840000	Optional Extension Pole

xxx = 3-digit color code

# Duette® with Skyrise®



## Standard Parts

1. Side Rail, Headrail
2. Moving Rail, Sill Rail
3. Pulley Block Assembly
4. Moving Rail End Cap
5. Lower Pulley Assmebly
6. Cable
7. Fabric
8. Filler Strip
9. Pull Ring Bracket
10. Pull Ring
11. Pop Rivet

# Duette® with Skyrise®

<b>No.</b>	<b>PCN</b>	<b>Description</b>
1.	2950862785	Side Rail, Headrail
2.	2950805785	Moving Rail, Sill Rail
3.	2950801000	Pulley Block Assembly
4.	2951160000	Moving Rail End Cap RH
	2951161000	Moving Rail End Cap LH
5.	2950804000	Lower Pulley Assembly
6.	2950866000	Cable
7.	N/A	Fabric (1/2", 3/8", 3/4" & Triple Honeycomb)
8.	2954000000	3/8" Filler Strip
	3200090885	1/2" Filler Strip
9.	2950841000	Pull Ring Bracket
10.	2950864000	Pull Ring
11.	2950842000	Pop Rivet

### Support Cord Components (Not Shown)

2950822000	Support Cord
2950823000	Steel Washer
2950824000	Cone Spring
2980037000	Eyelet
2950826000	Plug Fitting
2950827000	Thread Fitting
2951128000	Support Bracket
2950829000	Nut (5-40)

### Outside Mount Components (Not Shown)

2950875000	Side Rail Inserts
------------	-------------------

### Side-to-Side Mount Components (Not Shown)

2950878000	Threaded Stand-Offs
------------	---------------------

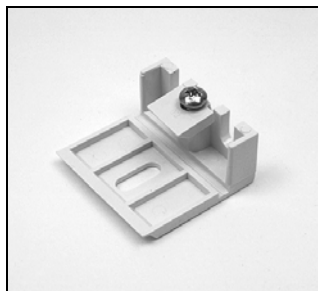
### Additional Hardware:

(For pictures & specifics, see Duette® Specialty Hardware Systems Additional Hardware)

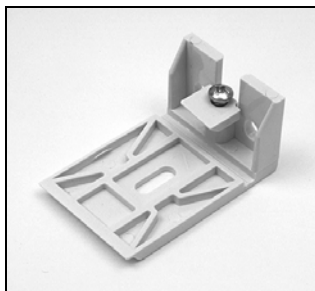
2950832000	Skyrise® Installation Bracket
2950867785	Skyrise® Rail Seal
2995840000	Skyrise® Optional Extension Pole

xxx = 3-digit color code

# Duette® Specialty Hardware Systems Additional Hardware



Installation Bracket 3/8"  
PCN 2950062000



Installation Bracket 1/4"  
PCN 2970061000



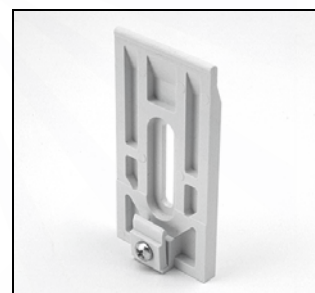
Skyrise® Installation Bracket  
PCN 2950832000



Universal Mounting Bracket  
PCN 2950874000



Vertiglide™ Installation  
Bracket (Metal)  
PCN 2980127000



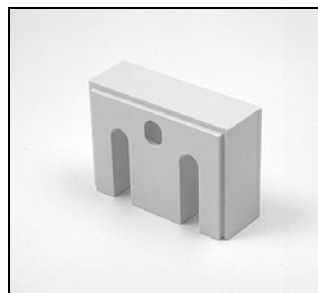
Vertiglide™ Installation  
Bracket (Plastic)  
PCN 2980126000



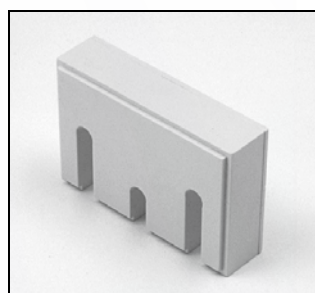
Vertiglide™ Stationary Rail  
Bracket  
PCN 2980105000



Vertiglide™ Inside Mount  
Adaptor  
PCN 2980297000



Spacer Block  
PCN 2930230000



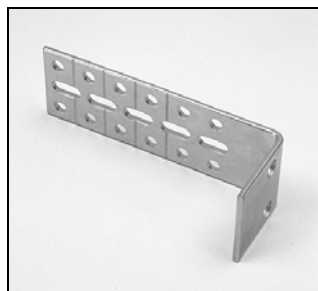
Vertiglide™ Spacer Block  
PCN 2980148000



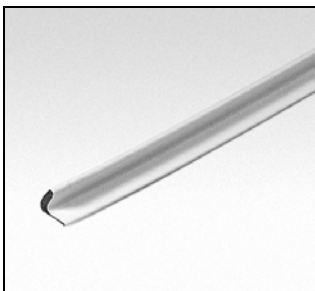
Simplicity™ Handle  
PCN 2980048885



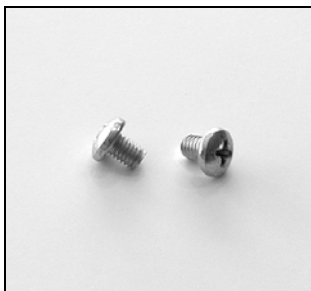
Handle Mounting Screws  
PCN 2980049000



Extension Bracket  
PCN 2930340000



Skyrise® Rail Seal  
PCN 2950867785



Skyrise® Side Rail Screws  
PCN 2950876000



Skyrise® Headrail Screws  
PCN 2950877000

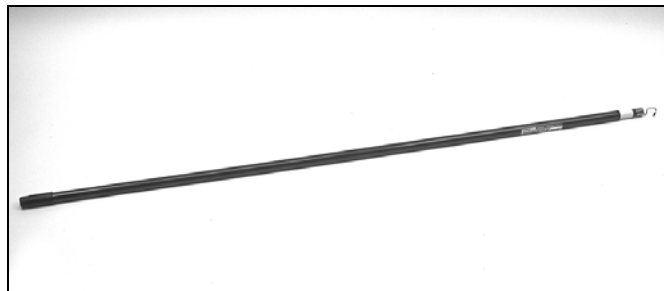
# Duette® Specialty Hardware Systems Additional Hardware



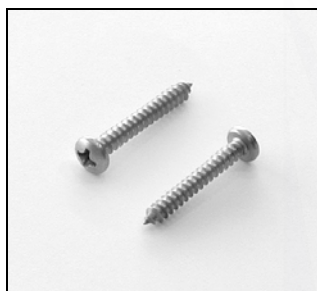
Skyrise® Stand-Off Screws  
PCN 2950879000



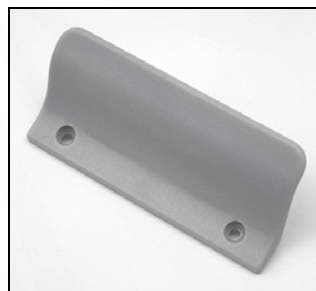
Mounting Screws 6X1.5  
PCN 2980153000



Optional Extension Pole for Simplicity™ and Skyrise®  
PCN 2995840000



Wall Mount Screws  
PCN 2980326000



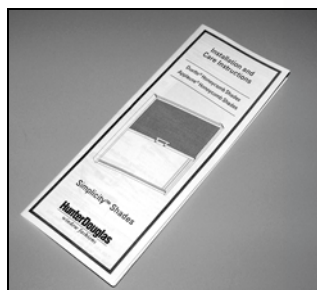
Vertiglide™ Handle with  
Screws  
PCN 2980110785



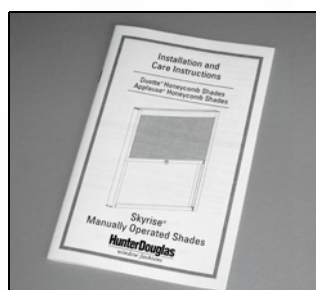
Vertiglide™ Top Rail End Caps  
PCN 2980112785



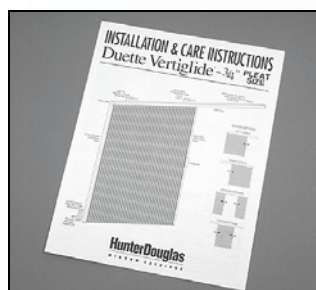
Hunter Douglas Warranty  
Registration Card  
PCN 7107622000



Duette® with Simplicity™  
Installation Instructions  
PCN 5109141000



Duette® with Skyrise®  
Installation Instructions  
PCN 5109056000



Vertiglide™ Installation  
Instructions  
PCN 5101620000