

HunterDouglas

Installation • Operation • Care



Designer Roller Shade
Standard Cassette System with Clutch
and Dual Roller Shade

CONTENTS

Getting Started:

Installation Components Needed 1
Tools And Fasteners Needed 1
Mounting Types..... 2
Product Views 3

Installation:

Install The Shade 5
Secure The Cord Tensioners 6
Install Optional Components 6

Operation:

Single Shade Operation 7
Dual Shade Operation 8
Adjust The Shade 9
Troubleshooting 10
Shade Removal 11

Care:

Cleaning Procedures 11

Safety:

Child Safety 12

Questions?

Call the Hunter Douglas Customer Information Center at
1-888-501-8364.



© 2008 Hunter Douglas Inc.
® Registered trademark of Hunter Douglas Inc.
Patented in the U.S. and foreign countries. Other U.S. and foreign patents pending.

GETTING STARTED

Thank you for purchasing Hunter Douglas roller shades. With proper installation, operation and care, your new shades will provide years of beauty and performance. Please thoroughly review this instruction booklet before beginning the installation.

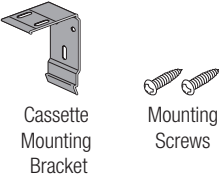
Installation Components Needed

Check the packaging to be sure you have all the components needed to install your shades. Keep the packaging until the shades perform to your satisfaction.

Required Components

The number of brackets required varies with shade width, as shown in the following bracket table.

■ **Installation Bracket Requirements.**



Cassette Installation Brackets Required

Shade Width	Brackets Required
Up to 36"	2
36 1/8" - 72"	3
72 1/8" - 90"	4
90 1/8" - 120"	5

Tools And Fasteners Needed

- Flat head and Phillips screwdriver
- Level
- Measuring tape and pencil
- Power drill and drill bits

In addition, you will need fasteners designed to work with your specific mounting surface(s).

- **#6 hex head screws (provided).** Two 1 1/2" screws are provided per installation bracket.
- **Wall anchors (not provided).** If mounting into drywall, you will need wall anchors to ensure a secure installation.

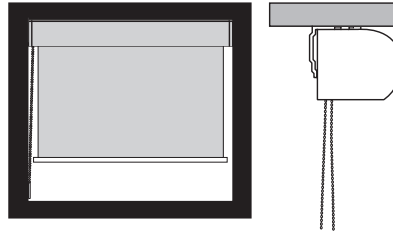


GETTING STARTED

Mounting Types

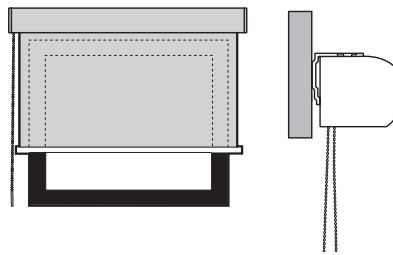
Inside Or Ceiling Mount

Install inside a window frame or to the ceiling.



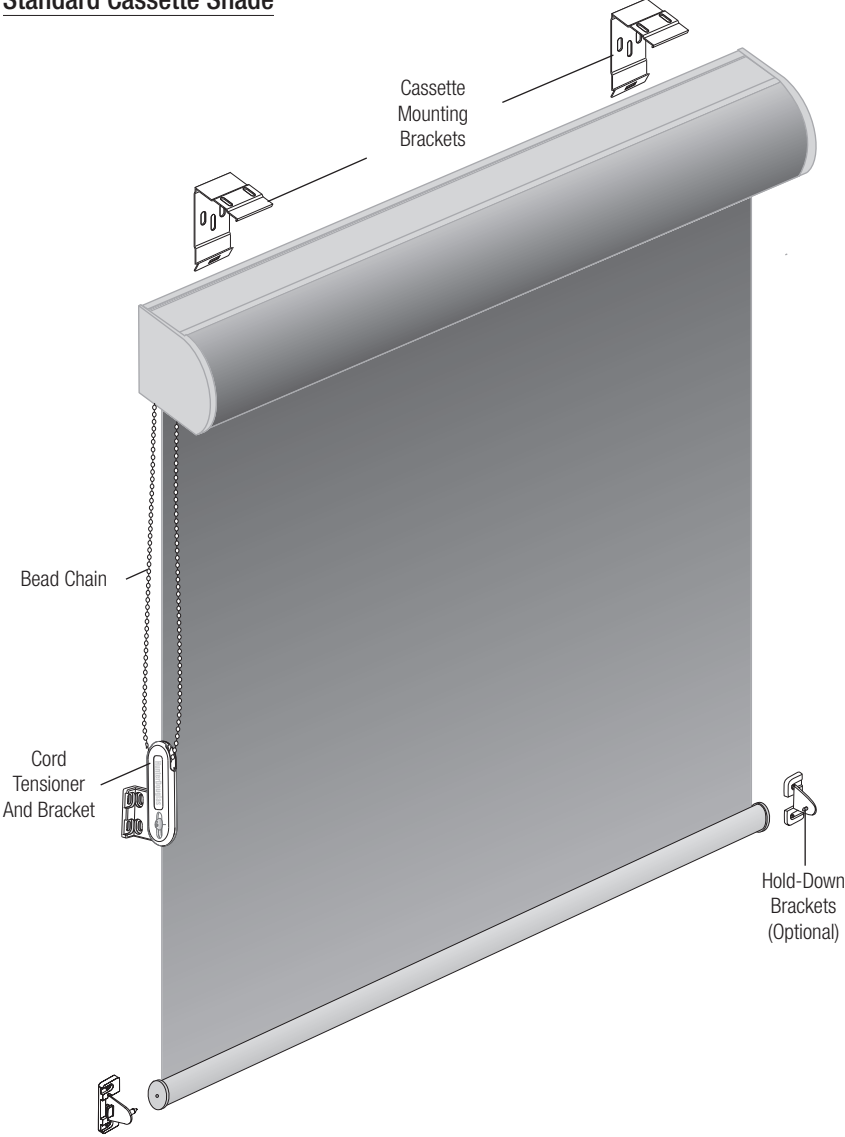
Outside Or Wall Mount

Install outside the window frame or to the wall.



Product Views

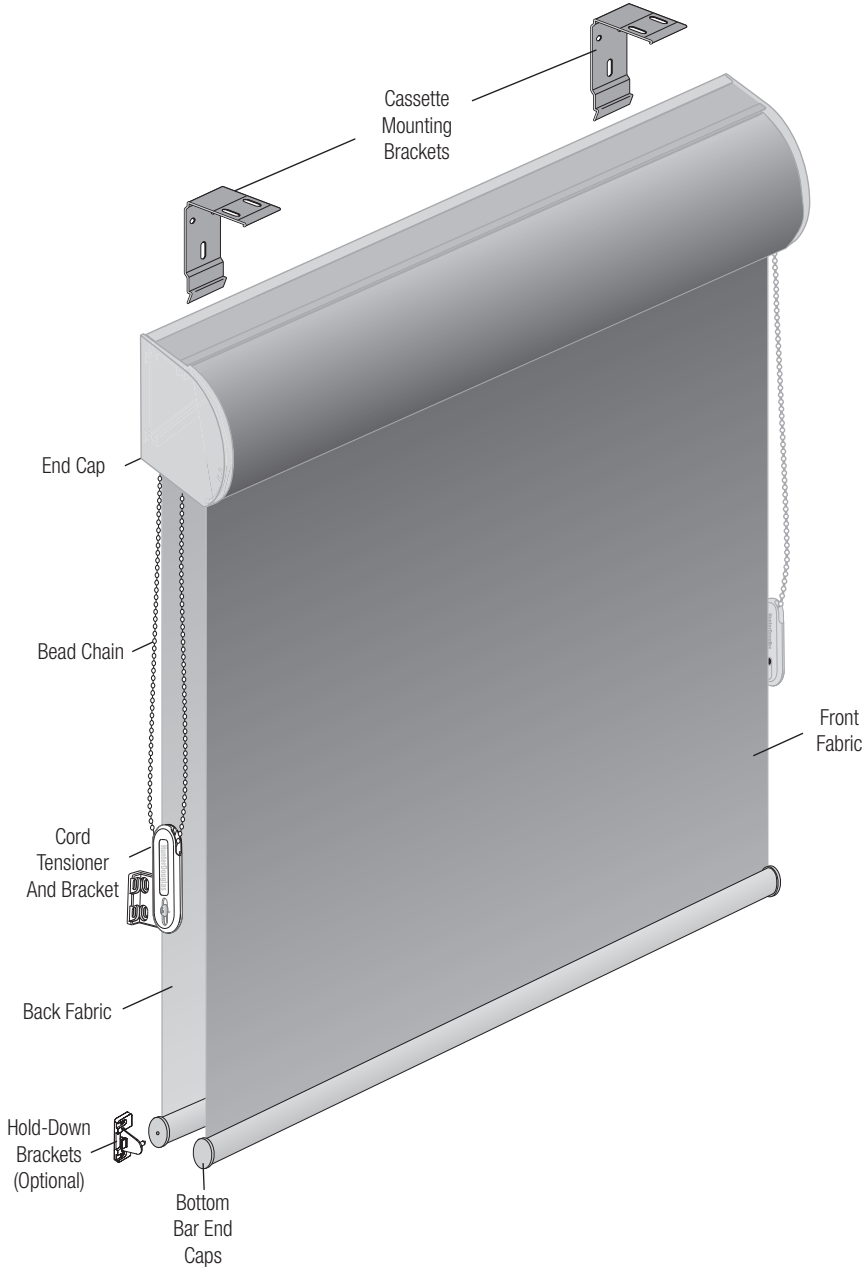
Standard Cassette Shade



GETTING STARTED

Product Views

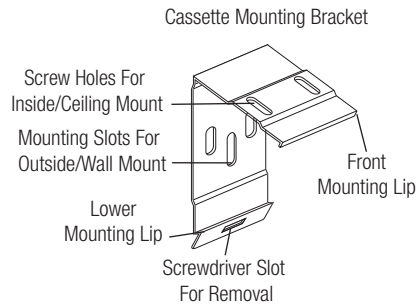
Dual Roller Shade



INSTALLATION

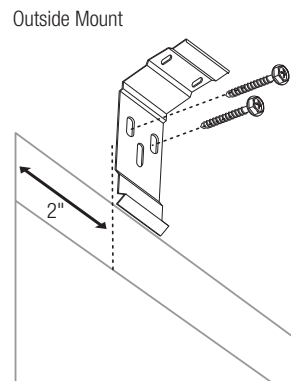
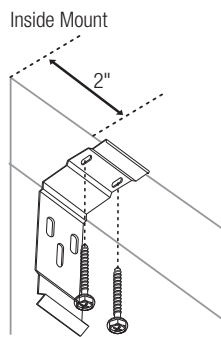
Install The Shade

- Bracket spacing is the same for inside and outside mounted shades.
- Measure 2" in from where the ends of the cassette will be located and mark the bracket locations on the mounting surface.
 - If more than two installation brackets came with your order, make additional marks to space the other bracket(s) evenly between the two end brackets.
 - Adjust bracket placement to gain clearance to avoid any obstructions, such as window cranks or handles.
- Center an installation bracket on each mark. Then mark where to drill pilot holes for the mounting screws.



IMPORTANT: The installation brackets must be mounted level to operate properly.

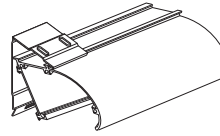
- Secure bracket with two screws.



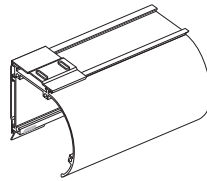
INSTALLATION

Cassette Installation

- Angle the cassette back and then align the cassette under the front lip of the bracket.



- Push the cassette back to snap it into the lower lip of the bracket.



Secure The Cord Tensioners

- It is imperative that the cord tensioner be properly secured to the wall or window frame to reduce children's access to the beaded cord loop. Young children can strangle in the beaded cord loops. They can also wrap cords around their necks and strangle.
- Furthermore, the shading will not operate properly unless the cord tensioner is secured. A cord tensioner installation kit has been included with your shading. Follow the instructions in the kit to correctly secure the cord tensioner.

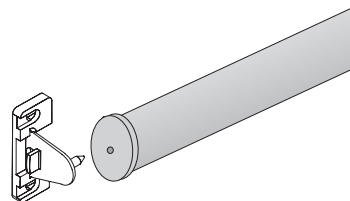
IMPORTANT: See the Child Safety Warning on page 12.

Install Optional Components

Attach The Hold-Down Brackets

Hold-down brackets may be used with ceiling and outside mount shades only. Hold-down brackets can only be attached to the back fabric of a dual roller shade.

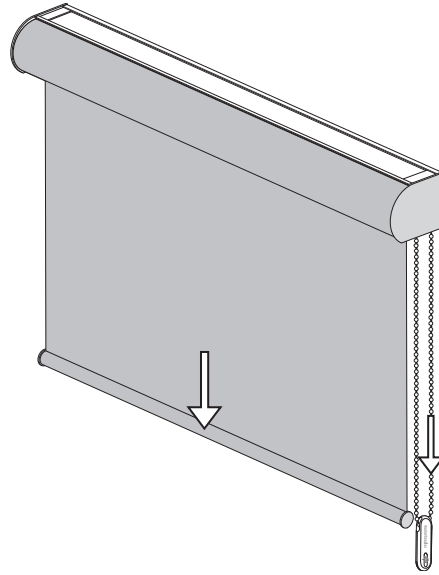
- With the shade fully lowered, insert the pin on the hold-down bracket into the hole on the bottom rail end cap.
- Mark the mounting hole locations on the mounting surface.
- Center the hold-down brackets over the mounting hole locations and check their alignment.
- Attach using two screws.



Single Shade Operation

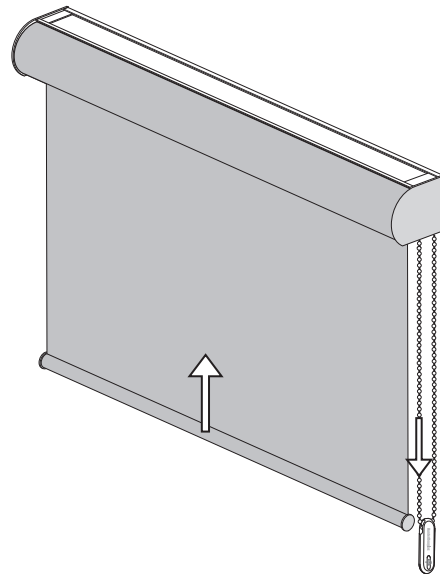
Lowering The Shade

- Pull the back of the beaded cord loop to lower the shade.



Raising The Shade

- Pull the front of the beaded cord loop to raise the shade.

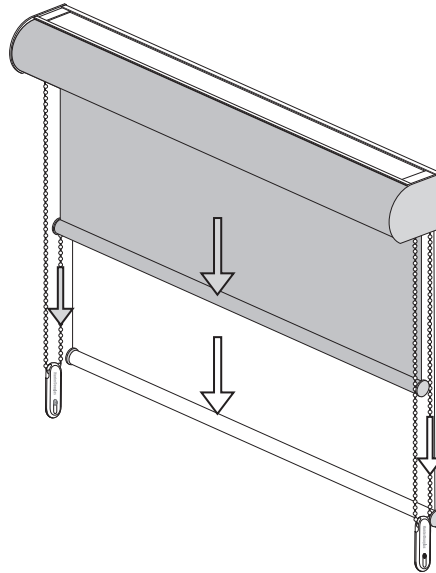


OPERATION

Dual Shade Operation

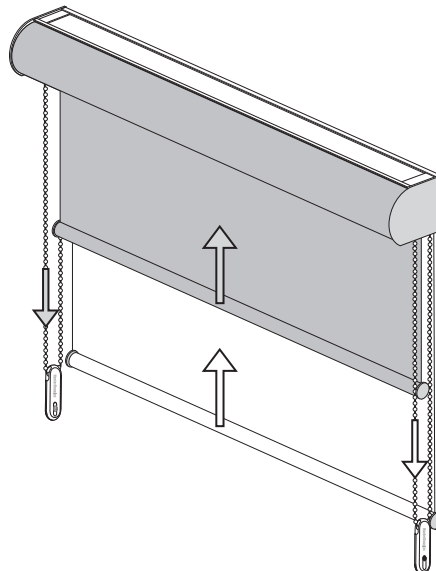
Lowering The Shade

- Pull the back of the beaded cord loop to lower either shade.



Raising The Shade

- Pull the front of the beaded cord loop to raise either shade.



Adjust The Shade

- Using the bead chain, completely lower the roller shade.
- Raise the shade slowly and observe how the fabric winds on the roll.

IMPORTANT: Level mounting is essential for proper operation.

- If the fabric winds unevenly and begins to telescope to one side, check to insure that the shade is level.
- If the shade is not level, remove it from the installation brackets and shim or re-install the brackets, as necessary.

IMPORTANT: If the shade was unrolled before being installed, it may not raise and lower to the right points. To correct this:

- Remove the shade from the mounting brackets.
- Roll the shade up until the bottom rod is even with the bottom of the clutch.
- Re-install the shade.

Height Adjustment

If your shade is slightly long or short for your window opening, the “drop” will need to be corrected.

- Raise the shade completely (until the bead stop touches the back of the clutch).
 - For a shorter drop, move the bead stop two to four beads up.
 - For a longer drop, move the bead stop two to four beads down.

IMPORTANT: Maximum adjustment is 1¾", or eight to nine beads.

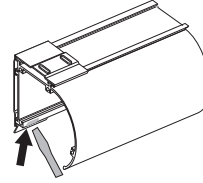
OPERATION

Troubleshooting

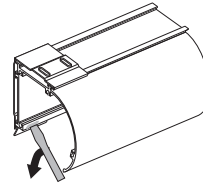
Problem	Solution
The shade raises or lowers unevenly.	■ Check the mounting brackets to ensure they are level and aligned.
The shade will not raise.	■ If the hold-down brackets have been used, make sure they have been released.
The universal cord tensioner has climbed to the headrail.	■ Pull down on the spring to relieve tension and pull the universal cord tensioner to the bottom of the cord loop. Properly mount the cord tensioner. See <i>Universal Cord Tensioner Installation Instructions</i> .
The universal cord tensioner grabs onto the cord upon operation.	■ Check that the universal cord tensioner is mounted properly. Reinstall, if necessary.

Shade Removal

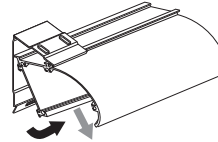
- Insert the tip of a flat head screwdriver into the screwdriver slot provided on the bracket.



- Press down to release the cassette.



- Roll the cassette forward and then down to remove.



Cleaning Procedures

The following options are available if your shade needs cleaning.

Dusting

- Regular light dusting with a feather duster or soft cloth is all the cleaning that is needed in most circumstances.

Vacuuming

- Use a hand-held vacuum with low suction for more thorough dust removal.

CAUTION: Do not clean with harsh detergents.

For more cleaning methods specific to your roller shade fabric, please consult your Hunter Douglas dealer.

CHILD SAFETY

Child Safety



! WARNING

**For more safety information call 1-888-501-8364
in the U.S. or 1-866-662-0666 in Canada.**

Young children can STRANGLE in beaded cord loops. They can also wrap beaded cords around their necks and STRANGLE.

- Always keep beaded cords out of the reach of children.
- Move cribs, playpens and other furniture away from beaded cords. Children can climb furniture to get to beaded cords.
- Attach the cord tensioner on the beaded cord loops to the wall or window casement. This can prevent children from pulling the beaded cord loops around their necks.
- Hunter Douglas provides a cord tensioner installation kit, with instructions for attaching the cord tensioners. For the shade to operate properly, the cord tensioners must be correctly mounted and secured.
- Only Hunter Douglas supplied cord tensioners and hardware should be used. Replacement parts may be obtained by contacting the Hunter Douglas Customer Information Center at 1-888-501-8364.

HunterDouglas

LIGHT CAN CHANGE EVERYTHING®

hunterdouglas.com

LIT888147B



1/08