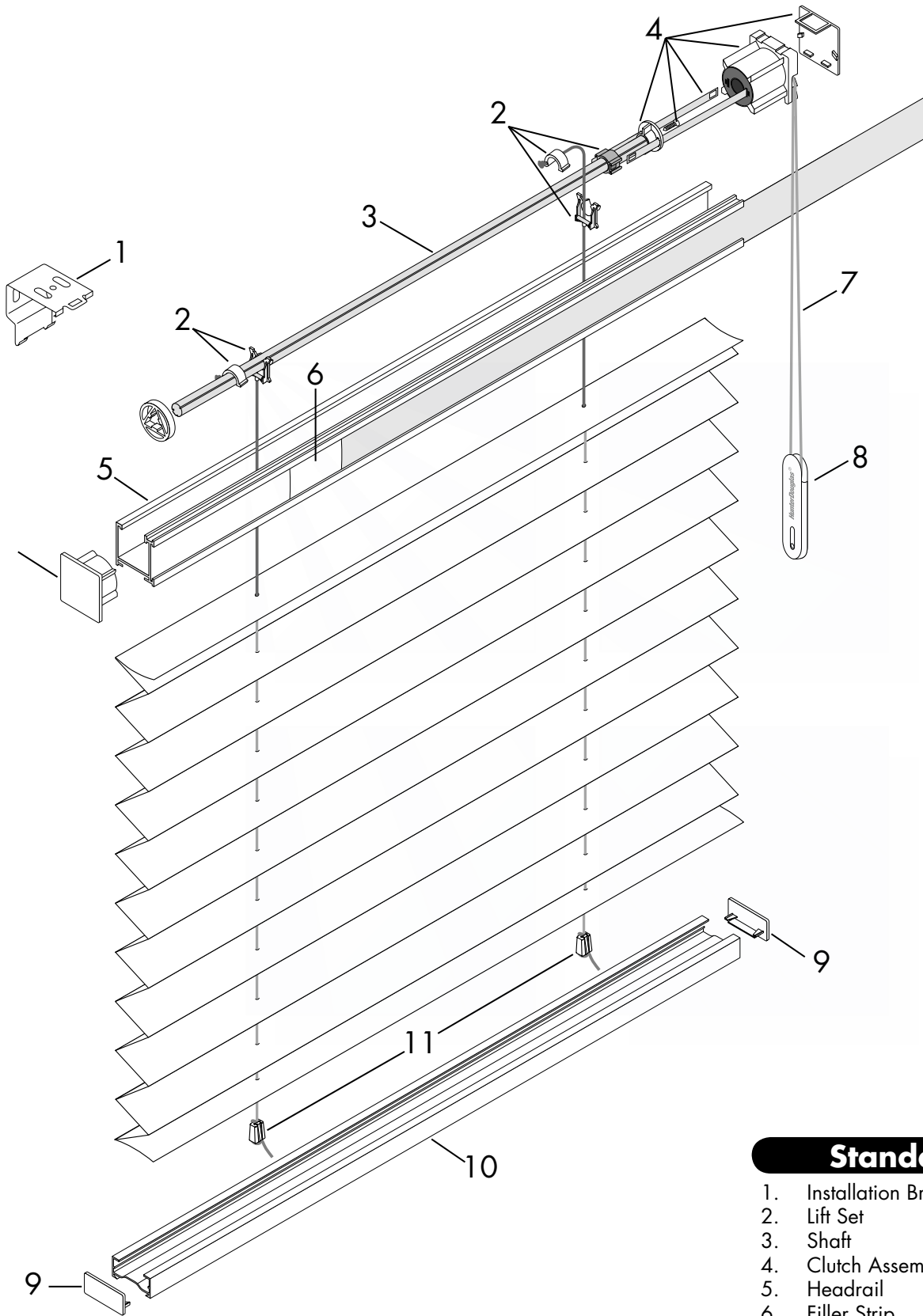


Brilliance® Pleated Shades with EasyGlide®



Standard Parts

1. Installation Brackets
2. Lift Set
3. Shaft
4. Clutch Assembly
5. Headrail
6. Filler Strip
7. Cord Loop
8. Universal Cord Tensioner
9. Universal Bottom Rail End Caps
10. Bottom Rail
11. Equalizers

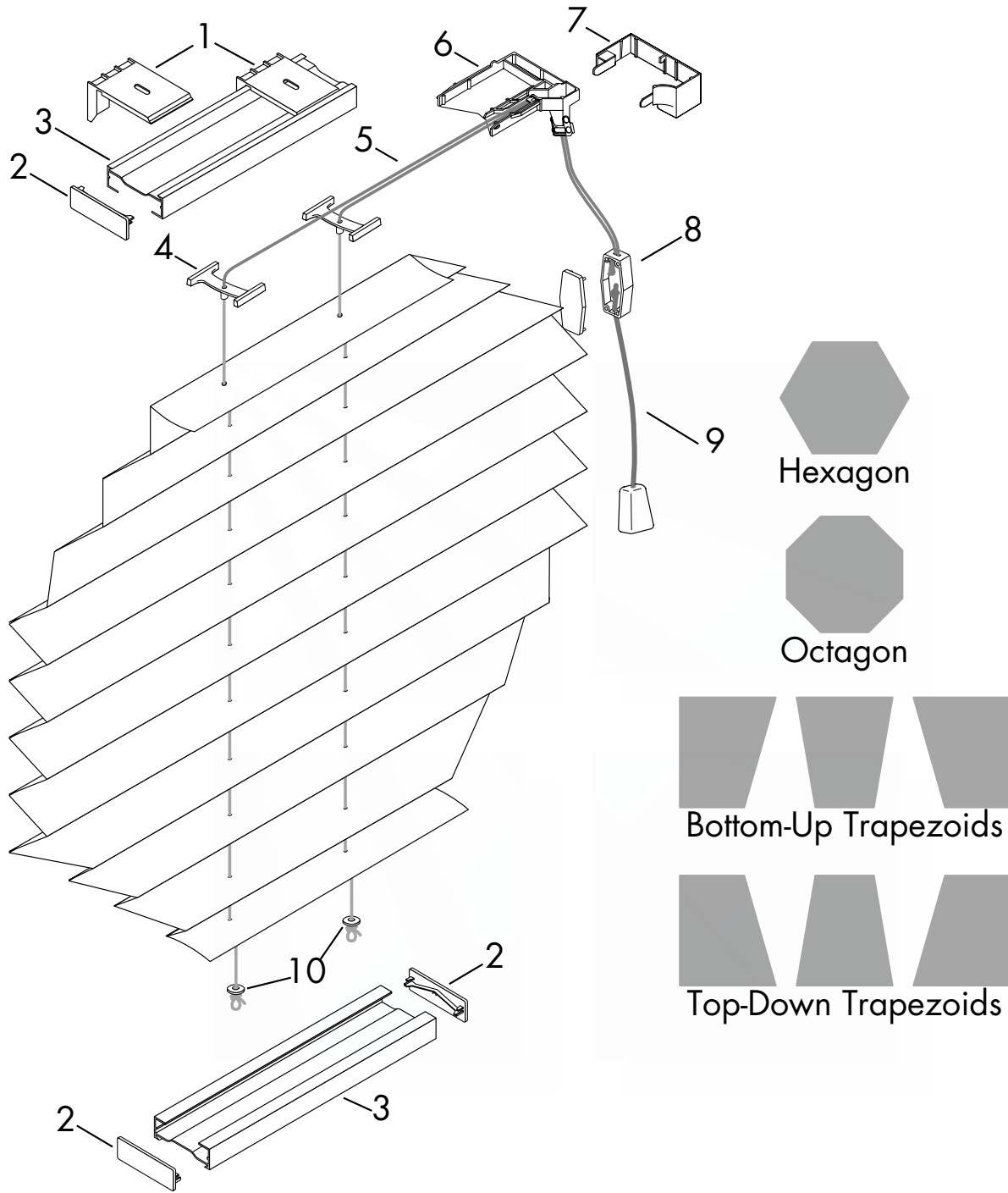
Brilliance® Pleated Shades with EasyGlide®

NUMBER	PCN	COMPONENT DESCRIPTION
1.	2950062000	Installation Brackets
	2950071064	
	2950071765	
	2950071785	
	2980033000	
	2980038000	
2.	555033	Lift Set
3.	555036-16	Shaft
4.	555032	Clutch Assembly
	555068	
	555069	
5.	5550xx-16	Headrail
6.	2954000000	Filler Strip
7.	5550xxA	Cord Loop
8.	557000	Bottom Rail End Cap
	2950020xxx	
9.	2950010xxx	Bottom Rail
10.	555066	Equalizer
	2930220000	
11.	2671000xxx	Lift Cord

ADDITIONAL COMPONENTS

	555004	Installation Screw
	555065	Tape
	559056	Eyelet
	888100	Installation Instructions
	888105	Bracket Label
	888106	Patent Label
	888107	Warning Label
	2930080000	Extension Bracket
	2930130000	Plastic Washer
	5007311000	Hold-Down Bracket
	PC5550008	Weight
	PC555033	Hold-Down Screw

Brilliance® Specialty Shades



Standard Parts

1. Installation Brackets
2. End Caps
3. Headrail/Bottom Rail
4. Cord Guide
5. Lift Cord
6. Cordlock Body
7. Cordlock Cover
8. Universal Tassel
9. Pull Cord
10. Plastic Washer

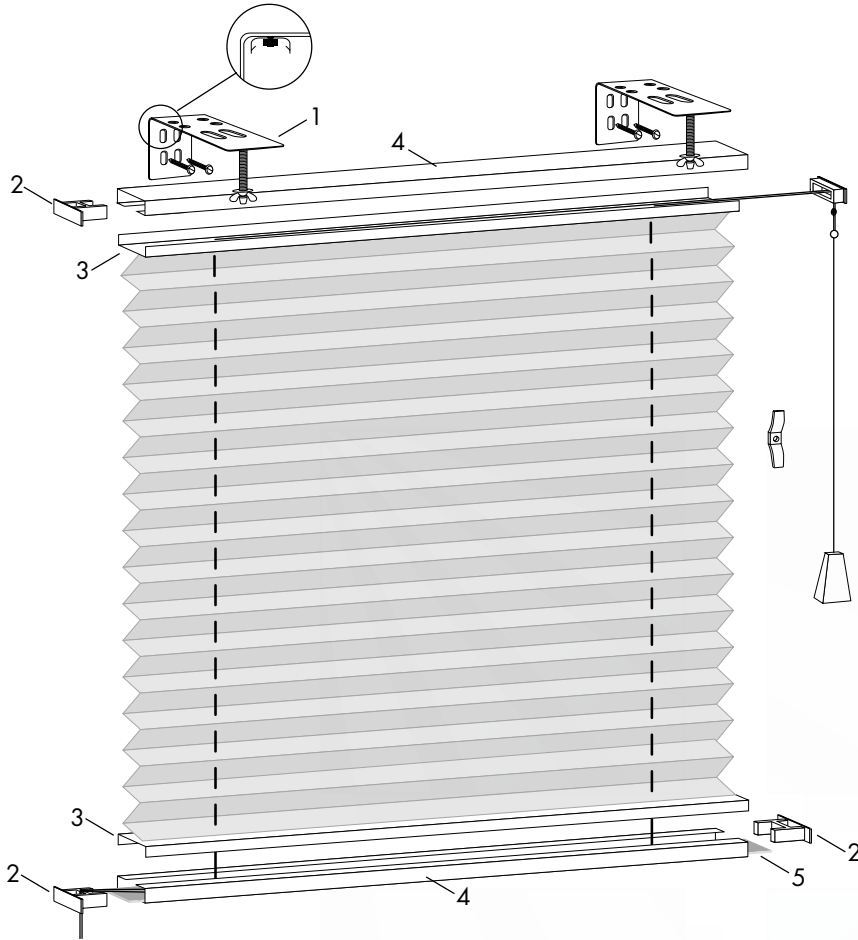
Brilliance® Specialty Shades

NUMBER	PCN	COMPONENT DESCRIPTION
1.	2950062000	Installation Brackets
	2950071064	
	2950071765	
	2950071785	
	2980033000	
	2980038000	
2.	557000	Headrail/Bottom Rail End Cap
	2950020xxx	
3.	2950010xxx	Headrail/Bottom Rail
4.	3020453000	Cord Guide
5.	555004	Installation Screw
6.	556050	Cordlock Body - Left Hand
	556001	Cordlock Body - Right Hand
7.	556051	Cordlock Cover - Left Hand
	2950085xxx	Cordlock Cover - Left Hand
	556003	Cordlock Cover - Right Hand
	2950075xxx	Cordlock Cover - Right Hand
8.	2930440885	Universal Cover Tassel
9.	3671000xxx	Pull Cord
10.	2930130000	Plastic Washer

ADDITIONAL COMPONENTS

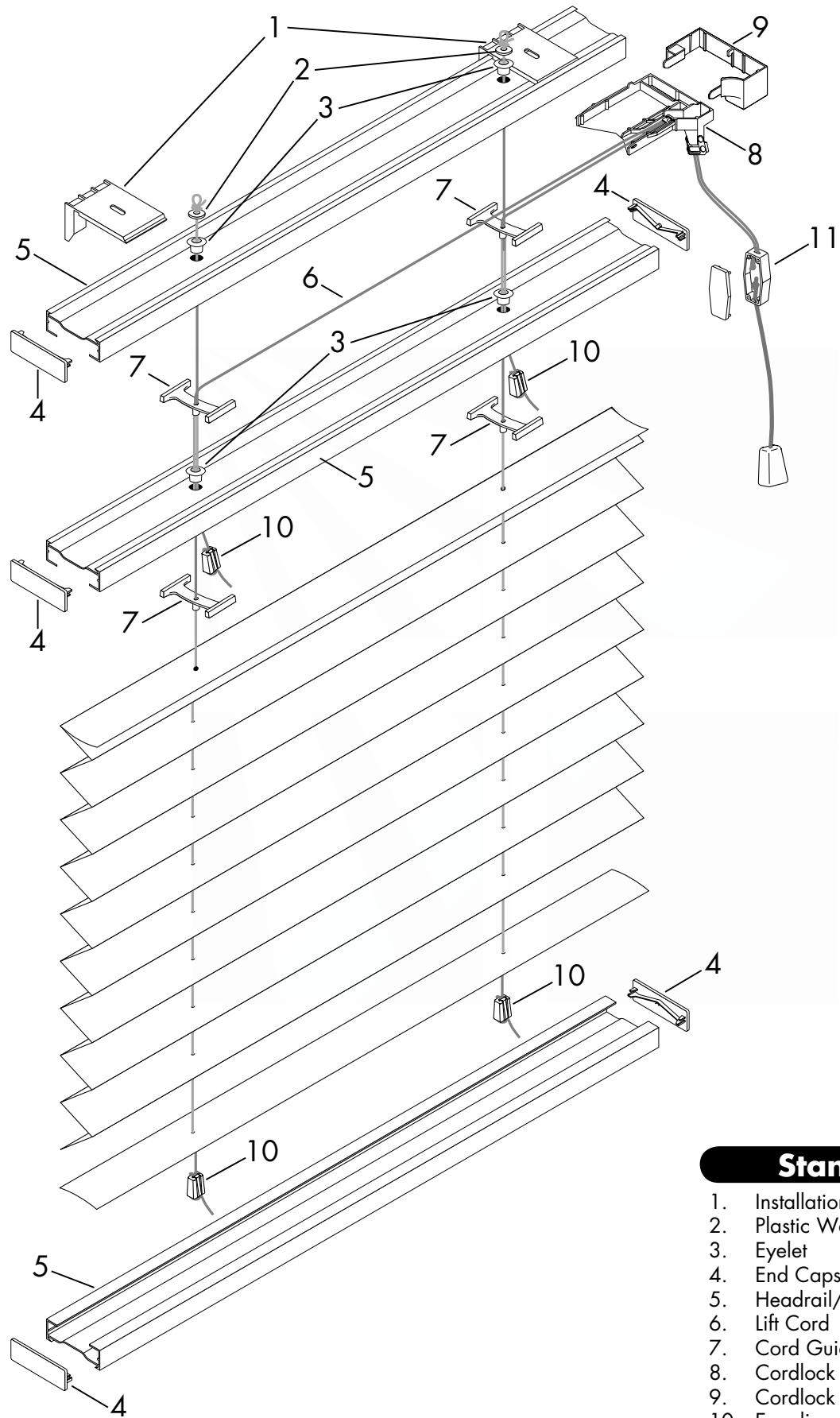
888105	Bottom Rail Label
PC557998	Child Safety Kit
555066	Equalizer
2930220000	Equalizer
2930561000	Equalizer Housing
2930080000	Extension Bracket
5007311000	Hold-Down Bracket
PC555033	Hold-Down Screw
888083	Installation Instructions
888106	Patent Label
2930230000	Spacer Block
555065	Tape
888107	Warning Label
PC5550008	Weight

Brilliance® MicroPleat Shades



PC555300	Bottom Rail
PC555315	Bottom Rail End Cap
PC555305	Bottom Rail Filler Strip
888105	Bottom Rail Label
PC557998	Child Safety Kit
PC555310	Cord Guard
PC555307	Cord Lock Body - LH
PC555306	Cord Lock Body - RH
PC555311	Cord Lock Sticker
2930220000	Equalizer
2930561000	Equalizer Housing
PC555305	Headrail Filler Strip
PC555300	Headrail
5007311000	Hold-Down Bracket
PC555033	Hold-Down Screw
PC555322	Installation Bracket
PC555323	Installation Bracket 2
888083	Installation Instructions
2671000xxx	Lift cord
LIT888081	Logo Plate
888106	Patent Label
3671000xxx	Pull cord
2930440885	Universal Cover Tassel
888107	Warning Label
WWC900606	Weight

Brilliance® Top-Down Shades



Standard Parts

1. Installation Brackets
2. Plastic Washer
3. Eyelet
4. End Caps
5. Headrail/Bottom Rail
6. Lift Cord
7. Cord Guide
8. Cordlock Body
9. Cordlock Cover
10. Equalizer
11. Universal Tassel

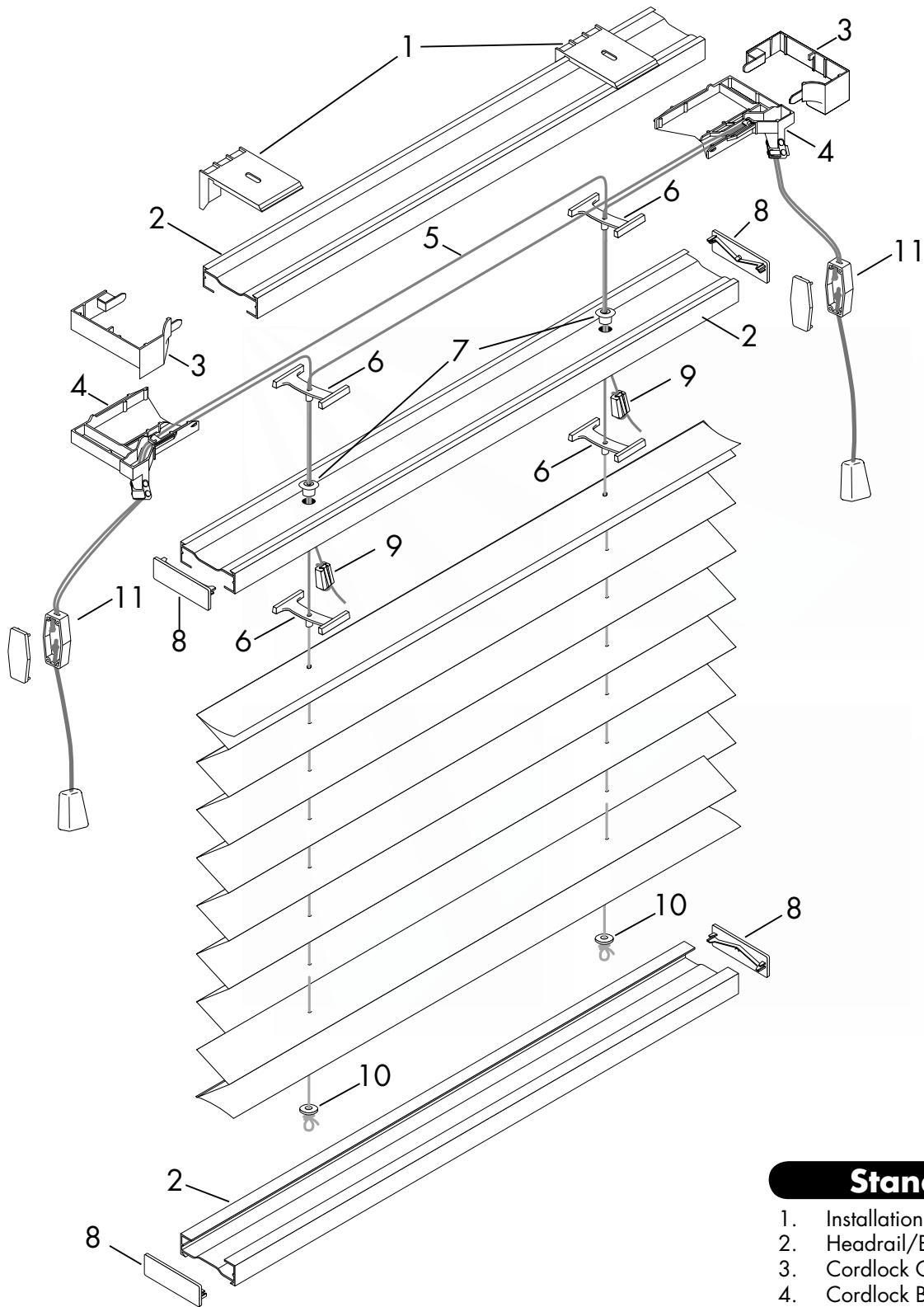
Brilliance® Top-Down Shades

NUMBER	PCN	COMPONENT DESCRIPTION
1.	2950062000	Installation Brackets
	2950071064	
	2950071765	
	2950071785	
	2980033000	
	2980038000	
2.	2930130000	Plastic Washer
3.	559056	Eyelet
4.	557000	End Caps
	2950020xxx	
5.	2950010xxx	Headrail/Bottom Rail
6.	2671000xxx	Lift Cord
7.	3020453000	Cord Guide
8.	556050	Cordlock Body - Left Hand
	556001	Cordlock Body - Right Hand
9.	556051	Cordlock Cover - Left Hand
	2950085000	Cordlock Cover - Left Hand
	556003	Cordlock Cover - Right Hand
	2950075000	Cordlock Cover - Right Hand
10.	555066	Equalizer
	2930220000	Equalizer
	2930561000	Equalizer Housing
11.	2930440885	Universal Tassel

ADDITIONAL COMPONENTS

	888105	Bottom Rail Label
	PC557998	Child Safety Kit
	2930080000	Extension Bracket
	PC555033	Hold-Down Screw
	888083	Installation Instructions
	555004	Installation Screw
	888106	Patent Label
	2930230000	Spacer Block
	555065	Tape
	888107	Warning Label
	PC5550008	Weight

Brilliance® Top-Down/Bottom-Up Shades



Standard Parts

1. Installation Brackets
2. Headrail/Bottom Rail
3. Cordlock Cover
4. Cordlock Body
5. Lift Cord
6. Cord Guide
7. Eyelet
8. End Caps
9. Equalizer
10. Plastic Washer
11. Universal Tassel

Brilliance® Top-Down/Bottom-Up Shades

NUMBER	PCN	COMPONENT DESCRIPTION
1.	2950062000	Installation Brackets
	2950071064	
	2950071765	
	2950071785	
	2980033000	
	2980038000	
2.	2950010xxx	Headrail/Bottom Rail
3.	556051	Cordlock Cover - Left Hand
	2950085000	Cordlock Cover - Left Hand
	556003	Cordlock Cover - Right Hand
	2950075000	Cordlock Cover - Right Hand
4.	556050	Cordlock Body - Left Hand
	556001	Cordlock Body - Right Hand
5.	2671000xxx	Lift Cord
6.	3020453000	Cord Guide
7.	559056	Eyelet
8.	557000	End Caps
	2950020xxx	
9.	555066	Equalizer
	2930220000	Equalizer
	2930561000	Equalizer Housing
10.	2930130000	Plastic Washer
11.	2930440885	Universal Tassel

ADDITIONAL COMPONENTS

	888105	Bottom Rail Label
	PC557998	Child Safety Kit
	2930080000	Extension Bracket
	PC555033	Hold-Down Screw
	888083	Installation Instructions
	555004	Installation Screw
	888106	Patent Label
	2930230000	Spacer Block
	555065	Tape
	888107	Warning Label
	PC5550008	Weight

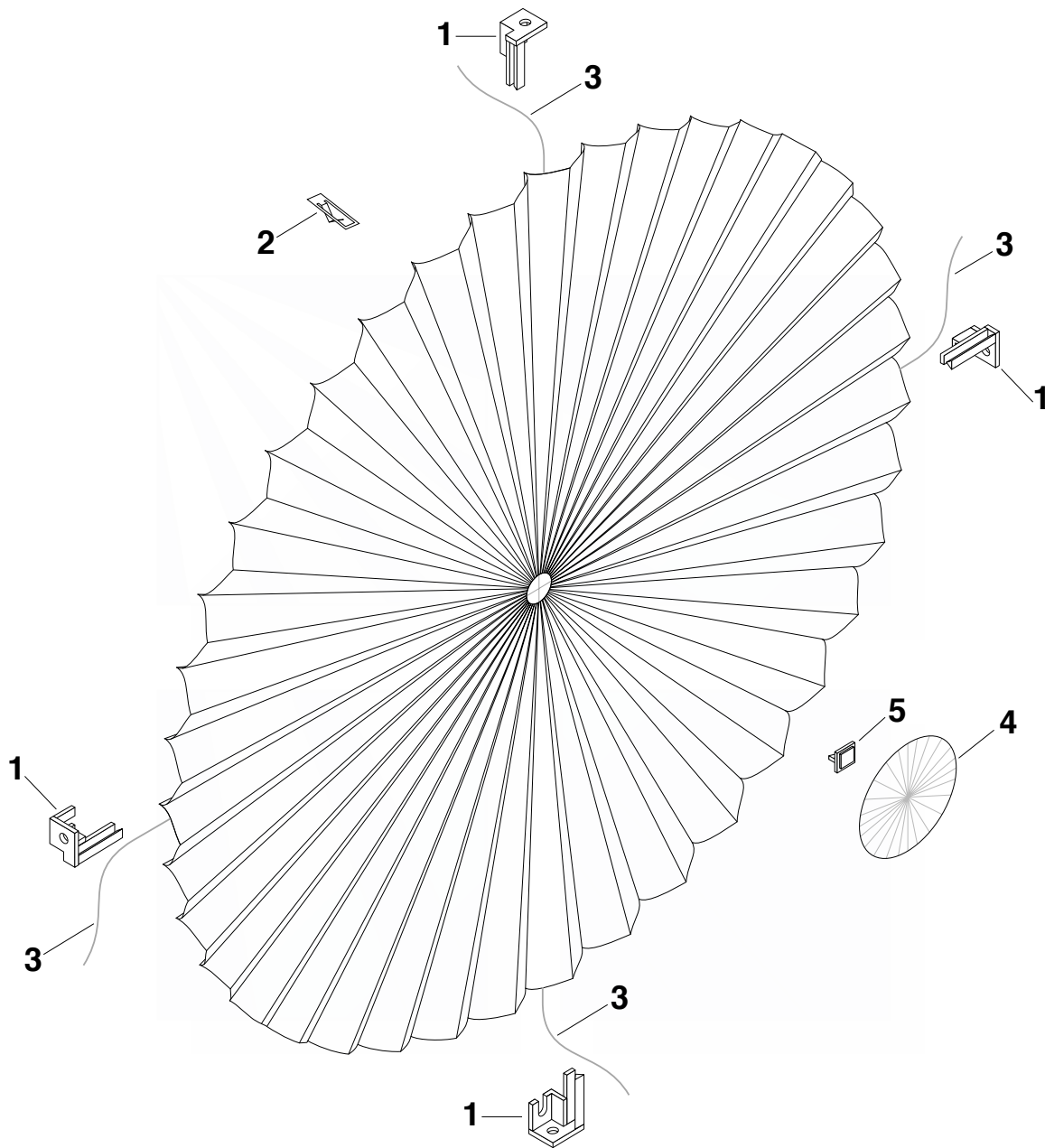
Brilliance® Angle Top Shades

NUMBER	PCN	COMPONENT DESCRIPTION
1.	2950062000	Installation Brackets
	2950071064	
	2950071765	
	2950071785	
	2980033000	
	2980038000	
2.	2950010xxx	Headrail/Bottom Rail
3.	557000	End Caps
	2950020xxx	
4.	3020453000	Cord Guide
5.	556050	Cordlock Body - Left Hand
	556001	Cordlock Body - Right Hand
6.	556051	Cordlock Cover - Left Hand
	2950085000	Cordlock Cover - Left Hand
	556003	Cordlock Cover - Right Hand
	2950075000	Cordlock Cover - Right Hand
7.	2671000xxx	Lift Cord
8.	559056	Eyelets
9.	555066	Equalizer
	2930220000	Equalizer
	2930561000	Equalizer Housing
10.	2930130000	Plastic Washer
11.	2930440885	Universal Tassel

ADDITIONAL COMPONENTS

	888105	Bottom Rail Label
	PC557998	Child Safety Kit
	2980038000	Extension Bracket
	2930080000	
	PC555033	Hold-Down Screw
	888083	Installation Instructions
	555004	Installation Screw
	888106	Patent Label
	2930230000	Spacer Block
	555065	Tape
	888107	Warning Label

Brilliance® Circle Shades



Standard Parts

- 1. ArchClip
- 2. ArchHook
- 3. Cord
- 4. ArchDisc
- 5. WireSaddle

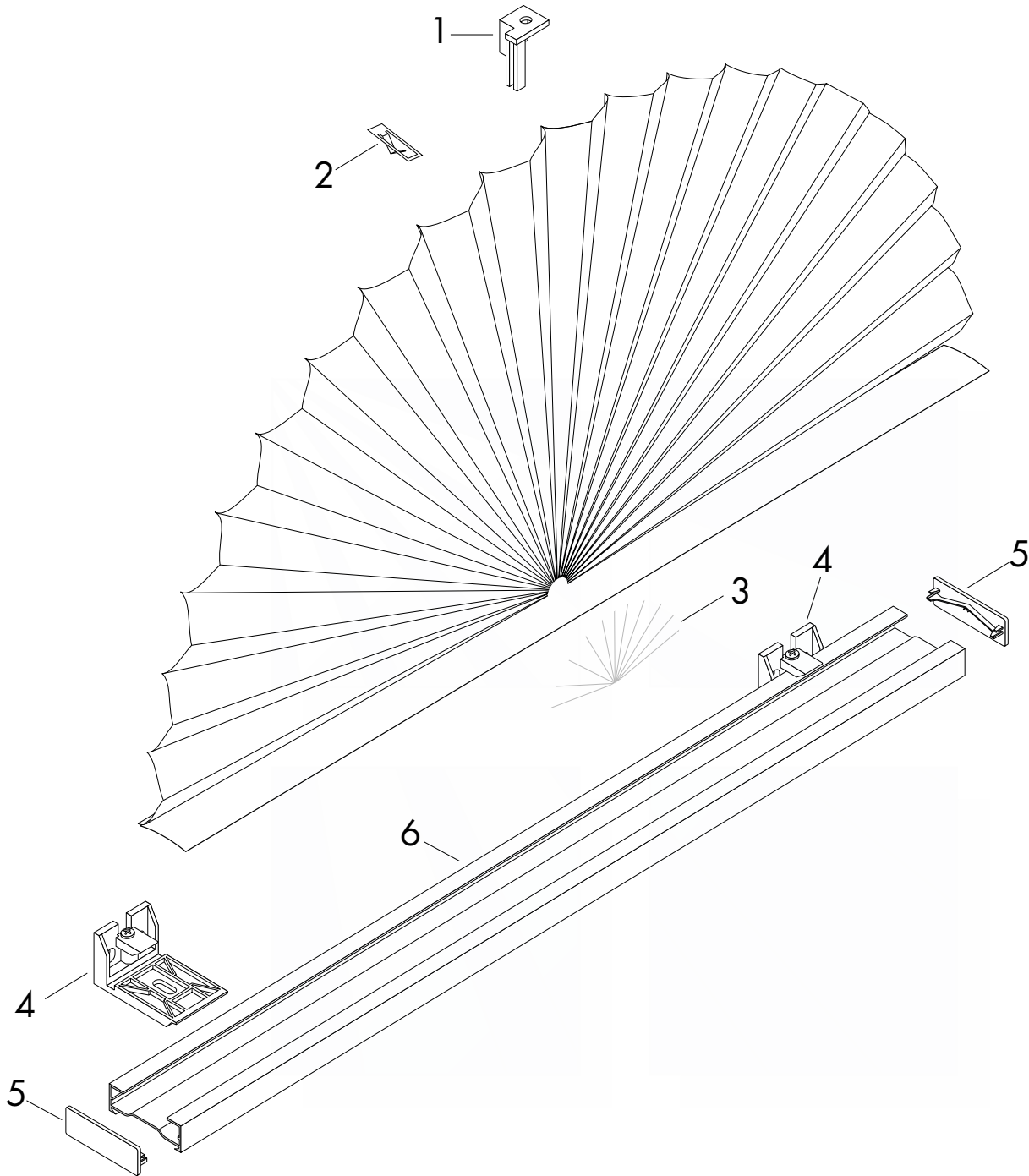
Brilliance® Circle Shades

NUMBER	PCN	COMPONENT DESCRIPTION
1.	2980039000	Arch Clip
2.	2980174000	Arch Hook
3.	5009085000	1.2mm Cord
4.	2980247000	Arch Disc
5.	2981136000	Wire Saddle (optional)

ADDITIONAL COMPONENTS

	888105	Bottom Rail Label
	PC557998	Child Safety Kit
	2980038000 2930080000	Extension Bracket
	PC555033	Hold-Down Screw
	888083	Installation Instructions
	555004	Installation Screw
	888106	Patent Label
	2930230000	Spacer Block
	555065	Tape
	888107	Warning Label

Brilliance® Arch Shades



Standard Parts

- 1. Arch Clip
- 2. Arch Hook
- 3. Arch Disc
- 4. Installation Bracket
- 5. End Caps
- 6. Bottom Rail

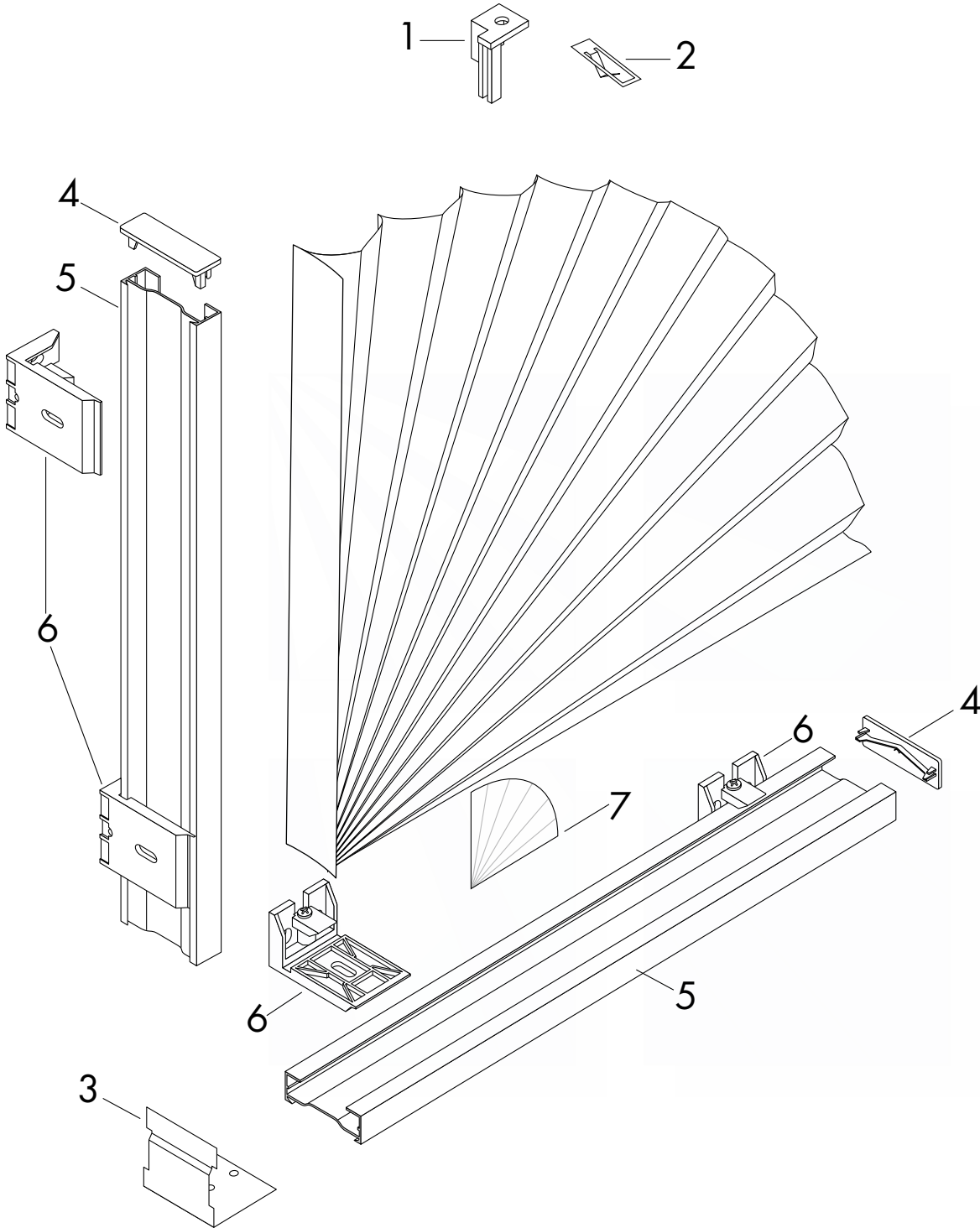
Brilliance® Arch Shades

NUMBER	PCN	COMPONENT DESCRIPTION
1.	2980039000	Arch Clip
2.	2980174000	Arch Hook
3.	2980247000	Arch Disc
4.	2950062000	Installation Brackets
	2950071064	
	2950071765	
	2950071785	
	2980033000	
	2980038000	
5.	557000	End Cap
	2950020xxx	
6.	2950010xxx	Headrail/Bottom Rail

ADDITIONAL COMPONENTS

	2980203000	Arch Hook Screw
	888105	Bottom Rail Label
	2930080000	Extension Bracket
	888083	Installation Instructions
	555004	Installation Screw
	888106	Patent Label
	2930130000	Plastic Washer
	2930230000	Spacer Block
	555065	Tape
	888107	Warning Label

Brilliance® Quarter Circle Shades



Standard Parts

1. Arch Clip
2. Arch Hook
3. Specialty End Mount Bracket
4. End Cap
5. Headrail/Bottom Rail
6. Installation Brackets
7. Arch Disc

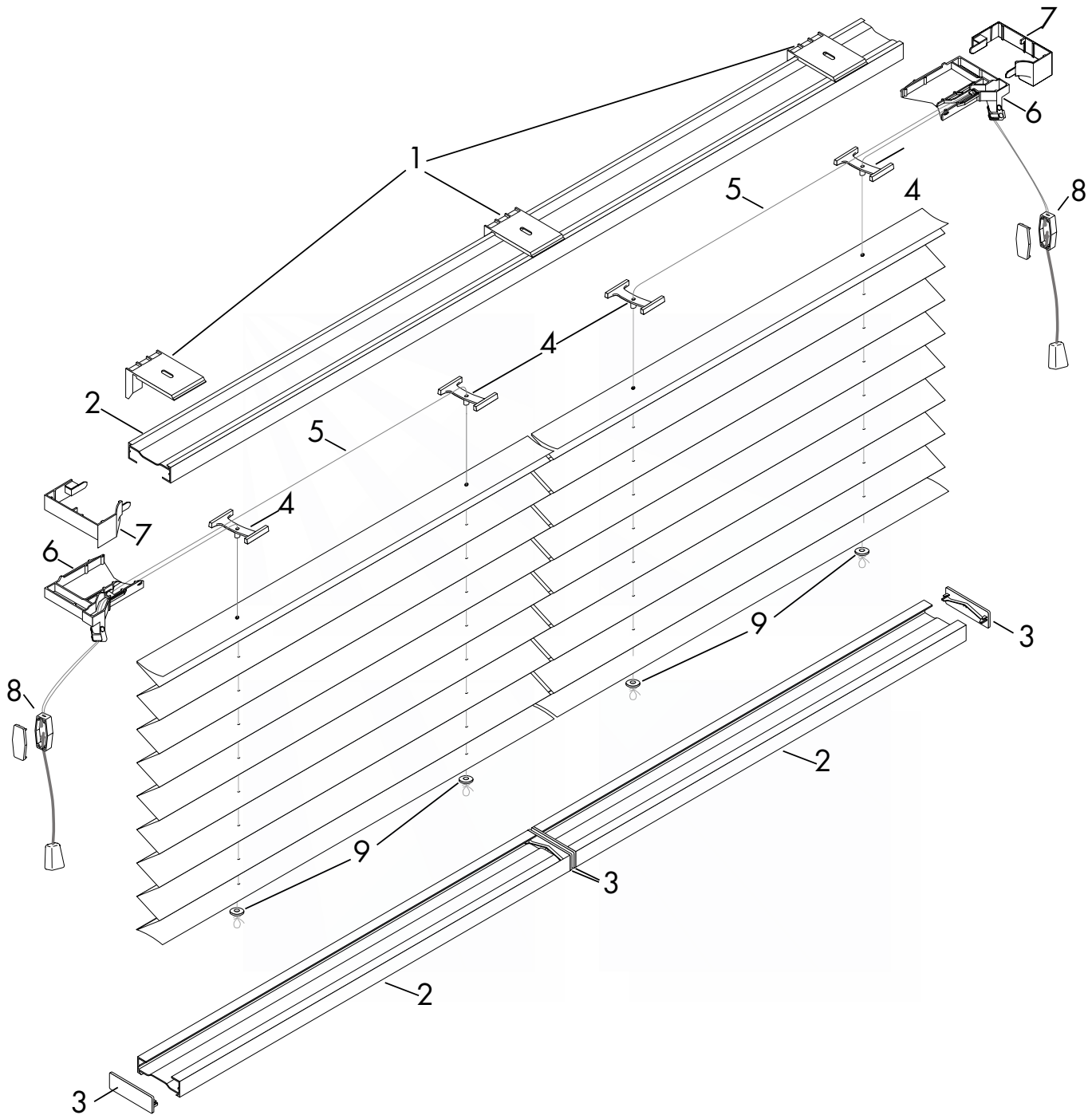
Brilliance® Quarter Circle Shades

NUMBER	PCN	COMPONENT DESCRIPTION
1.	2980039000	Arch Clip
2.	2980174000 2980203000	Arch Hook Arch Hook Screw
3.	2954000000	Specialty End Mount Bracket
4.	557000 2950020xxx	End Cap
5.	2950010xxx	Headrail/Bottom Rail
6.	2950062000 2950071064 2950071765 2950071785 2980033000 2980038000	Installation Brackets
7.	2980247000	Arch Disc

ADDITIONAL COMPONENTS

888105	Bottom Rail Label
2930080000	Extension Bracket
888083	Installation Instructions
555004	Installation Screw
888106	Patent Label
2930130000	Plastic Washer
2930230000	Spacer Block
555065	Tape
888107	Warning Label

Brilliance® Two-on-One Shades



Standard Parts

1. Installation Brackets
2. Headrail/Bottom Rail
3. End Caps
4. Cord Guide
5. Lift Cord
6. Cordlock Body
7. Cordlock Cover
8. Universal Tassel
9. Plastic Washers

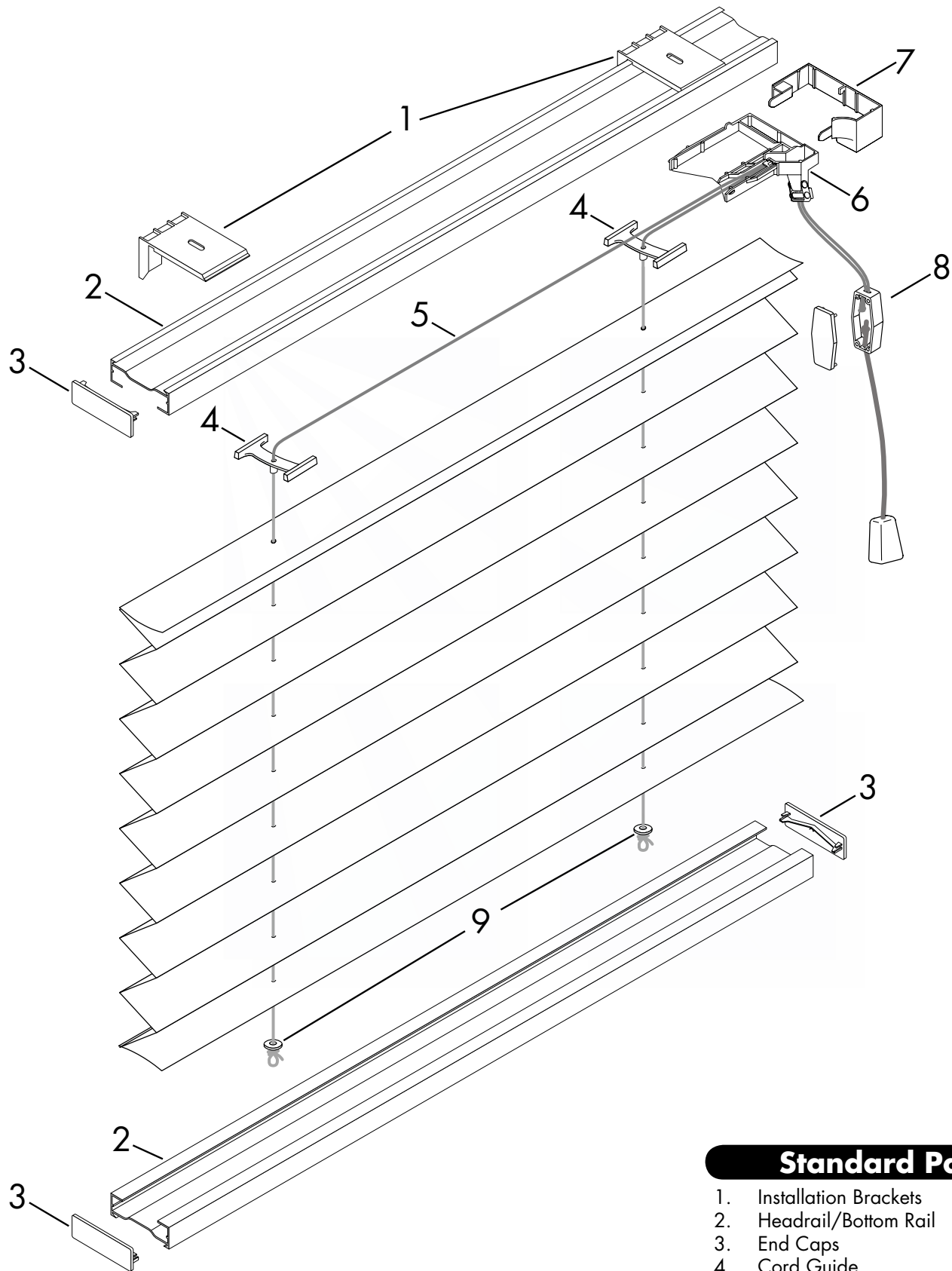
Brilliance® Two-on-One Shades

NUMBER	PCN	COMPONENT DESCRIPTION
1.	2950062000	Installation Brackets
	2950071064	
	2950071765	
	2950071785	
	2980033000	
	2980038000	
2.	557999C	Headrail/Bottom Rail
	2950010xxx	
3.	557000	End Cap
	2950020xxx	
4.	558000	Cord Guide
5.	2671000xxx	Lift Cord
6.	2950068000	Cordlock Body - Left Hand
	2950067000	Cordlock Body - Right Hand
7.	556051	Cordlock Cover - Left Hand
	2950085000	Cordlock Cover - Left Hand
	556003	Cordlock Cover - Right Hand
	2950075000	Cordlock Cover - Right Hand
8.	2930440885	Universal Tassel
9.	2930130000	Plastic Washer

ADDITIONAL COMPONENTS

	888105	Bottom Rail Label
	XSB101A72P	Bottom Fabric Backing
	XTW101A60P	Bottom Fabric Backing
	PC557998	Child Safety Kit
	2930200000	Cord Cleat
	555096	Equalizer
	2930220000	Equalizer
	2930561000	Equalizer Housing
	444956	Extension Bracket
	2950010xxx	Headrail
	5007311000	Hold-Down Bracket
	PC555033	Hold-Down Screw
	888083	Installation Instruction
	555004	Installation Screw
	888106	Patent Label
	555001	Spacer Block
	555065	Tape
	888107	Warning Label
	PC5550008	Weight

Brilliance® Standard Shades



Standard Parts

1. Installation Brackets
2. Headrail/Bottom Rail
3. End Caps
4. Cord Guide
5. Lift Cord
6. Cordlock Body
7. Cordlock Cover
8. Universal Tassel
9. Plastic Washers

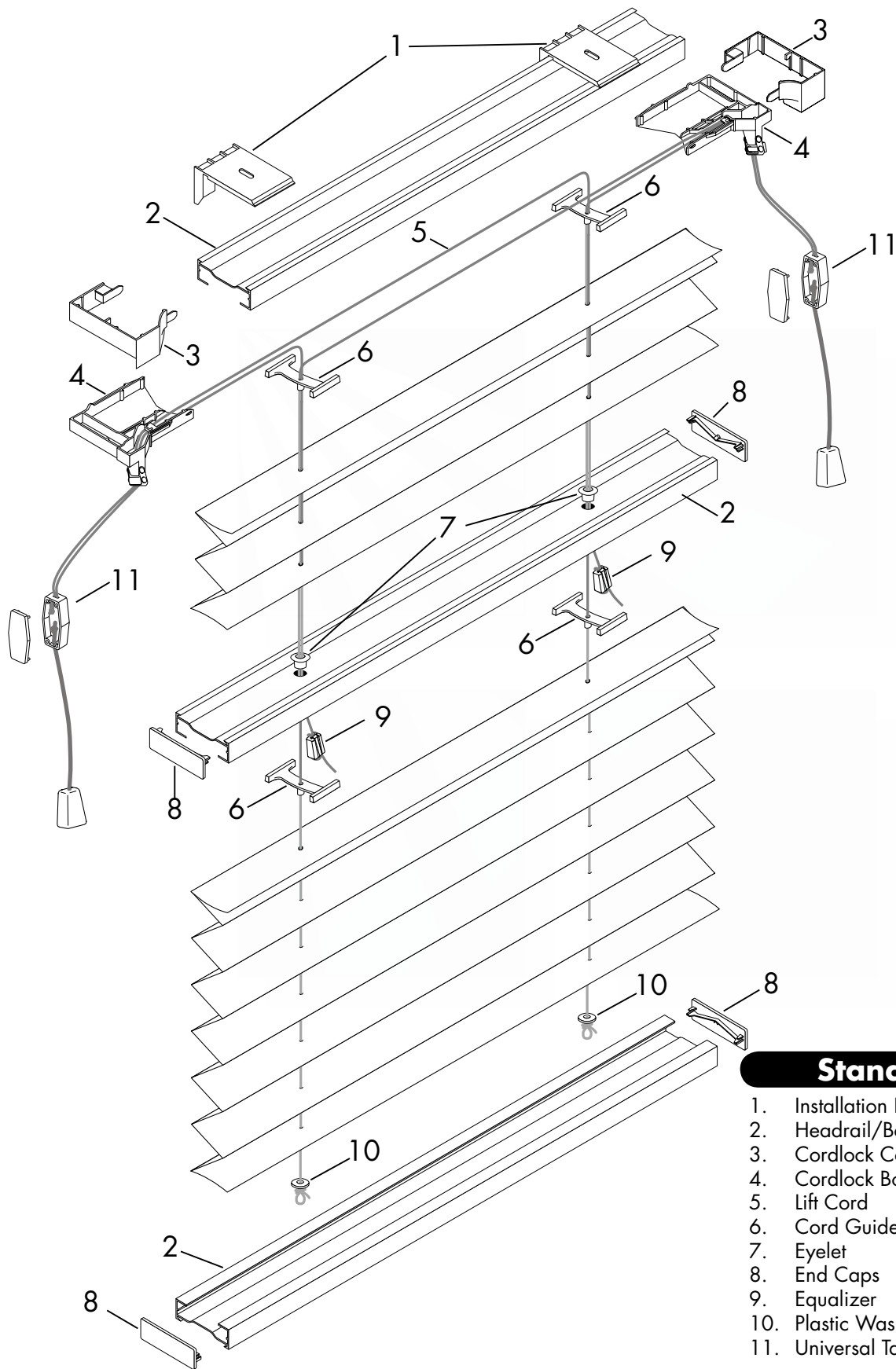
Brilliance® Standard Shades

NUMBER	PCN	COMPONENT DESCRIPTION
1.	2950062000	Installation Brackets
	2950071064	
	2950071765	
	2950071785	
	2980033000	
	2980038000	
2.	557999C	Headrail/Bottom Rail
	2950010xxx	
3.	557000	End Cap
	2950020xxx	
4.	558000	Cord Guide
5.	2671000xxx	Lift Cord
6.	2950068000	Cordlock Body - Left Hand
	2950067000	Cordlock Body - Right Hand
7.	556051	Cordlock Cover - Left Hand
	2950085000	Cordlock Cover - Left Hand
	556003	Cordlock Cover - Right Hand
	2950075000	Cordlock Cover - Right Hand
8.	2930440885	Universal Tassel
9.	2930130000	Plastic Washer

ADDITIONAL COMPONENTS

	888105	Bottom Rail Label
	XSB101A72P	Bottom Fabric Backing
	XTW101A60P	Bottom Fabric Backing
	PC557998	Child Safety Kit
	2930200000	Cord Cleat
	555096	Equalizer
	2930220000	Equalizer
	2930561000	Equalizer Housing
	444956	Extension Bracket
	2950010xxx	Headrail
	5007311000	Hold-Down Bracket
	PC555033	Hold-Down Screw
	888083	Installation Instructions
	555004	Installation Screw
	888106	Patent Label
	555001	Spacer Block
	555065	Tape
	888107	Warning Label
	PC5550008	Weight

Brilliance® Privacy Shades



Standard Parts

1. Installation Brackets
2. Headrail/Bottom Rail
3. Cordlock Cover
4. Cordlock Body
5. Lift Cord
6. Cord Guide
7. Eyelet
8. End Caps
9. Equalizer
10. Plastic Washer
11. Universal Tassel

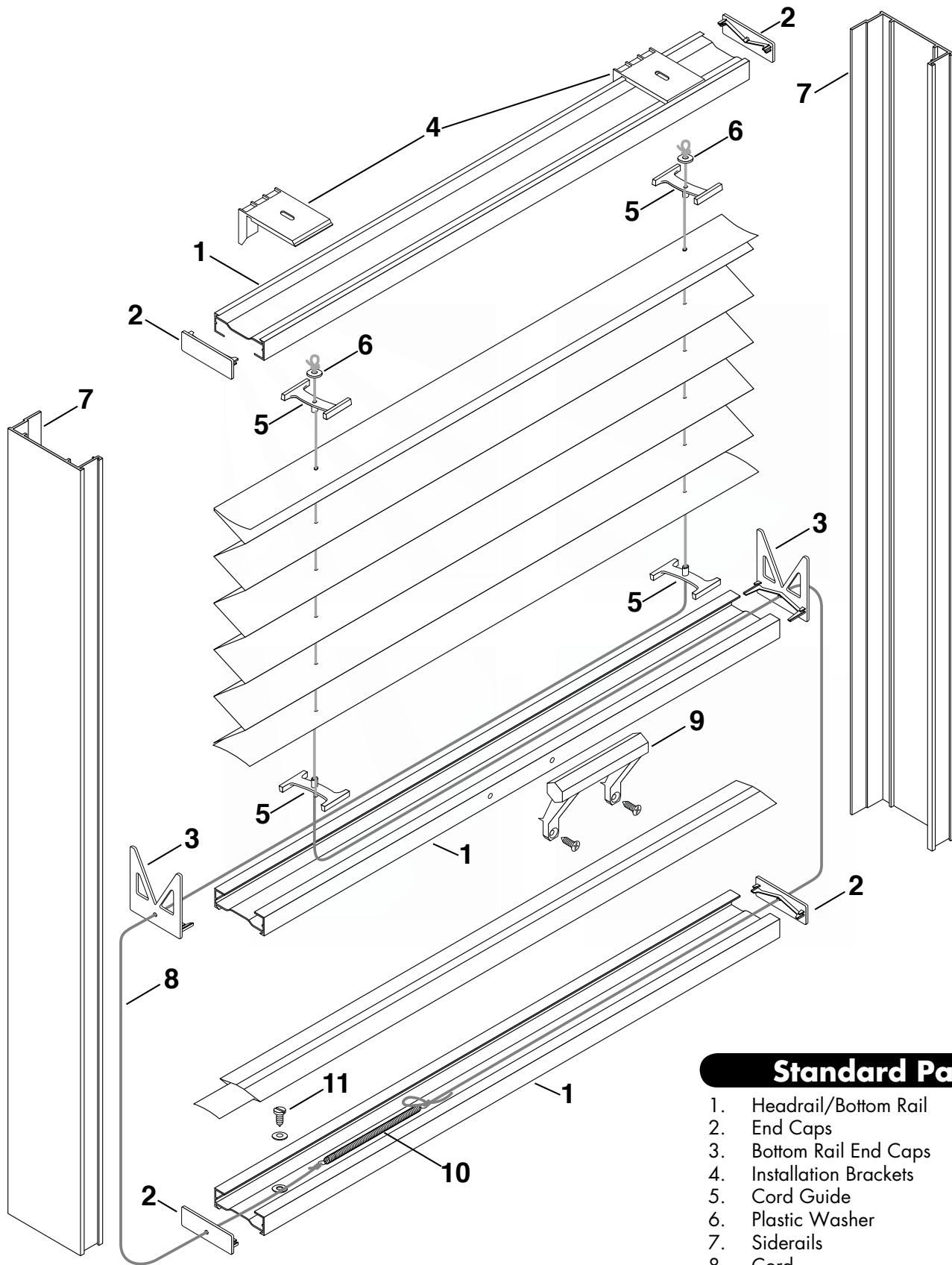
Brilliance® Privacy Shades

NUMBER	PCN	COMPONENT DESCRIPTION
1.	2950062000	Installation Brackets
	2950071064	
	2950071765	
	2950071785	
	2980033000	
	2980038000	
2.	2950010xxx	Headrail/Bottom Rail
3.	556051	Cordlock Cover - Left Hand
	2950085000	Cordlock Cover - Left Hand
	556003	Cordlock Cover - Right Hand
	2950075000	Cordlock Cover - Right Hand
4.	556050	Cordlock Body - Left Hand
	556001	Cordlock Body - Right Hand
5.	2671000xxx	Lift Cord
6.	3020453000	Cord Guide
7.	559056	Eyelet
8.	557000	End Caps
	2950020xxx	
9.	555066	Equalizer
	2930220000	Equalizer
	2930561000	Equalizer Housing
10.	2930130000	Plastic Washer
11.	2930440885	Universal Cover Tassel

ADDITIONAL COMPONENTS

	888105	Bottom Rail Label
	PC557998	Child Safety Kit
	2930080000	Extension Bracket
	PC555033	Hold-Down Screw
	888083	Installation Instructions
	555004	Installation Screw
	888106	Patent Label
	2930230000	Spacer Block
	555065	Tape
	888107	Warning Label
	PC5550008	Weight

Brilliance® Skylight Shades



Standard Parts

1. Headrail/Bottom Rail
2. End Caps
3. Bottom Rail End Caps
4. Installation Brackets
5. Cord Guide
6. Plastic Washer
7. Siderails
8. Cord
9. Handle
10. Spring
11. Cord Clamp Screw

Brilliance® Skylight Shades

NUMBER	PCN	COMPONENT DESCRIPTION
1.	2950010xxx	Headrail/Bottom Rail
2.	557000 2950020xxx	Headrail End Cap Headrail End Cap
3.	2980045000	Bottom Rail End Cap
4.	2950062000 2950071064 2950071765 2950071785 2980033000 2980038000	Installation Brackets
5.	3020453000	Cord Guide
6.	2930130000	Plastic Washer
7.	2980041xxx	Siderail
8.	2671000xxx	Cord
9.	2980048xxx	Handle
10.	2980035000	Spring
11.	2980044000	Cord Clamp Screw

ADDITIONAL COMPONENTS

	888105	Bottom Rail Label
	2930080000	Extension Bracket
	559056	Eyelet
	888083	Installation Instructions
	555004	Installation Screw
	888106	Patent Label
	2995840000	Skylight Pole
	555065	Tape
	888107	Warning Label
	2980043000	Washer