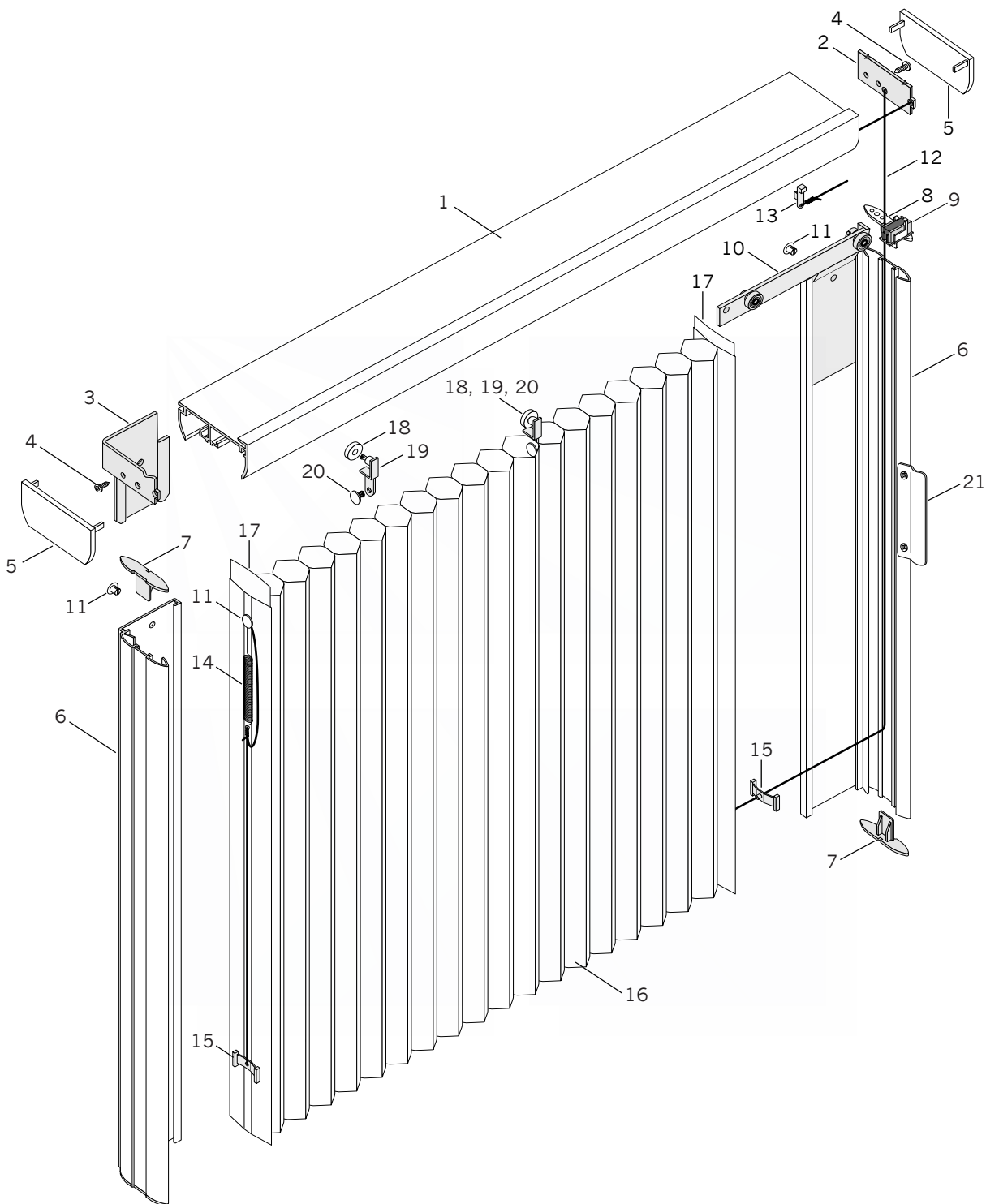


# Applause® Vertiglide™ Side Stack



## Standard Parts

- |                            |                                  |                                |                             |
|----------------------------|----------------------------------|--------------------------------|-----------------------------|
| 1. Vertiglide™ Top Rail    | 7. Vertical Rail End Cap         | 12. Cord                       | 16. Fabric                  |
| 2. Top Rail End Plate      | 8. Cord Guide End Cap            | 13. Vertiglide™ Cord Tensioner | 17. Filler Strip            |
| 3. Stationary Rail Bracket | 9. Magnet Assembly               | 14. Vertiglide™ Spring         | 18. Fabric Carrier Bearing  |
| 4. End Plate Screw         | 10. Moving Rail Bracket Assembly | 15. Cord Guide                 | 19. Fabric Carrier          |
| 5. Top Rail End Cap        | 11. Rail Hanger Snap Pin         |                                | 20. Fabric Carrier Snap Pin |
| 6. Vertical Rail           |                                  |                                | 21. Handle with Screws      |

# Applause® Vertiglide™ Side Stack

| <b>No.</b> | <b>PCN</b> | <b>Description</b>              |
|------------|------------|---------------------------------|
| 1.         | 2980158785 | Vertiglide™ Top Rail            |
| 2.         | 2980111000 | Top Rail End Plate              |
| 3.         | 2980103000 | Stationary Rail Bracket LH      |
|            | 2980104000 | Stationary Rail Bracket RH      |
| 4.         | 2980116000 | End Plate Screw                 |
| 5.         | 2980112785 | Top Rail End Cap                |
| 6.         | 2980102785 | Vertical Rail                   |
| 7.         | 2980113000 | Vertical Rail End Cap           |
| 8.         | 2980146000 | Cord Guide End Cap              |
| 9.         | 2980128000 | Magnet Assembly                 |
| 10.        | 2980311000 | Moving Rail Bracket Assembly LH |
|            | 2980312000 | Moving Rail Bracket Assembly RH |
| 11.        | 2980114000 | Rail Hanger Snap Pin            |
| 12.        | 5009085959 | 1.2 mm Cord                     |
| 13.        | 2980109000 | Vertiglide™ Cord Tensioner      |
| 14.        | 2980115000 | Vertiglide™ Spring              |
| 15.        | 2950100000 | Cord Guide                      |
| 16.        | N/A        | Fabric                          |
| 17.        | 2974000000 | Filler Strip                    |
| 18.        | 2980106000 | Fabric Carrier Bearing          |
| 19.        | 2980107000 | Fabric Carrier                  |
| 20.        | 2980108000 | Fabric Carrier Snap Pin         |
| 21.        | 2980110785 | Handle with Screws              |

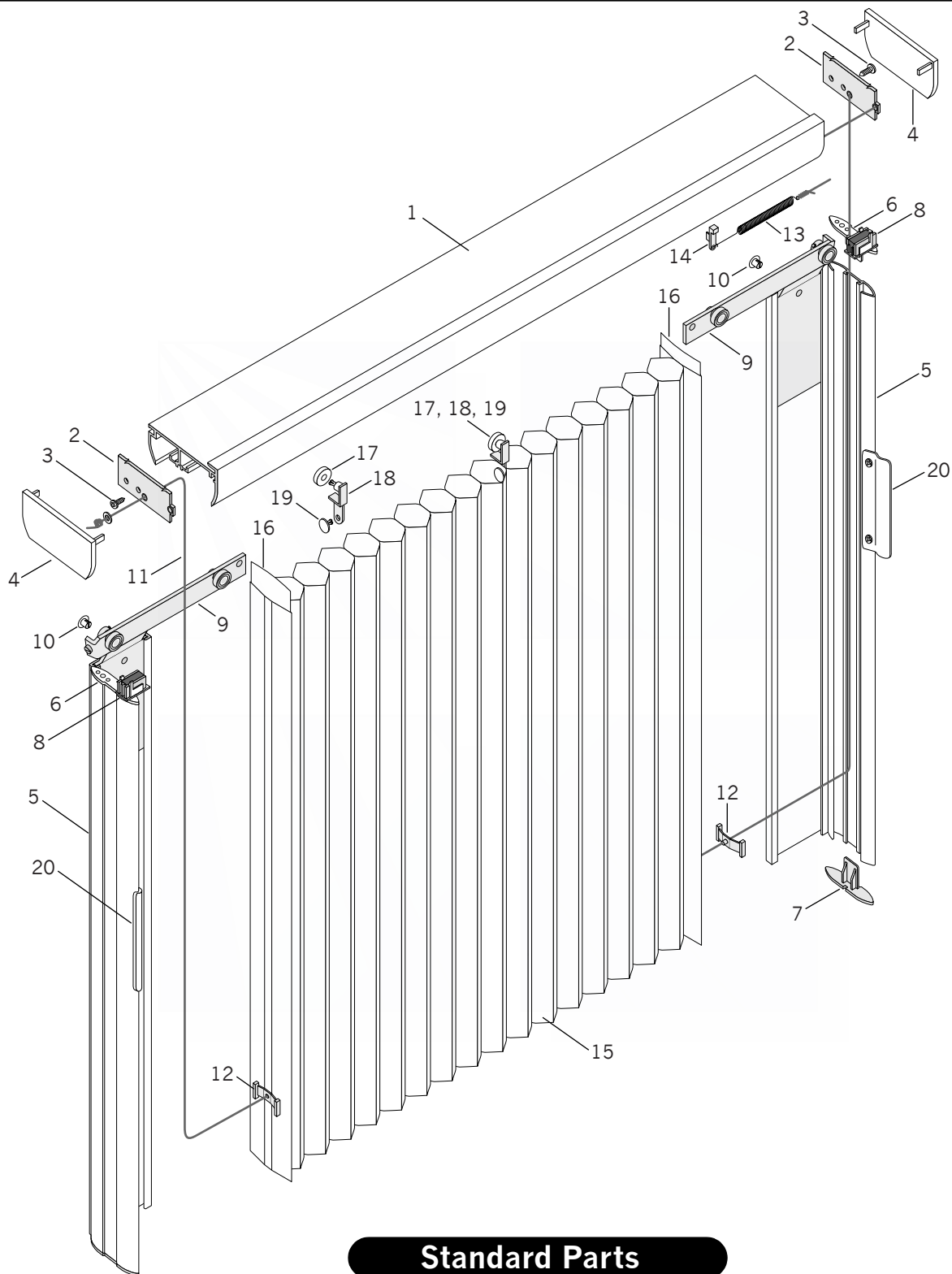
## **Additional Hardware:**

**(For pictures & specifics, see Applause® Specialty Hardware Systems Additional Hardware)**

|            |  |
|------------|--|
| 2980127000 | Vertiglide™ Metal Installation Bracket   |
| 2980126000 | Vertiglide™ Plastic Installation Bracket |
| 2980105000 | Vertiglide™ Stationary Rail Bracket      |
| 2980297000 | Vertiglide™ Inside Mount Adaptor         |
| 2980148000 | Vertiglide™ Spacer Block                 |
| 2930340000 | Extension Bracket                        |

xxx = 3-digit color code

# Applause® Vertiglide™ Center Stack



## Standard Parts

- |                         |                          |                                |                                    |
|-------------------------|--------------------------|--------------------------------|------------------------------------|
| 1. Vertiglide™ Top Rail | 7. Vertical Rail End Cap | 12. Cord Guide                 | 17. Fabric Carrier Bearing         |
| 2. Top Rail End Plate   | 8. Magnet Assembly       | 13. Vertiglide™ Spring         | 18. Fabric Carrier                 |
| 3. End Plate Screw      | 9. Moving Rail Bracket   | 14. Vertiglide™ Cord Tensioner | 19. Fabric Carrier Snap Pin        |
| 4. Top Rail End Cap     | 10. Rail Hanger Snap Pin | 15. Fabric                     | 20. Vertiglide™ Handle with Screws |
| 5. Vertical Rail        | 11. Cord                 | 16. Filler Strip               |                                    |
| 6. Cord Guide End Cap   |                          |                                |                                    |

© 2004 Hunter Douglas Inc. ® Registered trademark of Hunter Douglas Inc.

™ Trademark of Hunter Douglas Inc. Patented in the U.S. and foreign countries. U.S. and foreign patents pending.

Revision: 3/26/04

# Applause® Vertiglide™ Center Stack

| <b>No.</b> | <b>PCN</b> | <b>Description</b>              |
|------------|------------|---------------------------------|
| 1.         | 2980158785 | Vertiglide™ Top Rail            |
| 2.         | 2980111000 | Top Rail End Plate              |
| 3.         | 2980116000 | End Plate Screw                 |
| 4.         | 2980112785 | Top Rail End Cap                |
| 5.         | 2980102785 | Vertical Rail                   |
| 6.         | 2980146000 | Cord Guide End Cap              |
| 7.         | 2980113000 | Vertical Rail End Cap           |
| 8.         | 2980128000 | Magnet Assembly                 |
| 9.         | 2980311000 | Moving Rail Bracket Assembly LH |
|            | 2980312000 | Moving Rail Bracket Assembly RH |
| 10.        | 2980114000 | Rail Hanger Snap Pin            |
| 11.        | 5009085959 | 1.2 mm Cord                     |
| 12.        | 2950100000 | Cord Guide                      |
| 13.        | 2980115000 | Vertiglide™ Spring              |
| 14.        | 2980109000 | Vertiglide™ Cord Tensioner      |
| 15.        | N/A        | Fabric                          |
| 16.        | 2974000000 | Filler Strip                    |
| 17.        | 2980106000 | Fabric Carrier Bearing          |
| 18.        | 2980107000 | Fabric Carrier                  |
| 19.        | 2980108000 | Fabric Carrier Snap Pin         |
| 20.        | 2980110785 | Vertiglide™ Handle with Screws  |

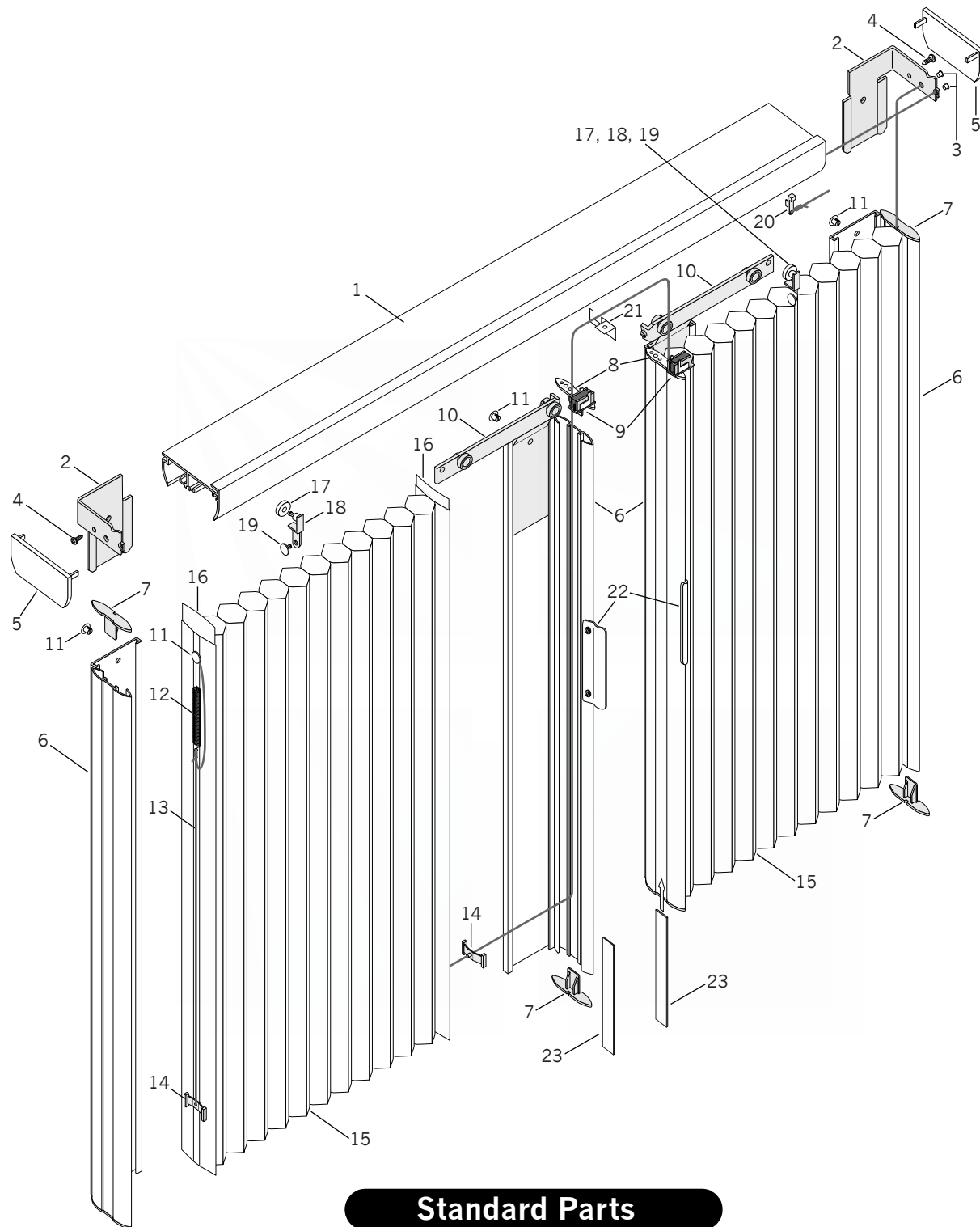
## **Additional Hardware:**

**(For pictures & specifics, see Applause® Specialty Hardware Systems Additional Hardware)**

|            |  |
|------------|--|
| 2980127000 | Vertiglide™ Metal Installation Bracket   |
| 2980126000 | Vertiglide™ Plastic Installation Bracket |
| 2980105000 | Vertiglide™ Stationary Rail Bracket      |
| 2980297000 | Vertiglide™ Inside Mount Adaptor         |
| 2980148000 | Vertiglide™ Spacer Block                 |
| 2930340000 | Extension Bracket                        |

xxx = 3-digit color code

# Applause® Vertiglide™ Center Opening



## Standard Parts

- |                            |                                  |                             |                                    |
|----------------------------|----------------------------------|-----------------------------|------------------------------------|
| 1. Vertiglide™ Top Rail    | 8. Cord Guide End Cap            | 14. Cord Guide              | 20. Vertiglide™ Cord Tensioner     |
| 2. Stationary Rail Bracket | 9. Magnet Assembly               | 15. Fabric                  | 21. Center Pull Plate              |
| 3. Specialty Eyelet        | 10. Moving Rail Bracket Assembly | 16. Filler Strip            | 22. Vertiglide™ Handle with Screws |
| 4. End Plate Screw         | 11. Rail Hanger Snap Pin         | 17. Fabric Carrier Bearing  | 23. White Magnetic Strip           |
| 5. Top Rail End Cap        | 12. Vertiglide™ Spring           | 18. Fabric Carrier          |                                    |
| 6. Vertical Rail           | 13. Cord                         | 19. Fabric Carrier Snap Pin |                                    |
| 7. Vertical Rail End Cap   |                                  |                             |                                    |

# Applause® Vertiglide™ Center Opening

| <b>No.</b> | <b>PCN</b> | <b>Description</b>              |
|------------|------------|---------------------------------|
| 1.         | 2980158785 | Vertiglide™ Top Rail            |
| 2.         | 2980103000 | Stationary Rail Bracket LH      |
|            | 2980104000 | Stationary Rail Bracket RH      |
| 3.         | 2980037000 | Specialty Eyelet                |
| 4.         | 2980116000 | End Plate Screw                 |
| 5.         | 2980112785 | Top Rail End Cap                |
| 6.         | 2980102785 | Vertical Rail                   |
| 7.         | 2980113000 | Vertical Rail End Cap           |
| 8.         | 2980146000 | Cord Guide End Cap              |
| 9.         | 2980128000 | Magnet Assembly                 |
| 10.        | 2980311000 | Moving Rail Bracket Assembly LH |
|            | 2980312000 | Moving Rail Bracket Assembly RH |
| 11.        | 2980114000 | Rail Hanger Snap Pin            |
| 12.        | 2980115000 | Vertiglide™ Spring              |
| 13.        | 5009085959 | 1.2 mm Cord                     |
| 14.        | 2950100000 | Cord Guide                      |
| 15.        | N/A        | Fabric                          |
| 16.        | 2974000000 | Filler Strip                    |
| 17.        | 2980106000 | Fabric Carrier Bearing          |
| 18.        | 2980107000 | Fabric Carrier                  |
| 19.        | 2980108000 | Fabric Carrier Snap Pin         |
| 20.        | 2980109000 | Vertiglide™ Cord Tensioner      |
| 21.        | 2980132000 | Center Pull Plate               |
| 22.        | 2980110785 | Vertiglide™ Handle with Screws  |
| 23.        | 2990130000 | White Magnetic Strip            |

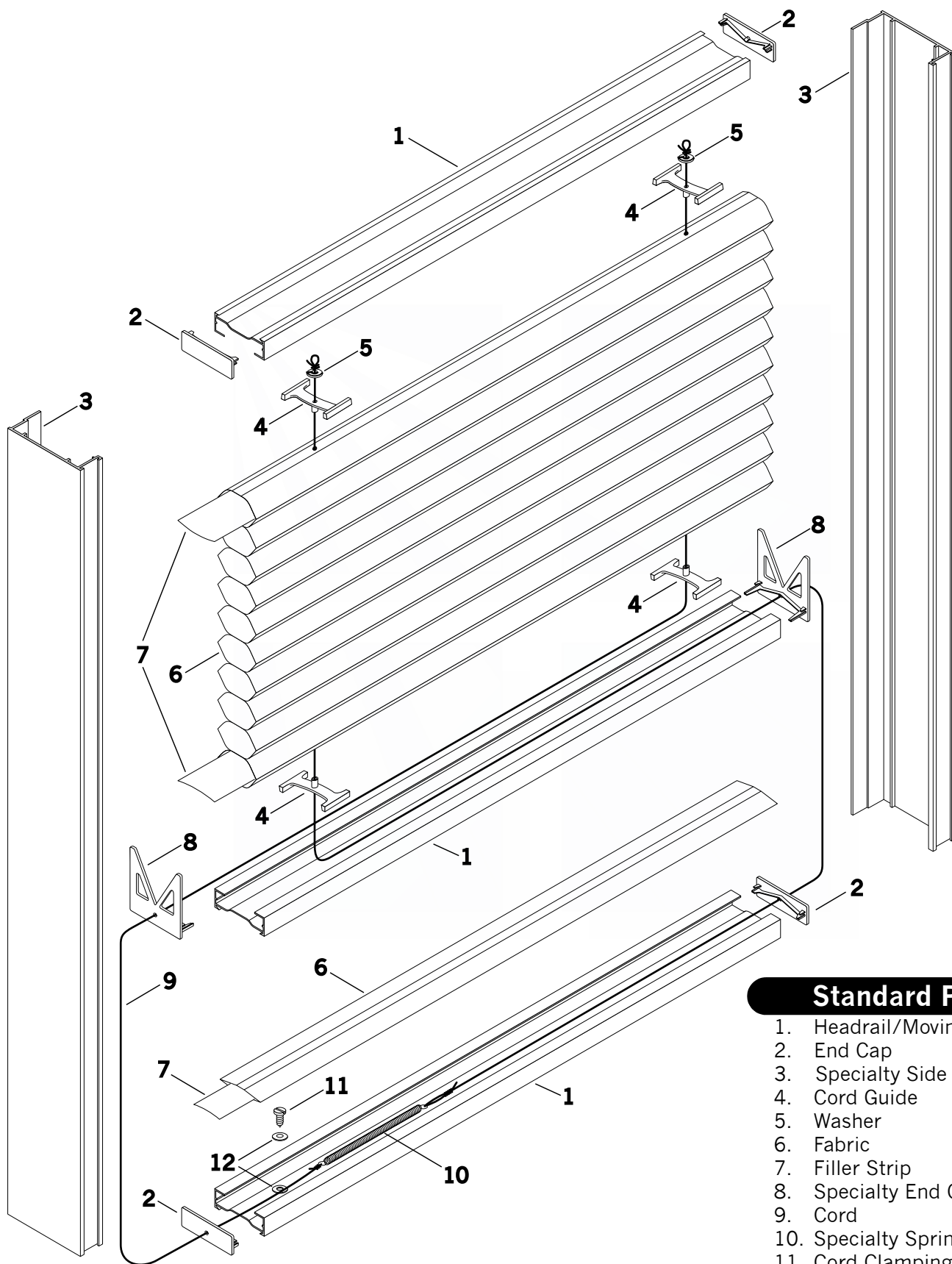
## **Additional Hardware:**

**(For pictures & specifics, see Applause® Specialty Hardware Systems Additional Hardware)**

|            |  |
|------------|--|
| 2980127000 | Vertiglide™ Metal Installation Bracket   |
| 2980126000 | Vertiglide™ Plastic Installation Bracket |
| 2980297000 | Vertiglide™ Inside Mount Adaptor         |
| 2980105000 | Stationary Rail Bottom Bracket           |
| 2980148000 | Vertiglide™ Spacer Block                 |
| 2930340000 | Extension Bracket                        |

xxx = 3-digit color code

# Applause® with Simplicity™



## Standard Parts

1. Headrail/Moving Rail/Anchor Rail
2. End Cap
3. Specialty Side Track
4. Cord Guide
5. Washer
6. Fabric
7. Filler Strip
8. Specialty End Cap
9. Cord
10. Specialty Spring
11. Cord Clamping Screw
12. Cord Clamping Washer

# Applause® with Simplicity™

| <b>No.</b> | <b>PCN</b> | <b>Description</b>                     |
|------------|------------|--|
| 1.         | 2950010785 | 3/8" Headrail/Moving Rail/Anchor Rail  |
|            | 2970010785 | 3/4" Headrail/Moving Rail/Anchor Rail  |
| 2.         | 2950020785 | 3/8" End Cap                           |
|            | 2970020785 | 3/4" End Cap                           |
| 3.         | 2980041785 | 3/8" Specialty Side Track              |
|            | 2980042785 | 3/4" Specialty Side Track              |
| 4.         | 2950100000 | 3/8" Cord Guide                        |
|            | 2970200000 | 3/4" Cord Guide                        |
| 5.         | 2930130000 | Washer                                 |
| 6.         | N/A        | Fabric (3/8", 3/4" & Double Honeycomb) |
| 7.         | 2954000000 | 3/8" Filler Strip                      |
|            | 2974000000 | 3/4" Filler Strip                      |
| 8.         | 2980045000 | 3/8" Specialty End Cap                 |
|            | 2980040000 | 3/4" Specialty End Cap                 |
| 9.         | 5009085959 | 1.2 mm Cord                            |
| 10.        | 2980035000 | Specialty Spring                       |
| 11.        | 2980049000 | Cord Clamping Screw                    |
| 12.        | 2980043000 | Cord Clamping Washer                   |

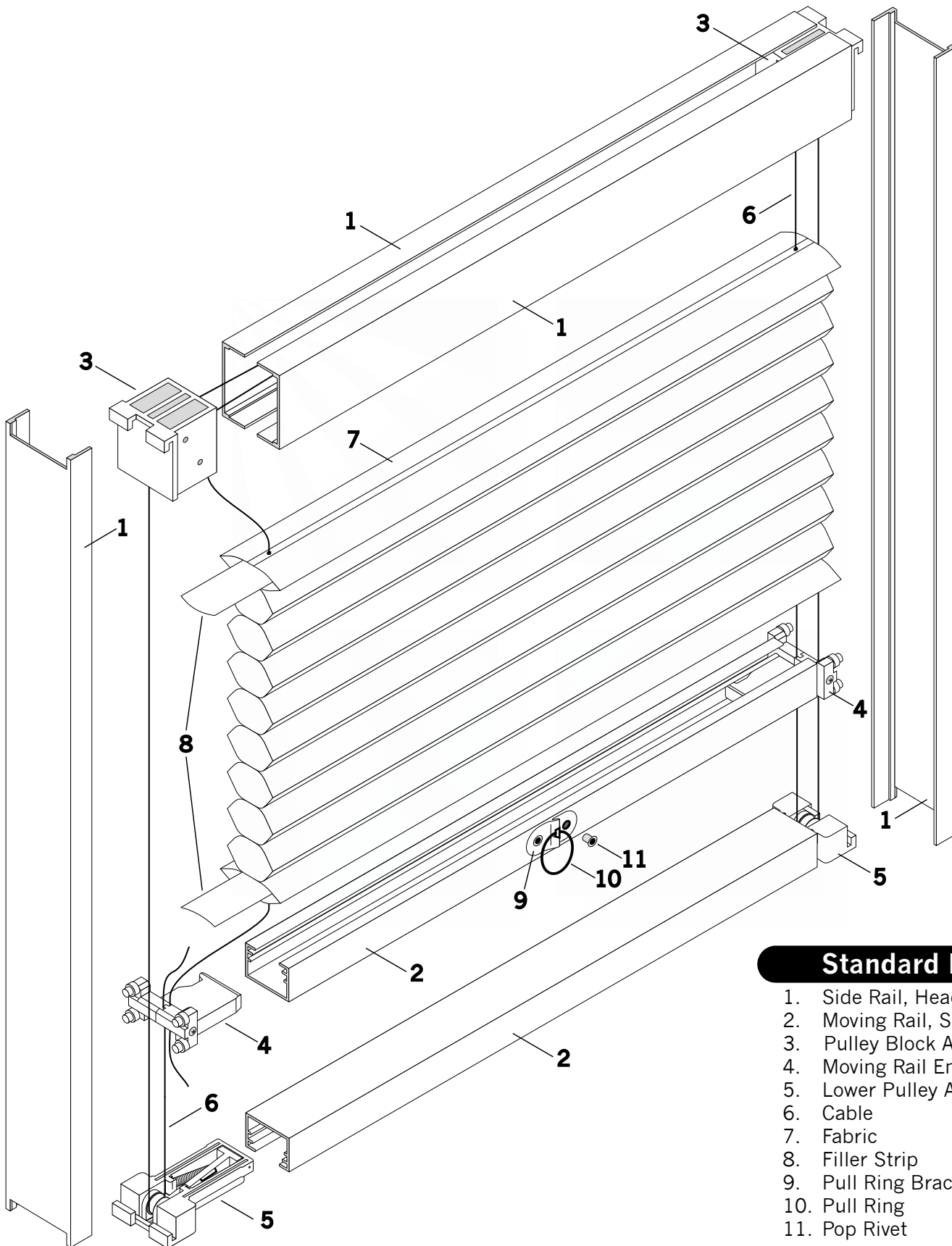
## **Additional Hardware:**

**(For pictures & specifics, see Applause® Specialty Hardware Systems Additional Hardware)**

|            |                                      |
|------------|--------------------------------------|
| 2950062000 | Installation Bracket 3/8"            |
| 2970061000 | Installation Bracket 3/4"            |
| 2980048885 | Specialty Handle                     |
| 2980049000 | Handle Screws                        |
| 2980037000 | Specialty Eyelet (for Support Cord)  |
| N/A        | 1" x 1/16" Aluminum (Rail Stiffener) |

xxx = 3-digit color code

# Applause® with Skyrise®



## Standard Parts

1. Side Rail, Headrail
2. Moving Rail, Sill Rail
3. Pulley Block Assembly
4. Moving Rail End Cap
5. Lower Pulley Assmebly
6. Cable
7. Fabric
8. Filler Strip
9. Pull Ring Bracket
10. Pull Ring
11. Pop Rivet

# Applause® with Skyrise®

| <b>No.</b> | <b>PCN</b> | <b>Description</b>     |
|------------|------------|------------------------|
| 1.         | 2950862785 | Side Rail, Headrail    |
| 2.         | 2950805785 | Moving Rail, Sill Rail |
| 3.         | 2950801000 | Pulley Block Assembly  |
| 4.         | 2951160000 | Moving Rail End Cap RH |
|            | 2951161000 | Moving Rail End Cap LH |
| 5.         | 2950804000 | Lower Pulley Assembly  |
| 6.         | 2950866000 | Cable                  |
| 7.         | N/A        | Fabric (3/8" and 3/4") |
| 8.         | 2954000000 | 3/8" Filler Strip      |
| 9.         | 2950841000 | Pull Ring Bracket      |
| 10.        | 2950864000 | Pull Ring              |
| 11.        | 2950842000 | Pop Rivet              |

### Support Cord Components (Not Shown)

|            |                 |
|------------|-----------------|
| 2950822000 | Support Cord    |
| 2950823000 | Steel Washer    |
| 2950824000 | Cone Spring     |
| 2980037000 | Eyelet          |
| 2950826000 | Plug Fitting    |
| 2950827000 | Thread Fitting  |
| 2951128000 | Support Bracket |
| 2950829000 | Nut (5-40)      |

### Outside Mount Components (Not Shown)

|            |                   |
|------------|-------------------|
| 2950875000 | Side Rail Inserts |
|------------|-------------------|

### Side-to-Side Mount Components (Not Shown)

|            |                     |
|------------|---------------------|
| 2950878000 | Threaded Stand-Offs |
|------------|---------------------|

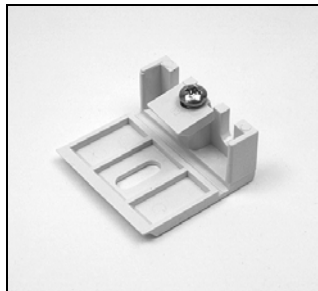
### Additional Hardware:

**(For pictures & specifics, see Applause® Specialty Hardware Systems Additional Hardware)**

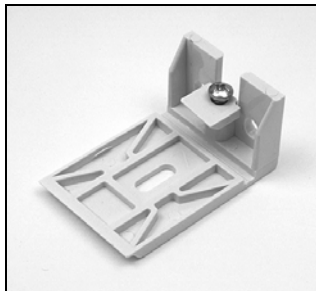
|            |                                  |
|------------|----------------------------------|
| 2950832000 | Skyrise® Installation Bracket    |
| 2950867785 | Skyrise® Rail Seal               |
| 2995840000 | Skyrise® Optional Extension Pole |

xxx = 3-digit color code

# Applause® Specialty Hardware Systems Additional Hardware



Installation Bracket 3/8"  
PCN 2950062000



Installation Bracket 3/4"  
PCN 2970061000



Skyrise® Installation Bracket  
PCN 2950832000



Universal Mounting Bracket  
PCN 2950874000



Vertiglide™ Installation  
Bracket (Metal)  
PCN 2980127000



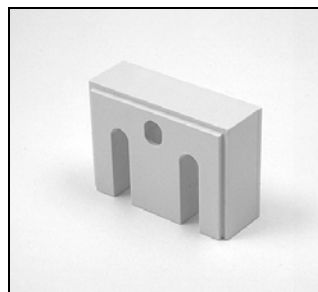
Vertiglide™ Installation  
Bracket (Plastic)  
PCN 2980126000



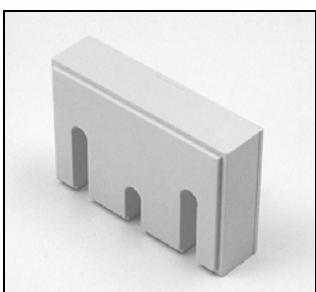
Vertiglide™ Stationary Rail  
Bracket  
PCN 2980105000



Vertiglide™ Inside Mount  
Adaptor  
PCN 2980297000



Spacer Block  
PCN 2930230000



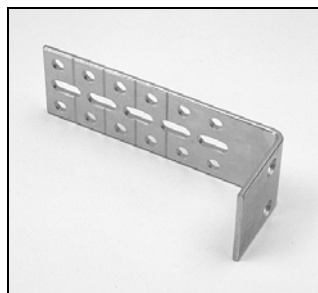
Vertiglide™ Spacer Block  
PCN 2980148000



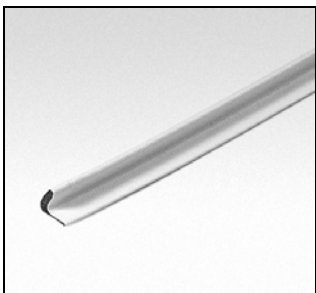
Simplicity™ Handle  
PCN 2980048885



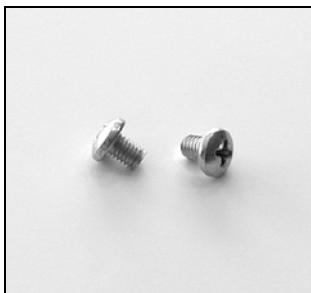
Handle Mounting Screws  
PCN 2980049000



Extension Bracket  
PCN 2930340000



Skyrise® Rail Seal  
PCN 2950867785



Skyrise® Side Rail Screws  
PCN 2950876000



Skyrise® Headrail Screws  
PCN 2950877000

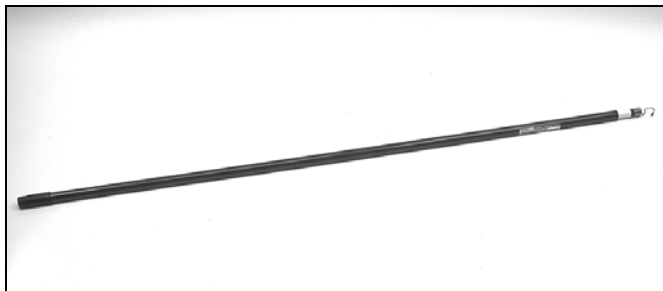
# Applause® Specialty Hardware Systems Additional Hardware



Skyrise® Stand-Off Screws  
PCN 2950879000



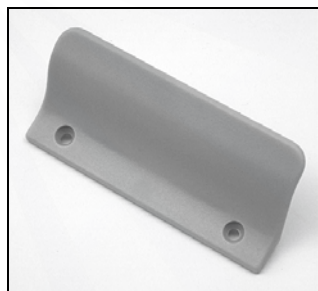
Mounting Screws 6X1.5  
PCN 2980153000



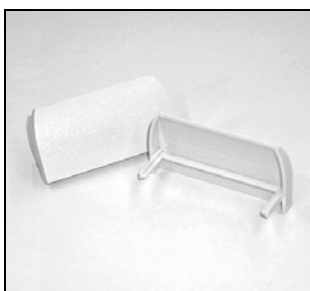
Optional Extension Pole for Simplicity™ and Skyrise®  
PCN 2995840000



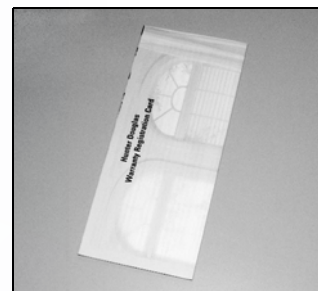
Wall Mount Screws  
PCN 2980326000



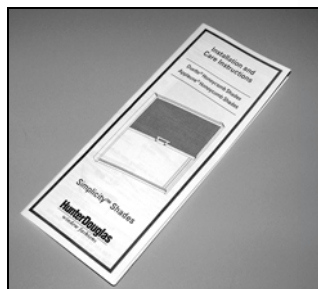
Vertiglide™ Handle with  
Screws  
PCN 2980110785



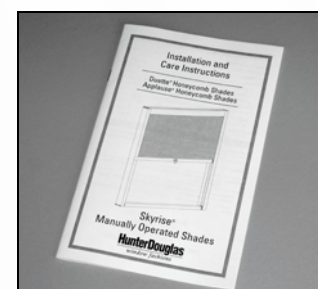
Vertiglide™ Top Rail End Caps  
PCN 2980112785



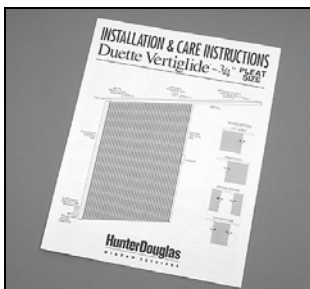
Hunter Douglas Warranty  
Registration Card  
PCN 7107622000



Applause® with Simplicity™  
Installation Instructions  
PCN 5109141000



Applause® with Skyrise®  
Installation Instructions  
PCN 5109056000



Vertiglide™ Installation  
Instructions  
PCN 5101620000