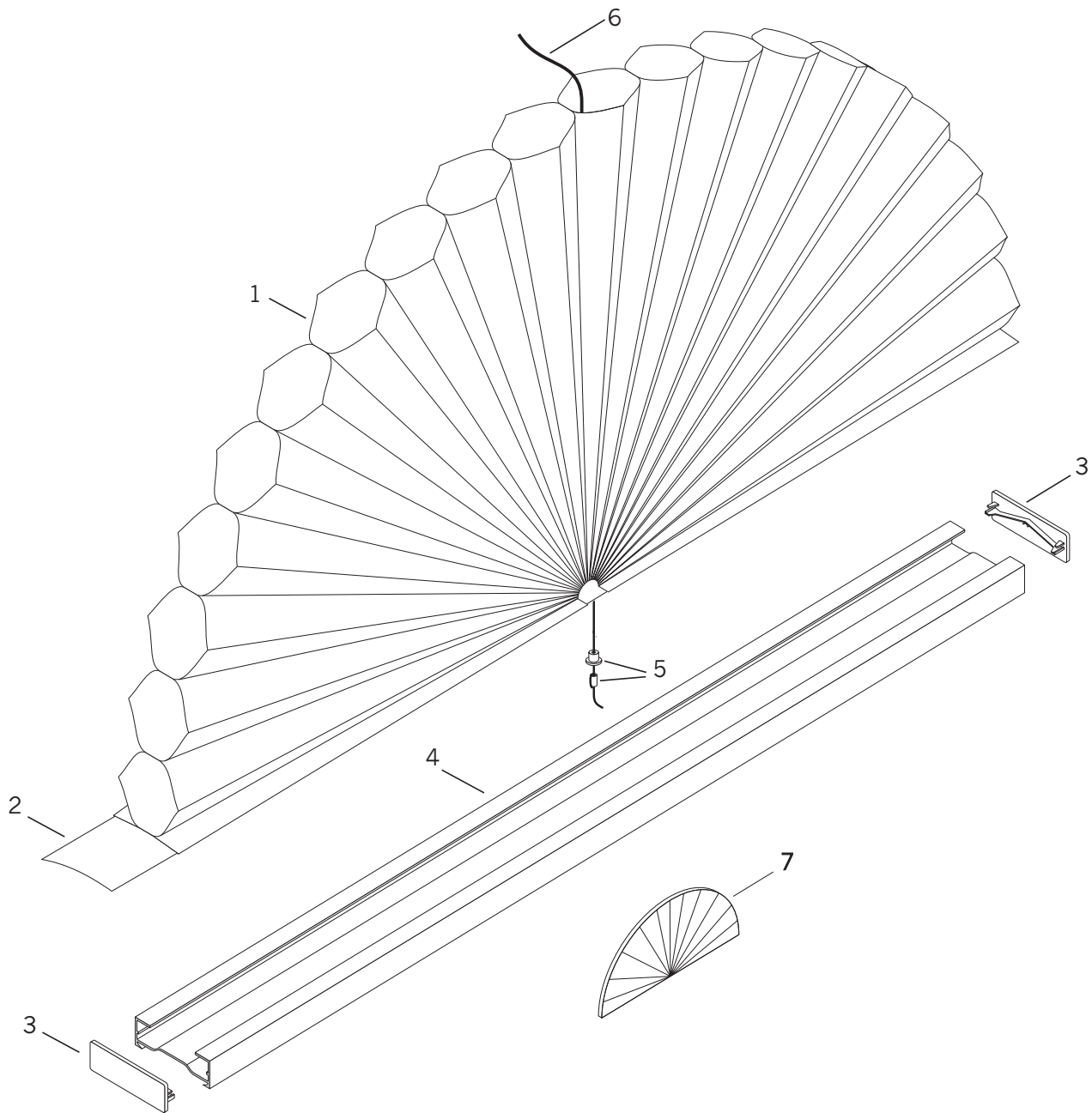


Applause® Arch



Standard Parts

1. Fabric
2. Filler Strip
3. End Cap
4. Headrail
5. Pocket & Ferrule
6. Support Cord
7. Applause® Disc Arch Cover

Applause® Arch

No.	PCN	Description
1.	N/A	Fabric (3/8", 3/4" & Double Honeycomb)
2.	2954000000	Filler Strip (3/8")
	3200090885	Filler Strip (1/2")
	2974000000	Filler Strip (3/4")
3.	2950020xxx	End Cap (3/8")
	2970020xxx	End Cap (3/4" & Double Honeycomb)
4.	2950010xxx	Headrail (3/8")
	2970010xxx	Headrail (3/4" & Double Honeycomb)
5.	3200155xxx	Pocket & Ferrule
6.	5009085000	1.2 mm Support Cord (arches over 48" wide)
7.	2980247000	Applause® Disc Arch Cover

* Double Honeycomb available in perfect arches only

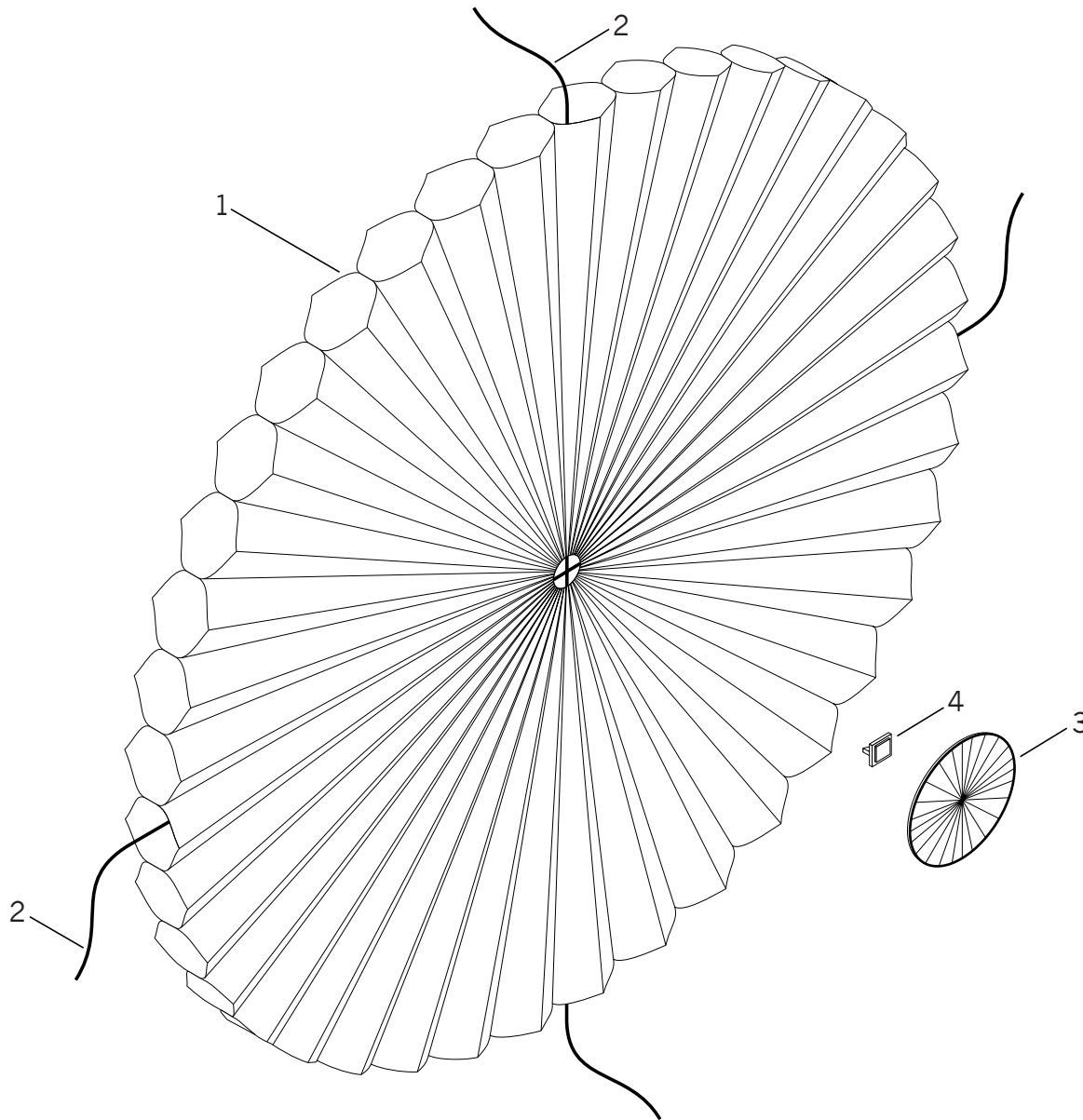
Additional Hardware:

(For pictures & specifics, see Applause® Specialty Shapes Additional Hardware)

2950062000	Installation Bracket (3/8")
2970061000	Installation Bracket (3/4")
2250071XXX	Swivel Bracket (3/8")
2270071XXX	Swivel Bracket (3/4")
2980338000	End Mount Bracket Kit (3/8")
2980350000	End Mount Bracket Kit (3/4")
2980033000	Wall Mount Bracket (3/8")
2980051000	Wall Mount Bracket (3/4")
2980039000	Arch Support Clip
2980174000	Arch Support Hook

xxx = 3-digit color code

Applause® Circle



Standard Parts

1. Fabric
2. Cord
3. Applause® Disc Arch Cover
4. Wire Saddle

Applause® Circle

No.	PCN	Description
1.	N/A	Fabric (3/8" & 3/4")
2.	5009085000	1.2 mm Cord
3.	2980247000	Applause® Disc Arch Cover
4.	2981136000	Wire Saddle

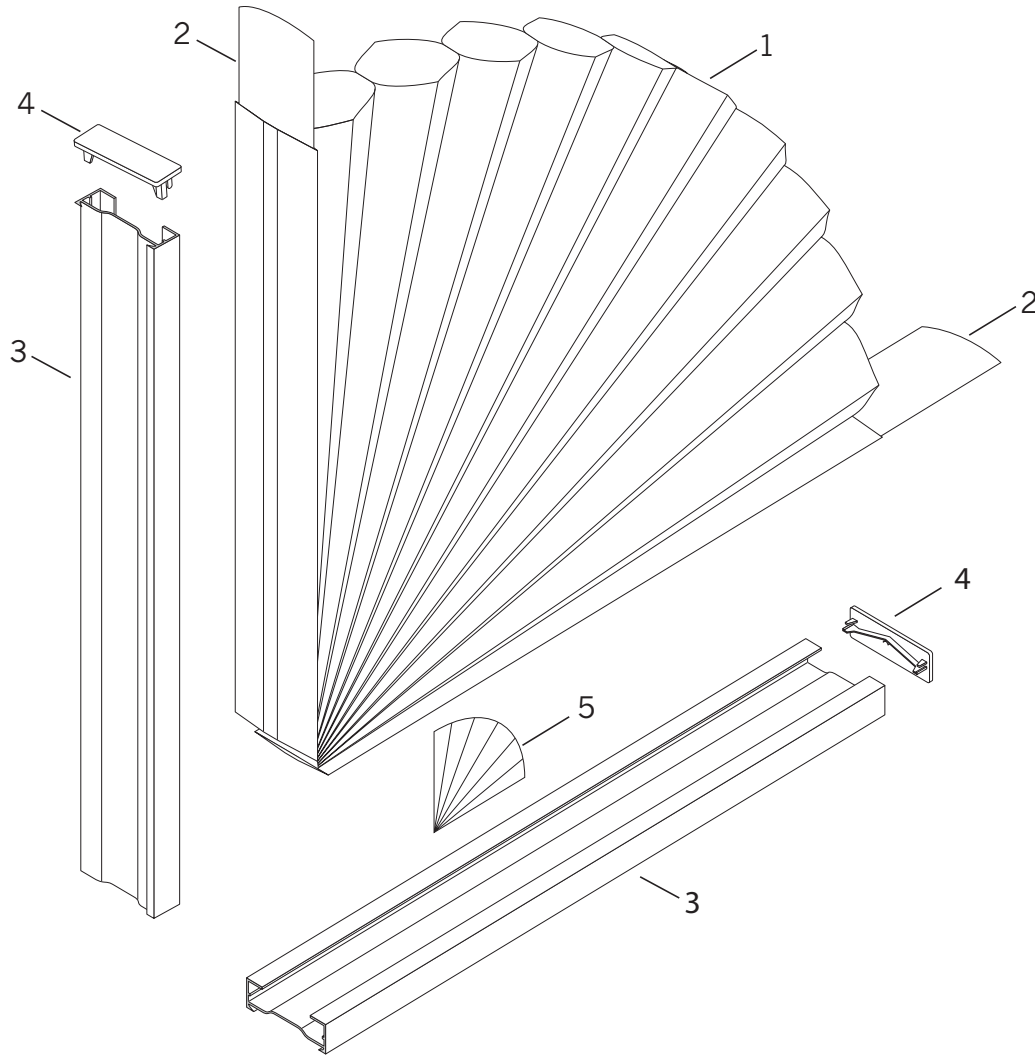
Additional Hardware:

(For pictures & specifics, see Applause® Specialty Shapes Additional Hardware)

2980039000 Arch Support Clip

xxx = 3-digit color code

Applause® Quarter Circle



Standard Parts

1. Fabric
2. Filler Strip
3. Headrail/Bottom Rail
4. Headrail End Cap

Optional:

5. Applause® Disc Arch Cover

Applause® Quarter Circle

No.	PCN	Description
1.	N/A	Fabric (3/8" & 3/4")
2.	2954000000	Filler Strip (3/8")
	2974000000	Filler Strip (3/4")
3.	2950010xxx	Headrail/Bottom Rail (3/8")
	2970010xxx	Headrail/Bottom Rail (3/4")
4.	2950020xxx	End Cap (3/8")
	2970020xxx	End Cap (3/4")
Optional:		
5.	2980247000	Applause® Disc Arch Cover

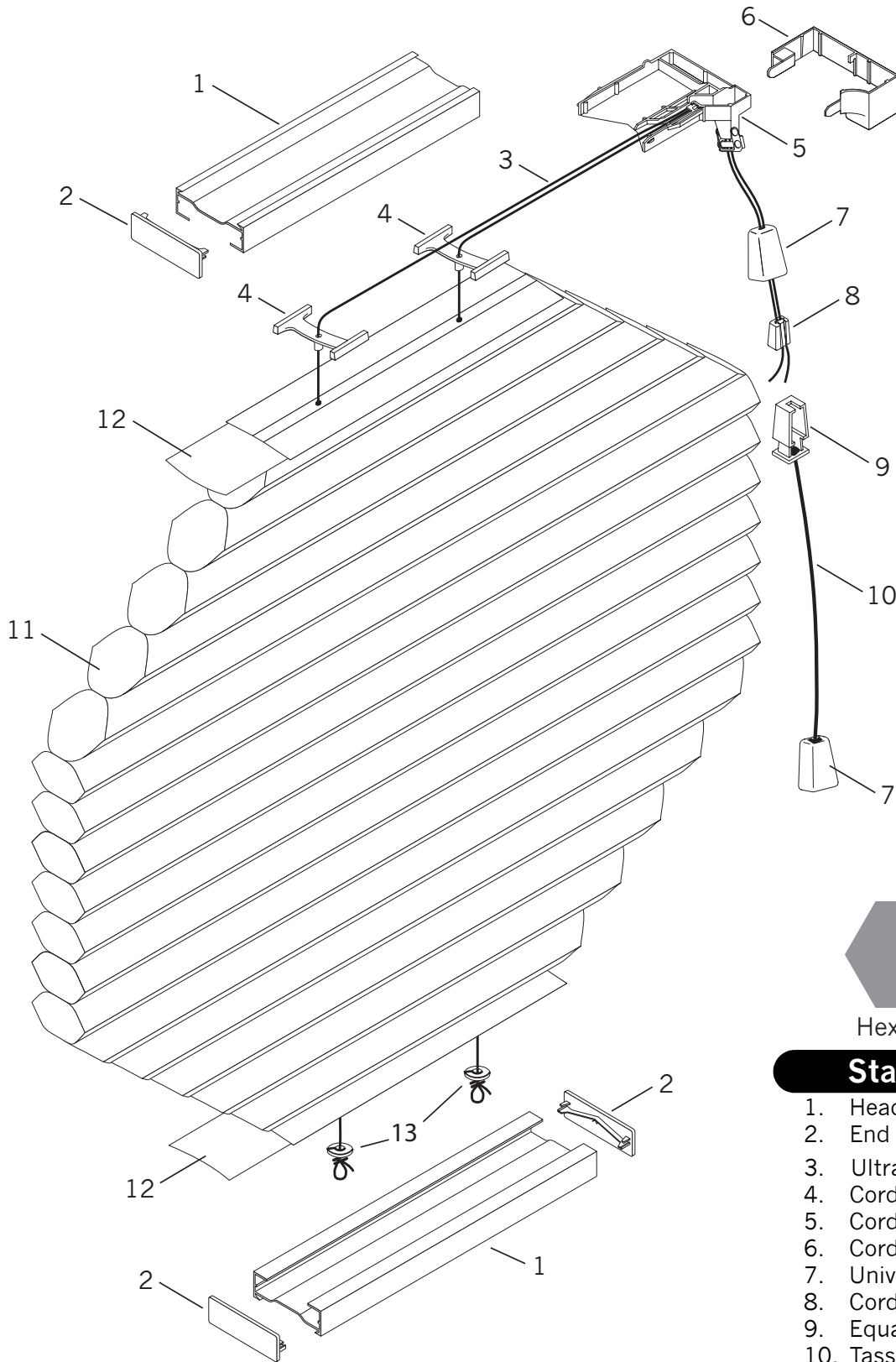
Additional Hardware:

(For pictures & specifics, see Applause® Specialty Shapes Additional Hardware)

2980038000	Specialty End Mount Bracket (3/8") - Inside Mount Only
2980050000	Specialty End Mount Bracket (3/4") - Inside Mount Only
2980033000	Wall Mount Bracket (3/8") - Outside Mount Only
2980051000	Wall Mount Bracket (3/4") - Outside Mount Only
2980039000	Arch Support Clip

xxx = 3-digit color code

Applause® Octagon-Hexagon



Hexagon

Octagon

Standard Parts

1. Headrail/Bottom Rail
2. End Cap
3. Ultrawear® Cord
4. Cord Guide
5. Cordlock Body
6. Cordlock Cover
7. Universal Cover/Tassel
8. Cord Equalizer
9. Equalizer Housing
10. Tassel Cord
11. Fabric
12. Filler Strip
13. Washer

Applause® Octagon-Hexagon

No.	PCN	Description
1.	2950010xxx 2970010xxx	Headrail/Bottom Rail (3/8") Headrail/Bottom Rail (3/4" & Double Honeycomb)
2.	2950020xxx 2970020xxx	End Cap (3/8") End Cap (3/4" & Double Honeycomb)
3.	2679000000	0.9 mm Ultrawear® Cord
4.	2950100000 2970200000	Cord Guide (3/8") Cord Guide (3/4" & Double Honeycomb)
5.	2950067000 2950068000 2970067000 2970068000	Cordlock Body RH (3/8") Cordlock Body LH (3/8") Cordlock Body RH (3/4" & Double Honeycomb) Cordlock Body LH (3/4" & Double Honeycomb)
6.	2950075xxx 2950085xxx 2970070xxx 2970080xxx	Cordlock Cover RH (3/8") Cordlock Cover LH (3/8") Cordlock Cover RH (3/4" & Double Honeycomb) Cordlock Cover LH (3/4" & Double Honeycomb)
7.	2930440xxx	Universal Cover/Tassel
8.	2930220000	Cord Equalizer
9.	2930561000	Equalizer Housing
10.	2930320xxx	2.2 mm Tassel Cord
11.	N/A	Fabric (3/8", 3/4", Double Honeycomb)
12.	2954000000 2974000000	Filler Strip (3/8") Filler Strip (3/4" & Double Honeycomb)
13.	2930130000	Washer

Additional Hardware:

(For pictures & specifics, see Applause® Specialty Shapes Additional Hardware)

2950062000	Installation Bracket (3/8")
2970061000	Installation Bracket (3/4", Double Honeycomb)
5007311000	Hold-Down Bracket (3/8")
5007312000	Hold-Down Bracket (3/4", Double Honeycomb)
2250071XXX	Swivel Bracket (3/8")
2270071XXX	Swivel Bracket (3/4")
2930230000	Spacer Block
2930340000	Extension Bracket

xxx = 3-digit color code

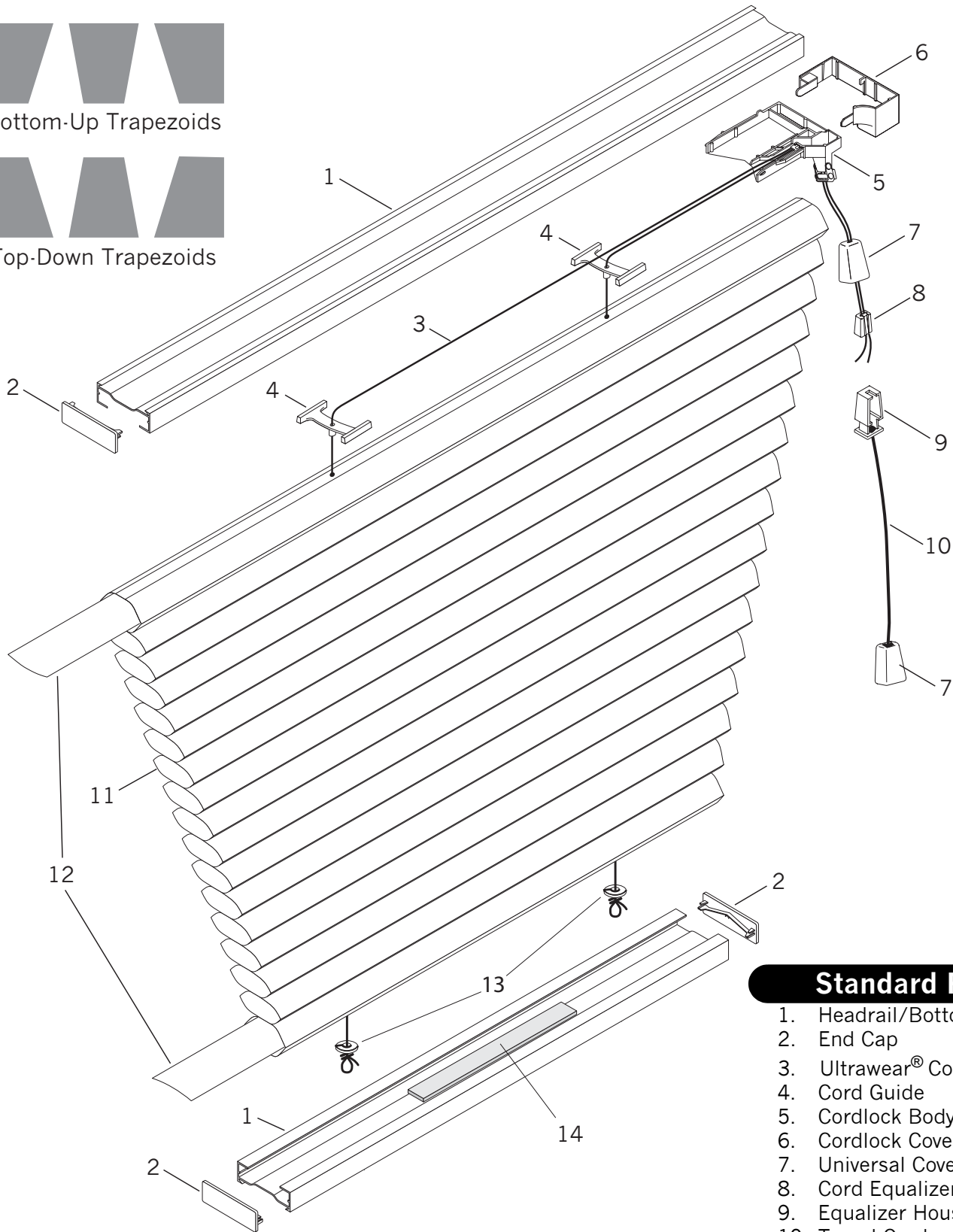
Applause® Trapezoid



Bottom-Up Trapezoids



Top-Down Trapezoids



Standard Parts

1. Headrail/Bottom Rail
2. End Cap
3. Ultrawear® Cord
4. Cord Guide
5. Cordlock Body
6. Cordlock Cover
7. Universal Cover/Tassel
8. Cord Equalizer
9. Equalizer Housing
10. Tassel Cord
11. Fabric
12. Filler Strip
13. Washer
14. Rail Weight

Applause® Trapezoid

No.	PCN	Description
1.	2950010xxx 2970010xxx	Headrail/Bottom Rail (3/8") Headrail/Bottom Rail (3/4" & Double Honeycomb)
2.	2950020xxx 2970020xxx	End Cap (3/8") End Cap (3/4" & Double Honeycomb)
3.	2679000000	0.9 mm Ultrawear® Cord
4.	2950100000 2970200000	Cord Guide (3/8") Cord Guide (3/4" & Double Honeycomb)
5.	2950067000 2950068000 2970067000 2970068000	Cordlock Body RH (3/8") Cordlock Body LH (3/8") Cordlock Body RH (3/4" & Double Honeycomb) Cordlock Body LH (3/4" & Double Honeycomb)
6.	2950075xxx 2950085xxx 2970070xxx 2970080xxx	Cordlock Cover RH (3/8") Cordlock Cover LH (3/8") Cordlock Cover RH (3/4" & Double Honeycomb) Cordlock Cover LH (3/4" & Double Honeycomb)
7.	2930440xxx	Universal Cover/Tassel
8.	2930220000	Cord Equalizer
9.	2930561000	Equalizer Housing
10.	2930320xxx	2.2 mm Tassel Cord
11.	N/A	Fabric (3/8", 3/4" & Double Honeycomb)
12.	2954000000 2974000000	Filler Strip (3/8") Filler Strip (3/4" & Double Honeycomb)
13.	2930130000	Washer
14.	2982028000	Rail Weight

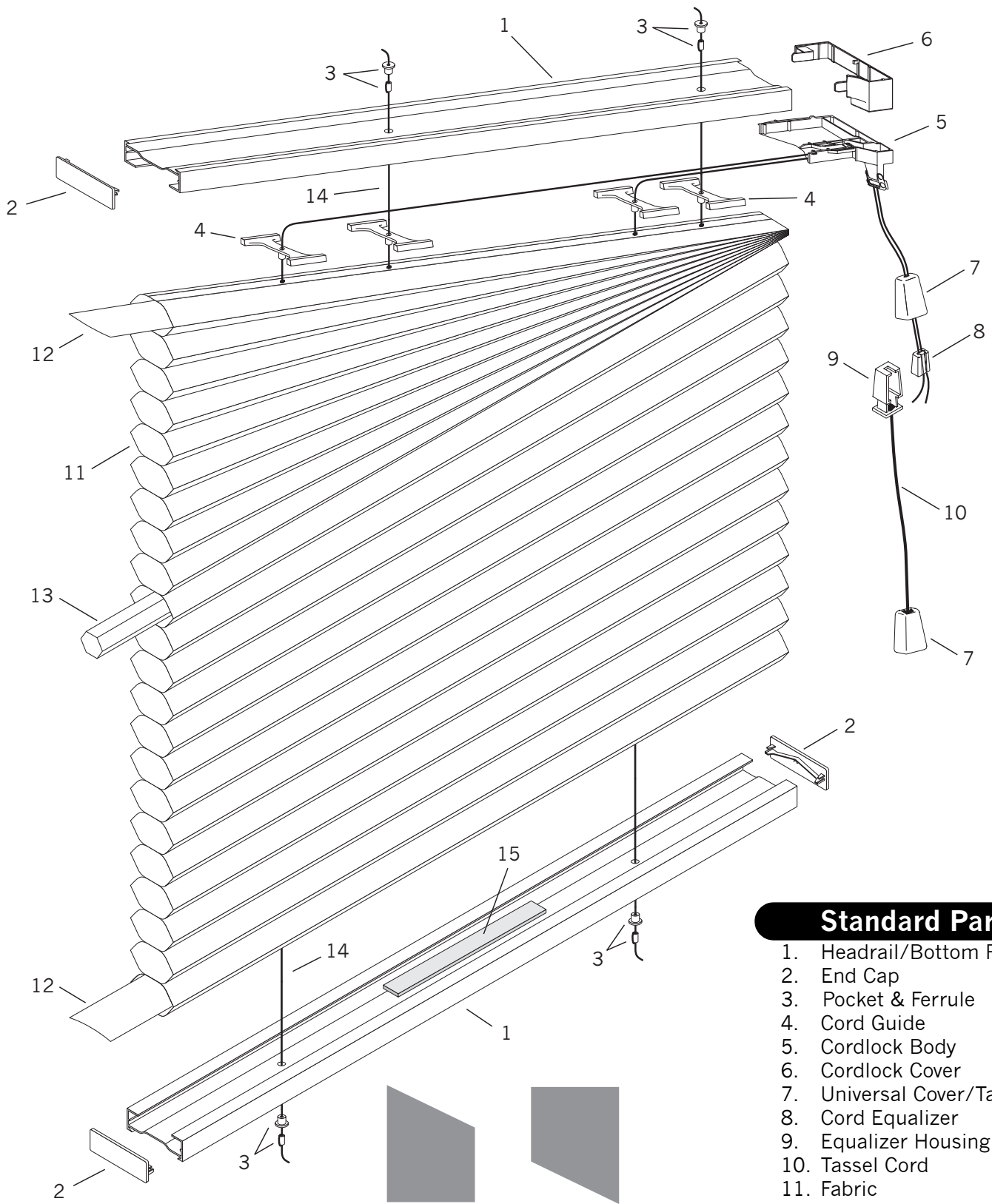
Additional Hardware:

(For pictures & specifics, see Applause® Specialty Shapes Additional Hardware)

2950062000	Installation Bracket (3/8")
2970061000	Installation Bracket (3/4" & Double Honeycomb)
5007311000	Hold-Down Bracket (3/8")
5007312000	Hold-Down Bracket (3/4", Double Honeycomb)
2250071XXX	Swivel Bracket (3/8")
2270071XXX	Swivel Bracket (3/4")
2930230000	Spacer Block
2930340000	Extension Bracket

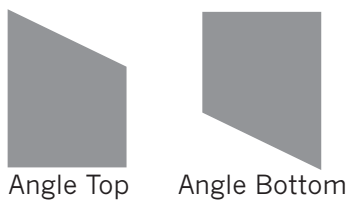
xxx = 3-digit color code

Applause® Angle Top



Standard Parts

1. Headrail/Bottom Rail
2. End Cap
3. Pocket & Ferrule
4. Cord Guide
5. Cordlock Body
6. Cordlock Cover
7. Universal Cover/Tassel
8. Cord Equalizer
9. Equalizer Housing
10. Tassel Cord
11. Fabric
12. Filler Strip
13. Acrylic Rod
14. Ultrawear® Cord
15. Rail Weight



Fan cords which pass through the headrail are tied off with washers (not shown) at the acrylic rod (13).

Applause® Angle Top

No.	PCN	Description
1.	2950010xxx	Headrail/Bottom Rail (3/8")
	2970010xxx	Headrail/Bottom Rail (3/4")
2.	2950020xxx	End Cap (3/8")
	2970020xxx	End Cap (3/4")
3.	3200155xxx	Pocket & Ferrule
4.	2950100000	Cord Guide (3/8")
	2970200000	Cord Guide (3/4")
5.	2950067000	Cordlock Body RH (3/8")
	2950068000	Cordlock Body LH (3/8")
	2970067000	Cordlock Body RH (3/4")
	2970068000	Cordlock Body LH (3/4")
6.	2950075xxx	Cordlock Cover RH (3/8")
	2950085xxx	Cordlock Cover LH (3/8")
	2970070xxx	Cordlock Cover RH (3/4")
	2970080xxx	Cordlock Cover LH (3/4")
7.	2930440xxx	Universal Cover/Tassel
8.	2930220000	Cord Equalizer
9.	2930561000	Equalizer Housing
10.	2930320xxx	2.2 mm Tassel Cord
11.	N/A	Fabric (3/8" & 3/4")
12.	2954000000	Filler Strip (3/8")
	2974000000	Filler Strip (3/4")
13.	2980056000	Acrylic Rod
14.	679000000	0.9 mm Ultrawear® Cord
15.	2982028000	Rail Weight

Optional:

2930130000	Washer (Not Shown)
------------	--------------------

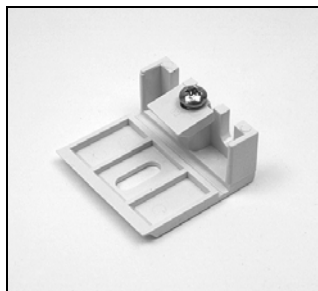
Additional Hardware:

(For pictures & specifics, see Applause® Specialty Shapes Additional Hardware)

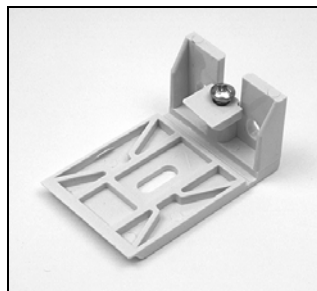
2950062000	Standard Installation Bracket (3/8")
2970061000	Standard Installation Bracket (3/4")
5007311000	Hold-Down Bracket (3/8")
5007312000	Hold-Down Bracket (3/4", Double Honeycomb)
2250071XXX	Swivel Bracket (3/8")
2270071XXX	Swivel Bracket (3/4")
2930230000	Spacer Block
2930340000	Extension Bracket

xxx = 3-digit color code

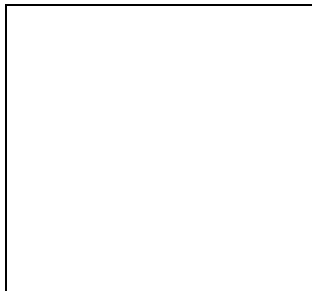
Applause® Specialty Shapes Additional Hardware



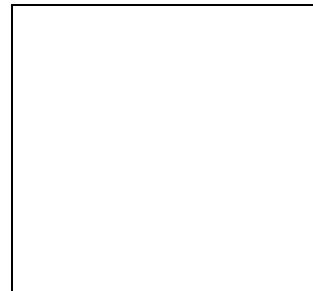
Installation Bracket 3/8"
PCN 2950062000



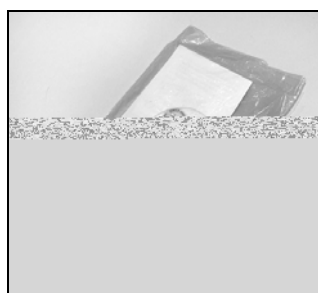
Installation Bracket 3/4"
PCN 2970061000



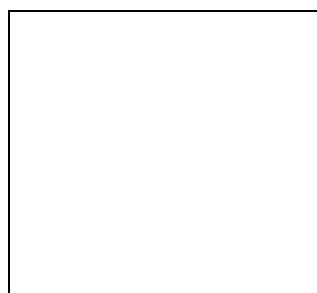
Swivel Bracket 3/8"
PCN 2250071xxx



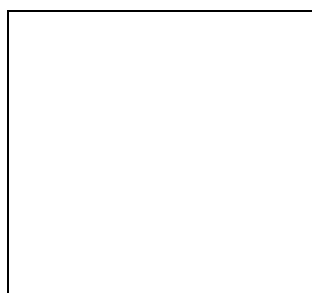
Swivel Bracket 3/4"
PCN 2270071xxx



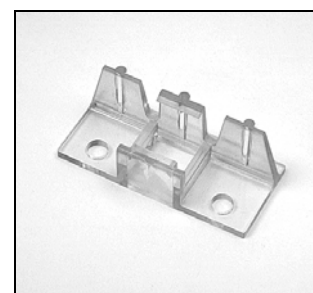
End Mount Bracket Kit
3/8", 1/2" PCN 2980338000



End Mount Bracket Kit
3/4" PCN 2980350000



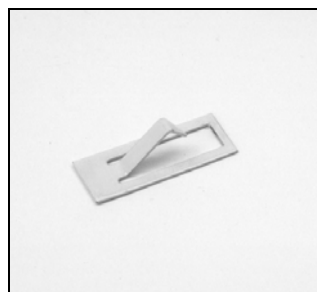
Wall Mount Bracket 3/4"
PCN 2980033000



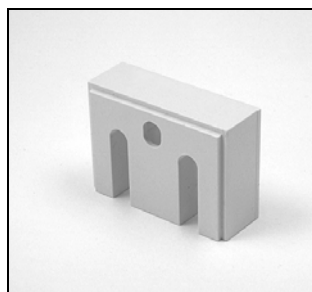
Wall Mount Bracket 3/8"
PCN 2980051000



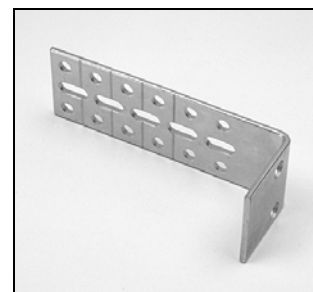
Arch Support Clip
PCN 2980039000



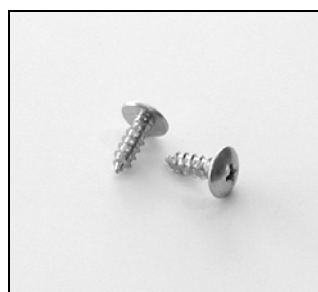
Arch Support Hook
PCN 2980174000



Spacer Block
PCN 2930230000



Extension Bracket
PCN 2930340000



Large Head Screws
PCN 2980203000



Mounting Screws 6X1.5
PCN 2980153000

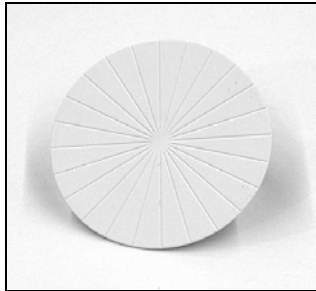


Hold-Down Brackets 3/8"
PCN 5007311000



Hold-Down Brackets 3/4"
PCN 5007312000

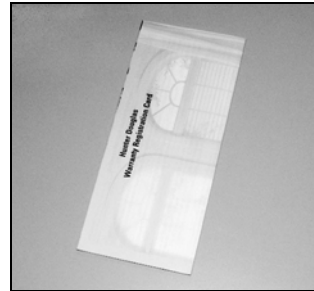
Applause® Specialty Shapes Additional Hardware



Applause® Disc Arch Cover
PCN 2980247000



Child Safety Kit
PCN 2980246000



Hunter Douglas Warranty
Registration Card
PCN 7107622000



Generic Arches, Circles &
Quarter Circles
Installation Instructions
PCN 5109168000



Generic Specialty Shapes
Installation Instructions
PCN 5109172000



Generic Angle Shades
Installation Instructions
PCN 5109170000



About Applause
PCN 5109157000