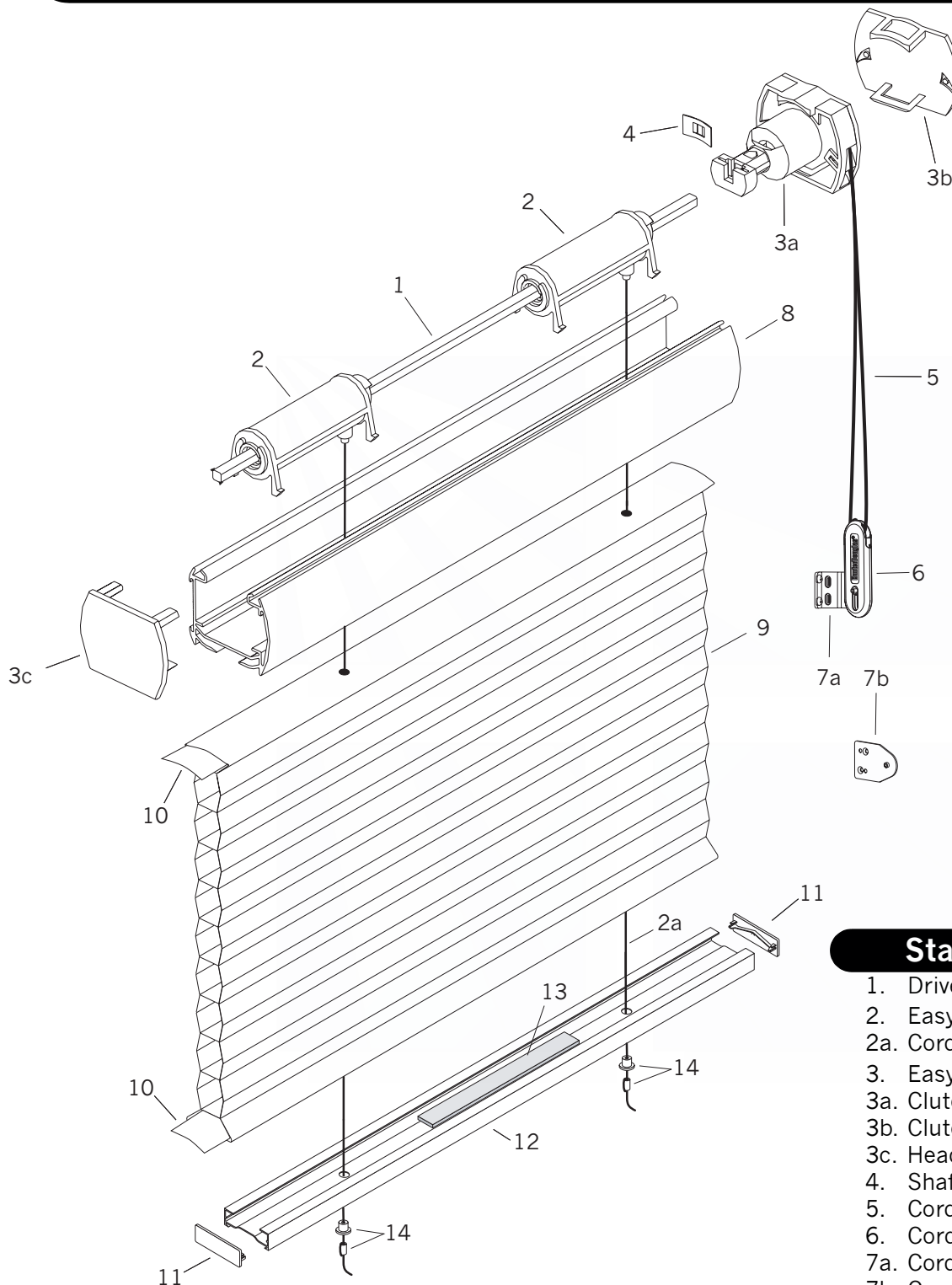


# Applause® with EasyRise™ Standard



## Standard Parts

1. Drive Shaft
2. EasyRise™ Lift Set/Spool Assembly
- 2a. Cord
3. EasyRise™ Clutch Set
- 3a. Clutch
- 3b. Clutch Cover
- 3c. Headrail End Cap
4. Shaft Retainer Clip
5. Cord Loop
6. Cord Tensioner
- 7a. Cord Tensioner Mounting Kit
- 7b. Cord Tensioner Mounting Kit - Flush
8. EasyRise™ Headrail
9. Fabric
10. Filler
11. Bottom Rail End Cap
12. Bottom Rail
13. Rail Weight\*
14. Pocket & Ferrule

# Applause® with EasyRise™ Standard

<b>No.</b>	<b>PCN</b>	<b>Description</b>
1.	2982013000	Drive Shaft, Steel (12' Length)
2.	2980028000	EasyRise™ Lift Set/Spool Assembly
2a.	2671000000	0.9 mm Cord
3.	2980027785	EasyRise™ Clutch Set
3a.	N/A	Clutch
3b.	N/A	Clutch Cover
3c.	N/A	Headrail End Cap
4.	2982020000	Shaft Retainer Clip
5.	4190020xxx	Cord Loop (2')
	4190030xxx	Cord Loop (3')
	4190040xxx	Cord Loop (4')
	4190050xxx	Cord Loop (5')
6.	4153028xxx	Cord Tensioner
7a.	4153052000	Cord Tensioner Mounting Kit
7b.	4154898000	Cord Tensioner Mounting Kit (Flush Mount)
8.	2981002785	EasyRise™ Headrail
9.	N/A	Fabric
10.	2954000000	Filler Strip
11.	2950020xxx	Bottom Rail End Cap
12.	2950010xxx	Bottom Rail
13.	2982028000	Rail Weight (*used only if needed)
14.	3200155xxx	Pocket & Ferrule

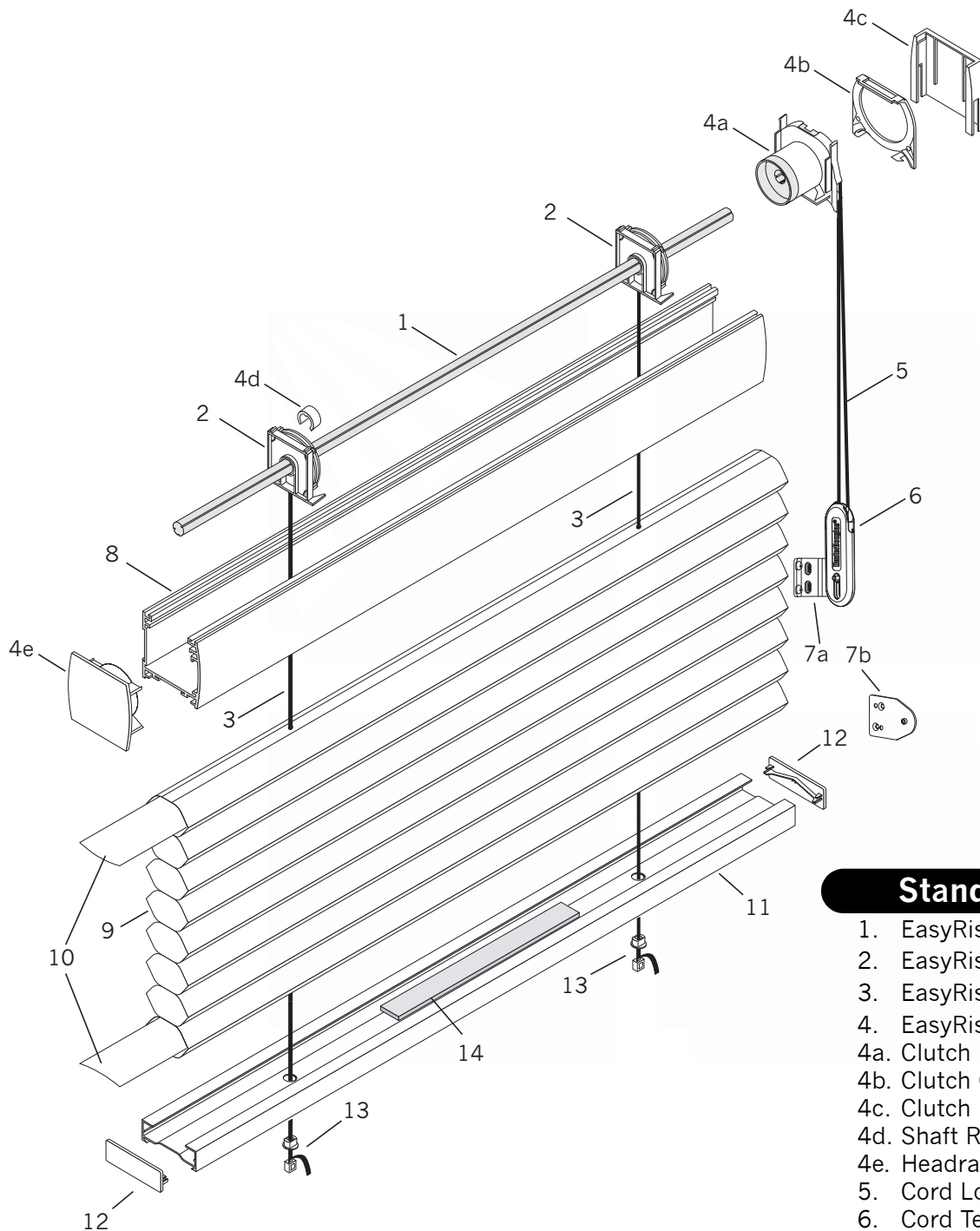
## **Additional Hardware:**

**(For pictures & specifics, see Applause® Easy-Lifting Systems Additional Hardware)**

2980026000	Installation Bracket (3/8")
5007311000	Hold-Down Bracket (3/8")
2930230000	Spacer Block
2930340000	Extension Bracket

xxx = 3-digit color code

# Applause® with EasyRise™ Standard



## Standard Parts

1. EasyRise™ Shaft
2. EasyRise™ Lift Set
3. EasyRise™ Tape
4. EasyRise™ Clutch Set
  - 4a. Clutch
  - 4b. Clutch Cover
  - 4c. Clutch End Cap
  - 4d. Shaft Retainer
- 4e. Headrail End Cap
5. Cord Loop
6. Cord Tensioner
- 7a. Cord Tensioner Mounting Kit
- 7b. Cord Tensioner Mounting Kit - Flush
8. EasyRise™ Headrail
9. Fabric
10. Filler Strip
11. Bottom Rail
12. Bottom Rail End Cap
13. Pocket & Buckle
14. Rail Weight\*

# Applause® with EasyRise™ Standard

<b>No.</b>	<b>PCN</b>	<b>Description</b>
1.	2980060000	EasyRise™ Shaft
2.	2980025000	EasyRise™ Lift Set
3.	2980062000	EasyRise™ Tape
4.	2980022785	EasyRise™ Clutch Set
4a.	N/A	Clutch
4b.	N/A	Clutch Cover
4c.	N/A	Clutch End Cap
4d.	N/A	Shaft Retainer
4e.	N/A	Headrail End Cap
5.	4190020xxx	Cord Loop (2')
	4190030xxx	Cord Loop (3')
	4190040xxx	Cord Loop (4')
	4190050xxx	Cord Loop (5')
6.	4153028xxx	Cord Tensioner
7a.	4153052000	Cord Tensioner Mounting Kit
7b.	4154898000	Cord Tensioner Mounting Kit (Flush Mount)
8.	2981009785	EasyRise™ Headrail
9.	N/A	Fabric (¾" & Double Honeycomb)
10.	2974000000	Filler Strip (¾" & Double Honeycomb)
11.	2970010xxx	Bottom Rail (¾" & Double Honeycomb)
12.	2970020xxx	Bottom Rail End Cap (¾" & Double Honeycomb)
13.	2980078785	Pocket & Buckle
14.	2982028000	Rail Weight (*used only if needed)

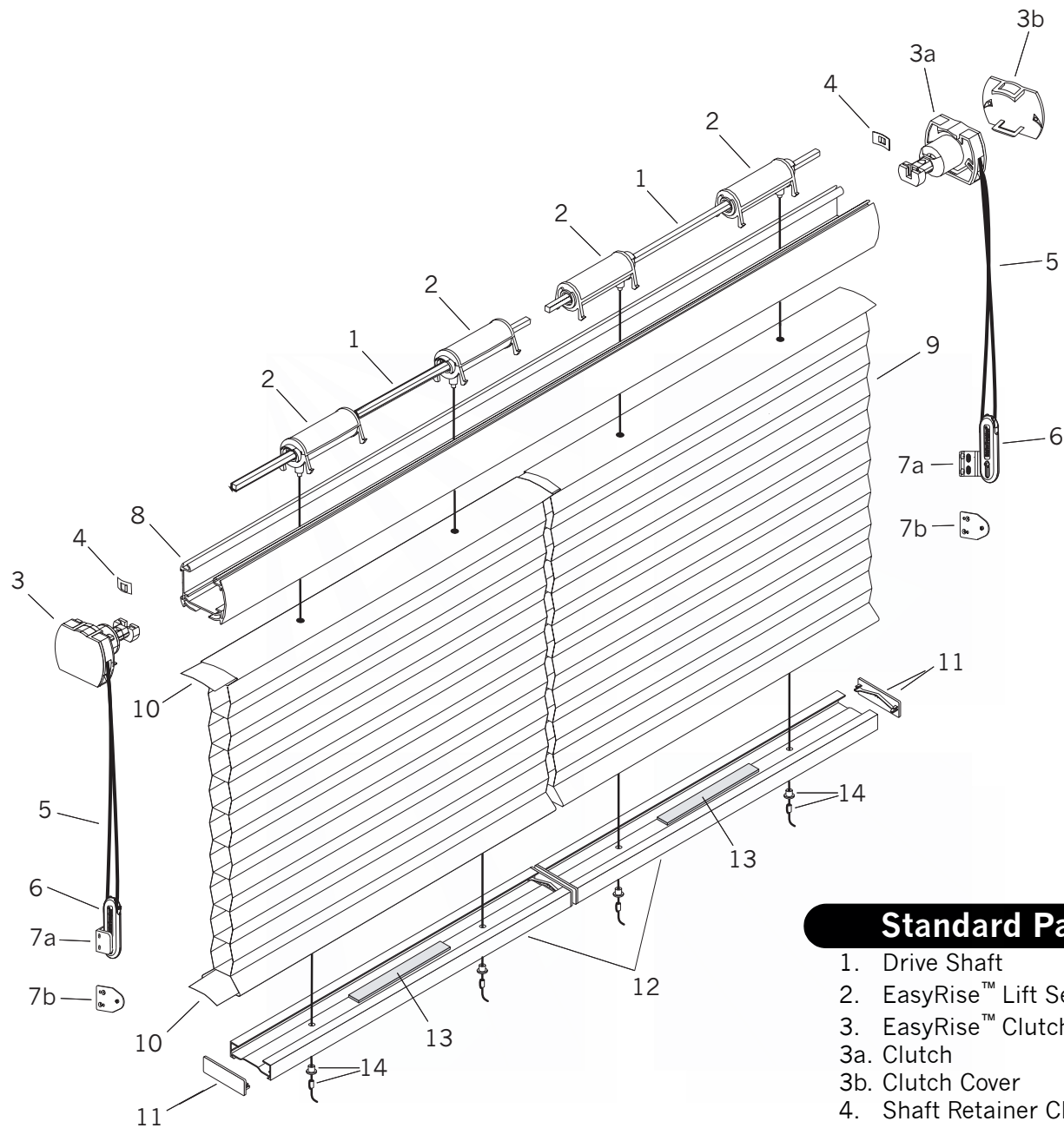
## **Additional Hardware:**

**(For pictures & specifics, see Applause® Easy-Lifting Systems Additional Hardware)**

2980021000	Installation Bracket (¾")
5007312000	Hold-Down Bracket (¾")
2930230000	Spacer Block
2930340000	Extension Bracket

xxx = 3-digit color code

# Applause® with EasyRise™ Two-On-One Headrail



## Standard Parts

1. Drive Shaft
2. EasyRise™ Lift Set/Spool Assembly
3. EasyRise™ Clutch Set
- 3a. Clutch
- 3b. Clutch Cover
4. Shaft Retainer Clip
5. Cord Loop
6. Cord Tensioner
- 7a. Cord Tensioner Mounting Kit
- 7b. Cord Tensioner Mounting Kit - Flush
8. EasyRise™ Headrail
9. Fabric
10. Filler Strip
11. Bottom Rail End Cap
12. Bottom Rail
13. Rail Weight\*
14. Pocket & Ferrule

# Applause® with EasyRise™ Two-On-One Headrail

<b>No.</b>	<b>PCN</b>	<b>Description</b>
1.	2982013000	Drive Shaft, Steel (12' Length)
2.	2980028000	EasyRise™ Lift Set/Spool Assembly
2a.	2671000000	0.9 mm Cord
3.	2980027785	EasyRise™ Clutch Set
3a.	N/A	Clutch
3b.	N/A	Clutch Cover
4.	2982020000	Shaft Retainer Clip
5.	4190020xxx	Cord Loop (2')
	4190030xxx	Cord Loop (3')
	4190040xxx	Cord Loop (4')
	4190050xxx	Cord Loop (5')
6.	4153028xxx	Cord Tensioner
7a.	4153052000	Cord Tensioner Mounting Kit
7b.	4154898000	Cord Tensioner Mounting Kit (Flush Mount)
8.	2981002785	EasyRise™ Headrail (3/8")
9.	N/A	Fabric (3/8")
10.	2954000000	Filler Strip (3/8")
11.	2950020xxx	Bottom Rail End Cap (3/8")
12.	2950010xxx	Bottom Rail (3/8")
13.	2982028000	Rail Weight (*used only if needed)
14.	3200155xxx	Pocket & Ferrule

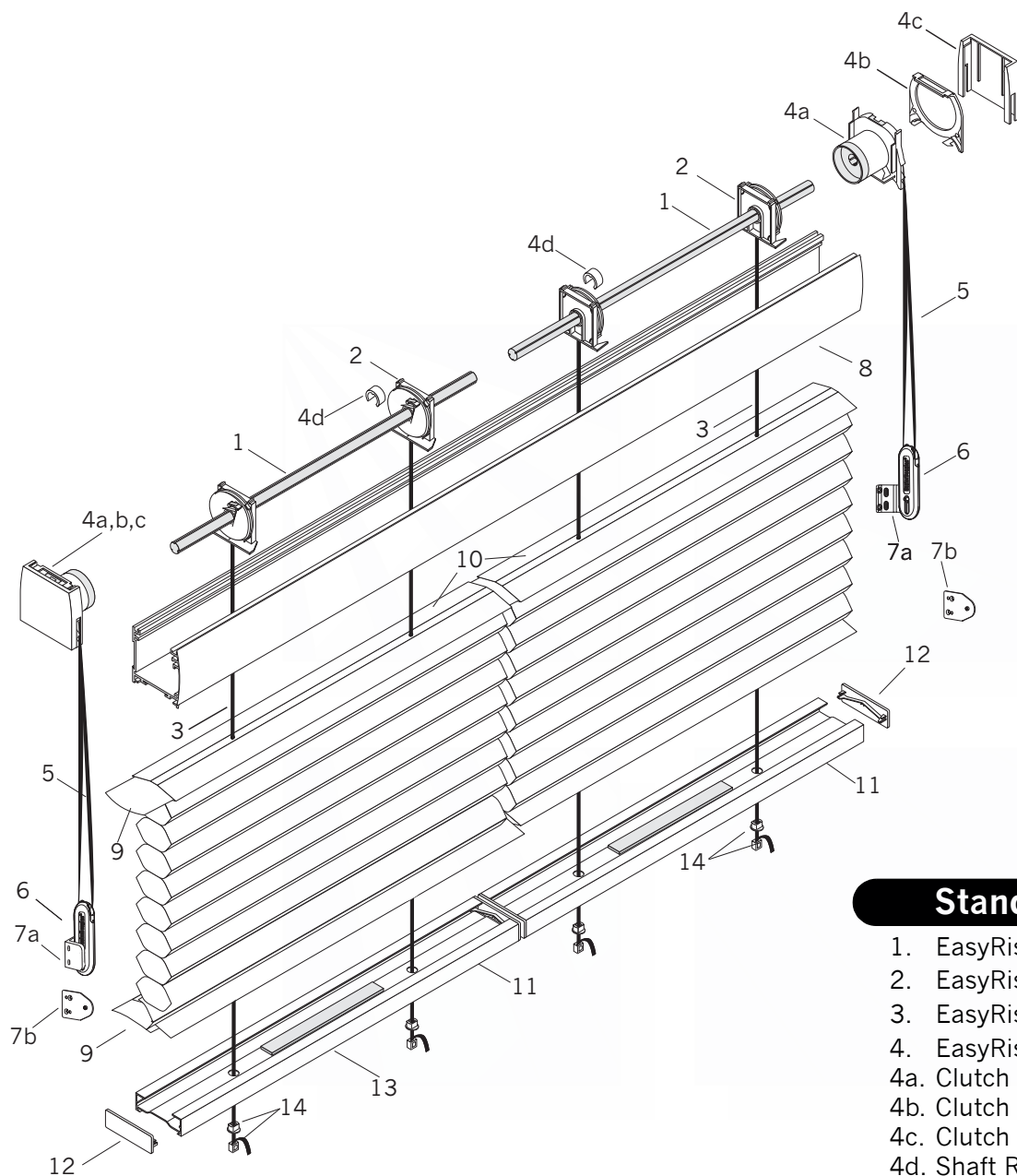
## **Additional Hardware:**

**(For pictures & specifics, see Applause® Easy-Lifting Systems Additional Hardware)**

2980026000	Installation Bracket (3/8")
5007311000	Hold-Down Bracket (3/8")
2930230000	Spacer Block
2930340000	Extension Bracket

xxx = 3-digit color code

# Applause® with EasyRise™ Two-On-One Headrail



## Standard Parts

1. EasyRise™ Shaft
2. EasyRise™ Lift Set
3. EasyRise™ Tape
4. EasyRise™ Clutch Set (Not Numbered)
- 4a. Clutch
- 4b. Clutch Cover
- 4c. Clutch End Cap
- 4d. Shaft Retainer
5. Cord Loop
6. Cord Tensioner
- 7a. Cord Tensioner Mounting Kit
- 7b. Cord Tensioner Mounting Kit - Flush
8. EasyRise™ Headrail
9. Filler Strip
10. Fabric
11. Bottom Rail
12. Bottom Rail End Cap
13. Rail Weight\*
14. Pocket & Buckle

# Applause® with EasyRise™ Two-On-One Headrail

<b>No.</b>	<b>PCN</b>	<b>Description</b>
1.	2980060000	EasyRise™ Shaft
2.	2980025000	EasyRise™ Lift Set
3.	2980062000	EasyRise™ Tape
4.	2980022785	EasyRise™ Clutch Set
4a.	N/A	Clutch
4b.	N/A	Clutch Cover
4c.	N/A	Clutch End Cap
4d.	N/A	Shaft Retainer
5.	4190020xxx	Cord Loop (2')
	4190030xxx	Cord Loop (3')
	4190040xxx	Cord Loop (4')
	4190050xxx	Cord Loop (5')
6.	2930516xxx	Cord Tensioner
7a.	4153052000	Cord Tensioner Mounting Kit
7b.	4154898000	Cord Tensioner Mounting Kit (Flush Mount)
8.	2981009785	EasyRise™ Headrail
9.	2974000000	Filler Strip (¾" & Double Honeycomb)
10.	N/A	Fabric (¾" & Double Honeycomb)
11.	2970010xxx	Bottom Rail (¾" & Double Honeycomb)
12.	2970020xxx	Bottom Rail End Cap (¾" & Double Honeycomb)
13.	2982028000	Rail Weight (*used only if needed)
14.	2980078785	Pocket & Buckle

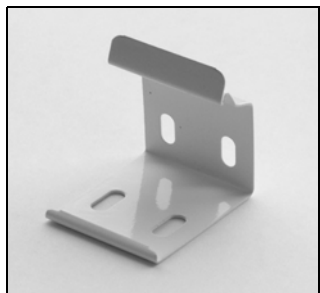
## **Additional Hardware:**

**(For pictures & specifics, see Applause® Easy-Lifting Systems Additional Hardware)**

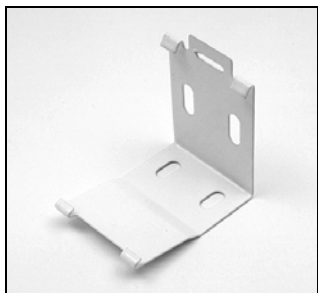
2980021000	Installation Bracket (¾")
5007312000	Hold-Down Bracket (¾")
2930230000	Spacer Block
2930340000	Extension Bracket

xxx = 3-digit color code

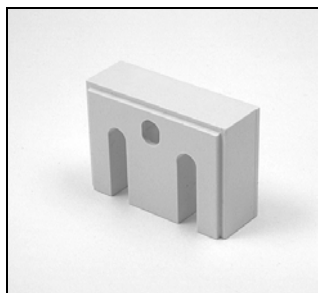
# Applause® Easy-Lifting Systems Additional Hardware



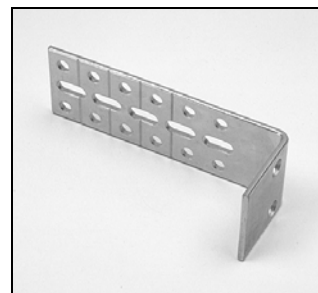
Applause® with EasyRise™  
3/8" Installation Bracket  
PCN 2980026000



Applause® with EasyRise™  
3/4" Installation Bracket  
PCN 2980021000



Spacer Block  
PCN 2930230000



Extension Bracket  
PCN 2930340000



3/8" Hold-Down Brackets  
PCN 5007311000



3/4" Hold-Down Brackets  
PCN 5007312000



Cord Tensioner Kit  
PCN 2930562000



Mounting Screws 6X1.5  
PCN 2980153000



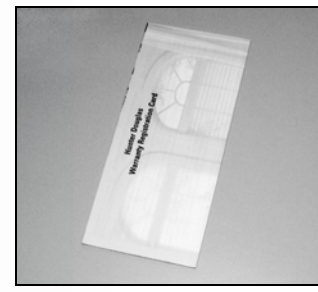
Universal Cord Tensioner  
Inside Mount Bracket Kit  
PCN 4154898000



Universal Cord Tensioner  
Outside Mount Bracket Kit  
PCN 4153052000



Generic EasyRise™  
Installation Instructions  
PCN 5109146000



Hunter Douglas Warranty  
Registration Card  
PCN 7107622000



About Applause  
PCN 5109157000