

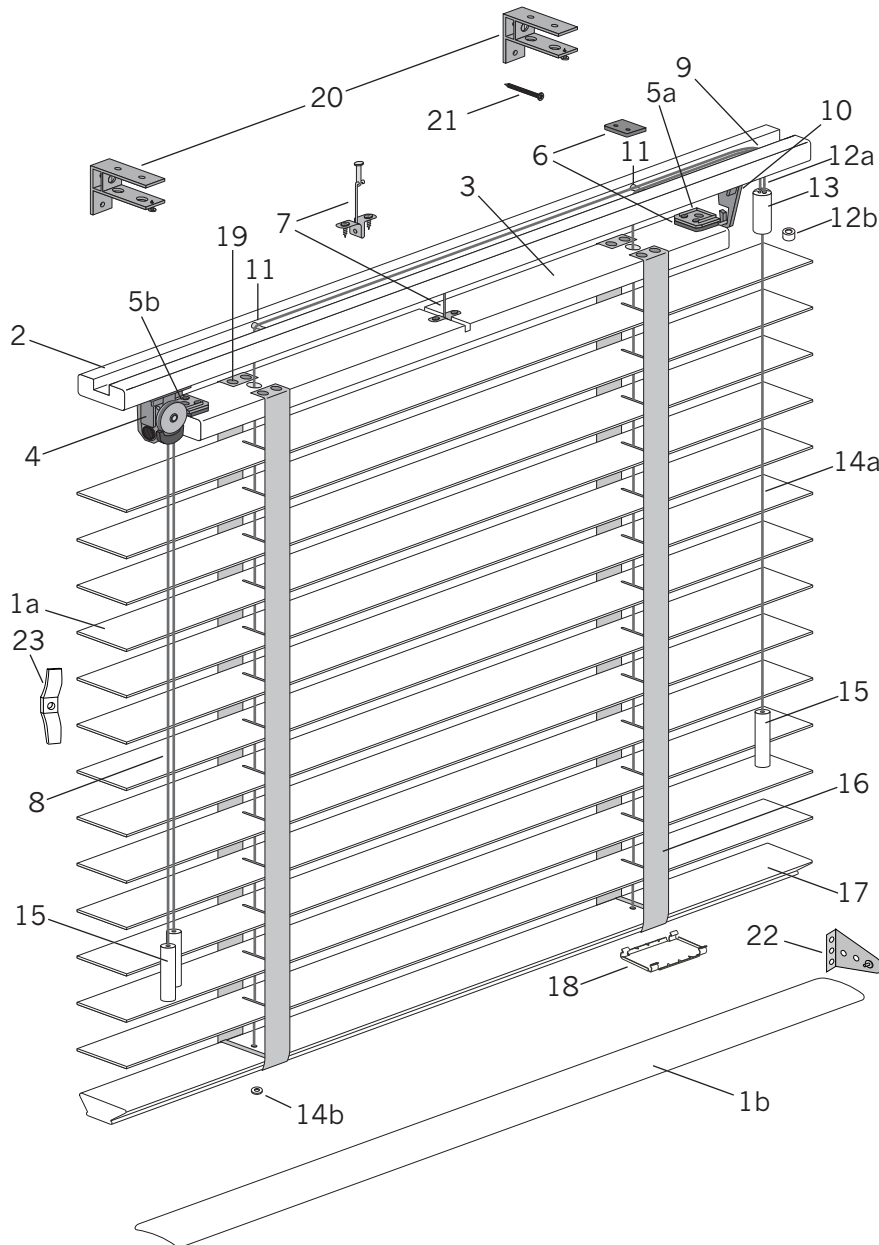
# 2" RetroLift™ Pulley System

## Standard Parts

- 1a. Wood Slat
  - 1b. Metal Slat
  2. Headrail
  3. Tilt Rail
  4. Cord Tilter
  - 5a. Connector (Round)
  - 5b. Connector (Square)
  6. Tilt Rail Spacer
  7. Tilt Rail Center Support\*
  8. Tilt Cord D-40
  9. Cordlock
  10. Fixer (Right)
  11. Support Roller
  - 12a. Lift Cord 1.4mm
  - 12b. Cord Stop Washer
  13. Cord Stop
  - 14a. Pull Cord D-40
  - 14b. Lift Cord Grommet
  15. Tassel
  16. Decorative Tape
  17. Bottom Rail
  18. Tape Lock
  19. Nail Bronze
  20. Installation Bracket
  21. Installation Screw
- \* Used on blinds over 54" wide only

## Optional Parts

22. Hold-Down Brackets
23. Child Safety Kit (Cord Cleat)



## 2" RetroLift™ Pulley System

<b>No.</b>	<b>PCN</b>	<b>Description</b>
1.	2Sxxx	2" Wood Slat
1b.	5001200xxxH	2" Slat Coil 50mm – Solid
	5001260xxxH	2" Slat Coil 50mm – Perforated
	5001220xxxH	2" Slat Coil 50mm – Metallic
2.	HRxxx	Headrail
3.	TRxxx	Tilt Rail
4.	RLGA0621	RetroLift™ Cord Tilter
5a.	RLGSS0621	RetroLift Connector (Round)
5b.	RLGSS0622	RetroLift Connector (Square)
6.	7007737000	RetroLift Tilt Rail Spacer
7.	G1010508	Tilt Rail Center Support (used on blinds over 54" wide only)
8.	7006100xxx	D-40 Tilt Cord
9.	RLGB0621	RetroLift Cord Lock
10.	RLGO0621	RetroLift Fixer (Right)
11.	RLGC0621	RetroLift Support Roller
12a.	5009075xxx	1.4mm Lift Cord
12b.	5008087000	Cord Stop Washer
13.	7007736xxx	Cord Stop
14a.	7006100xxx	D-40 Pull Cord
14b.	5008083000	Lift Cord Grommet
15.	DTAxxx	Alustra® Wood Tassel
16.	7002741xxx	Decorative Tape with Trim
17.	DRxxx	Deluxe Wood Bottom Rail
18.	7004036955	Bottom Rail Tape Lock
19.	G1010218	Décor Nail Bronze
20.	G1010521	RetroLift Bronze Metal Installation Bracket (Standard)
	G1010321	RetroLift Black Metal Installation Bracket (Optional)
21.	G1010310	Installation Screws (Brass Plated 3x16)
<b>Optional Parts:</b>		
22.	WWC900205	Hold Down Brackets (with Screws)
23.	2980246000	Child Safety Kit (Cord Cleat)

xxx = 3-digit color code