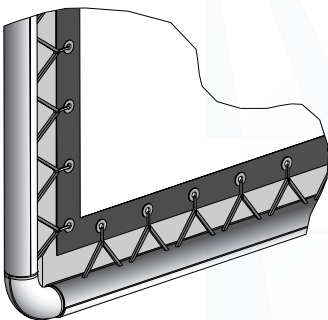




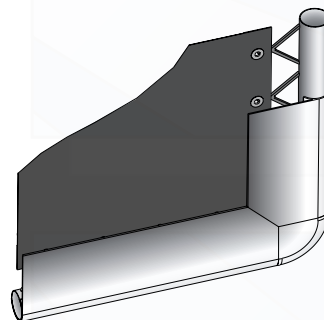
SERIES 200 LACE AND GROMMET FRAME

Lace and Grommet Framing System

- Constructed of 2" diameter aluminum tubing.
- Available with 6" wide Pro-Trim Masking Cover to conceal screen binding and lacing cord.
- Lacing Cord and "S" Hooks included and positioned.
- Recommended for use with Da-Lite's front and rear projection screen surfaces in sizes up to 30' x 30' outside dimension (see next page).
- Overall frame size will be 12" larger than screen viewing area when used with standard 2" screen binding.



REAR VIEW SERIES 200 FRAME



FRONT VIEW SERIES 200 FRAME WITH PRO-TRIM MASKING COVER

| Description | |
|--|---|
| Series 200 Lace and Grommet Frame | x |
| Series 200 Lace and Grommet Frame with 6" pro-Trim Masking Cover | x |