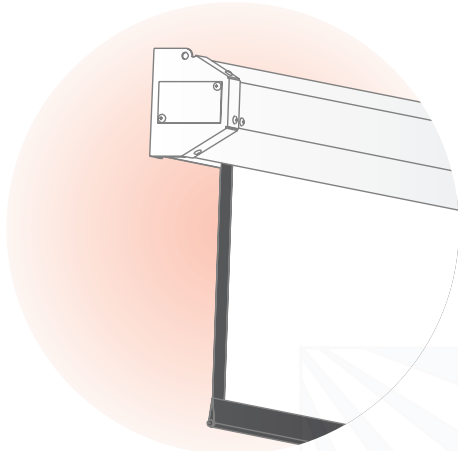
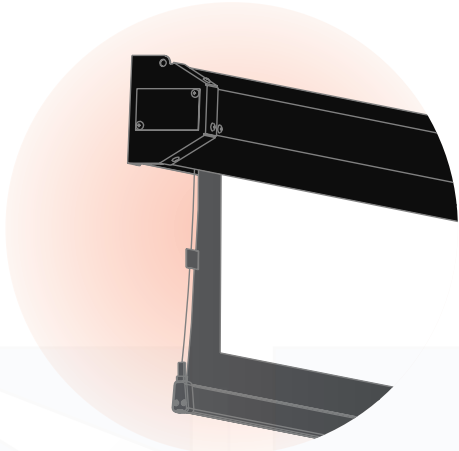


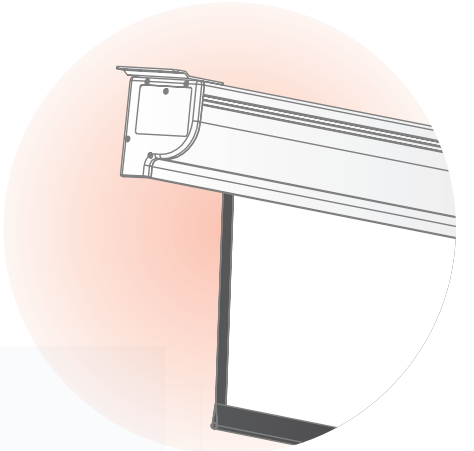
ELECTRIC SCREEN CASES



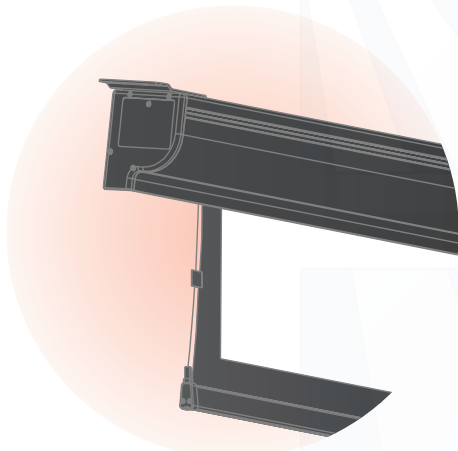
**Cosmopolitan® Electrol®**  
page 15



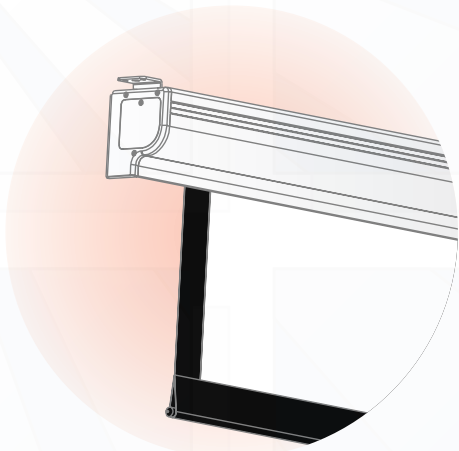
**Tensioned Cosmopolitan® Electrol®**  
page 16



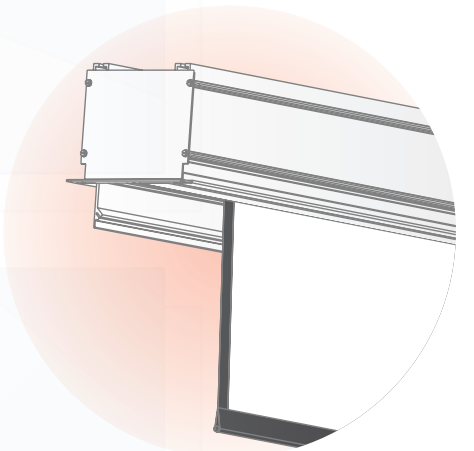
**Contour Electrol®**  
page 17



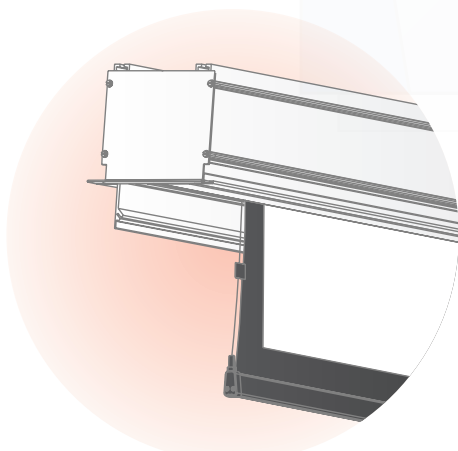
**Tensioned Contour Electrol®**  
page 18



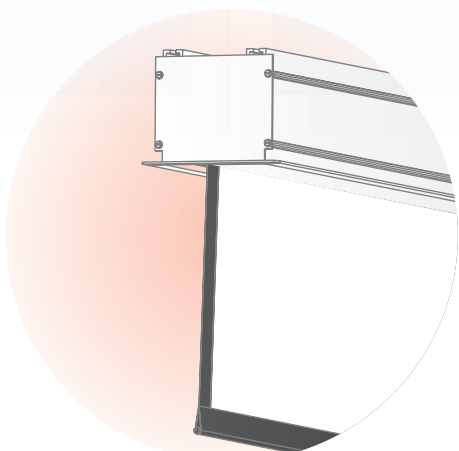
**Designer Contour Electrol®**  
page 19



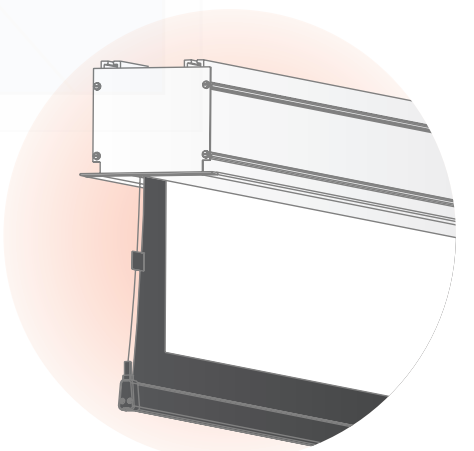
**Advantage Deluxe Electrol®**  
page 20



**Tensioned Advantage Deluxe Electrol®**  
page 21



**Advantage Electrol®**  
page 22



**Tensioned Advantage Electrol®**  
page 23

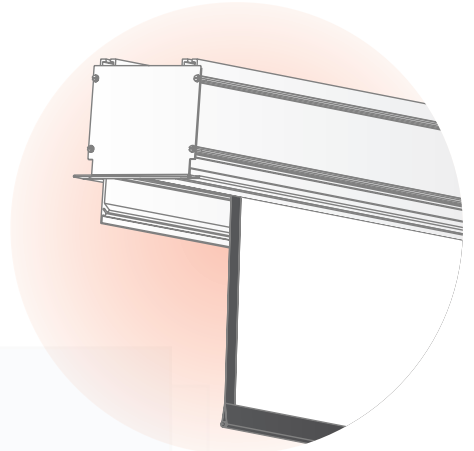
ELECTRIC SCREEN CASES



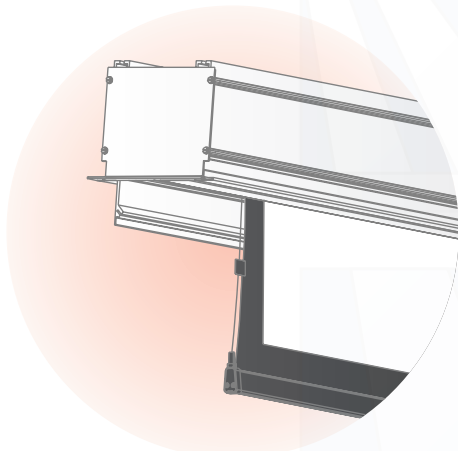
**Boardroom® Electrol®**  
page 24



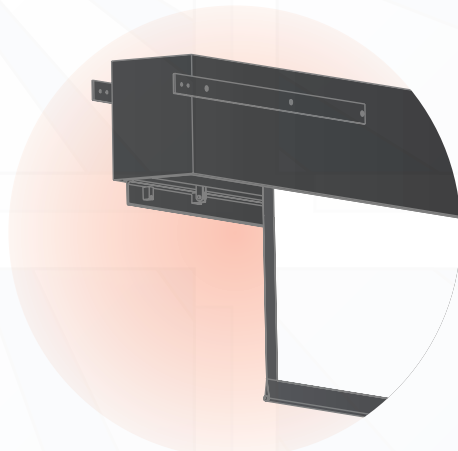
**Senior® Electrol®**  
page 25



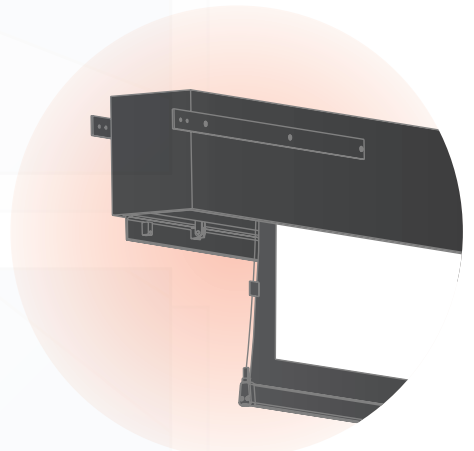
**Director Electrol®**  
page 26



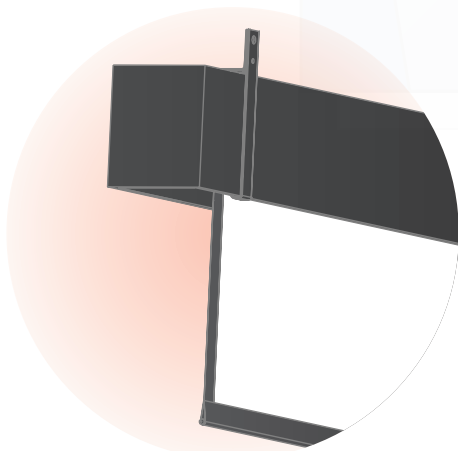
**Tensioned Director Electrol®**  
page 27



**Executive® Electrol®**  
page 28



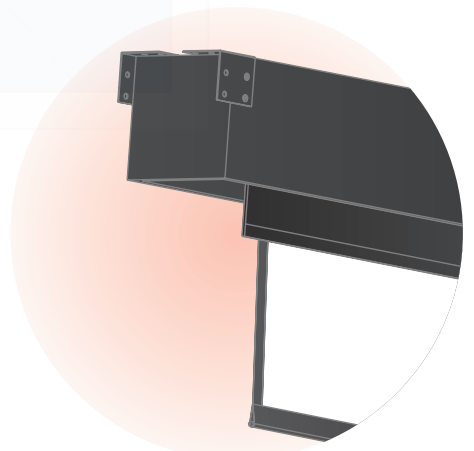
**Tensioned Executive® Electrol®**  
page 29



**Professional Electrol®**  
page 30



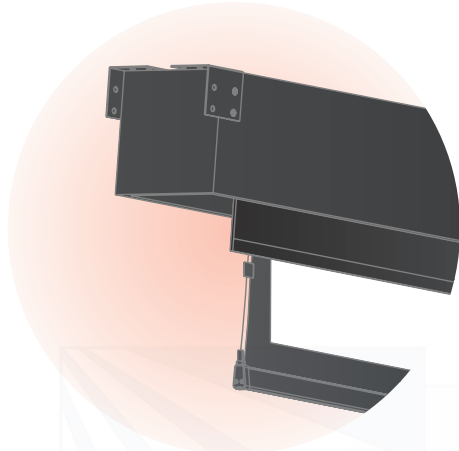
**Ascender Electrol®**  
page 31



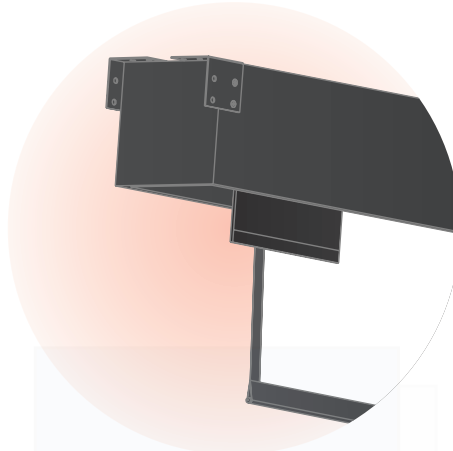
**Horizon Electrol®**  
page 32



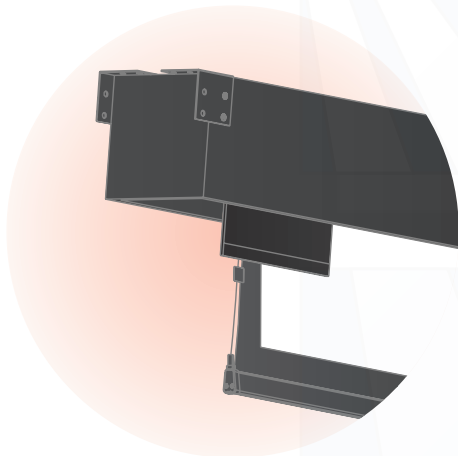
ELECTRIC SCREEN CASES



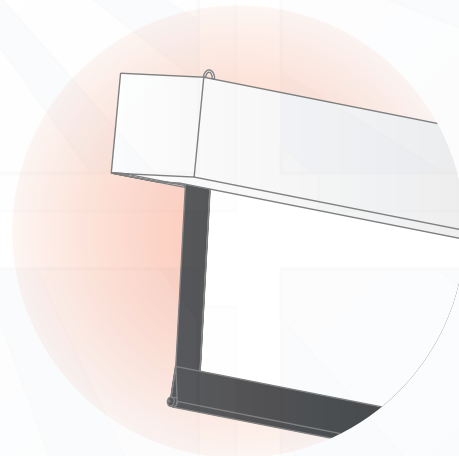
Tensioned Horizon Electrol®  
page 33



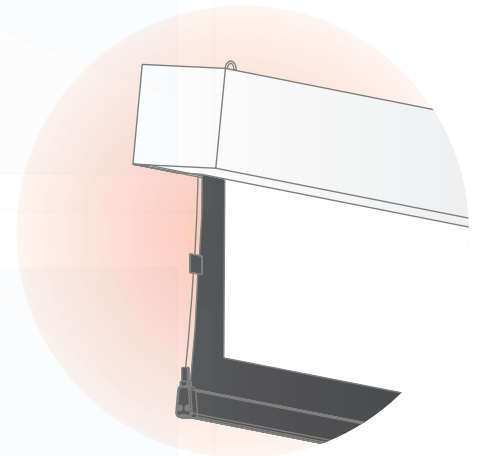
Dual Masking Electrol®  
page 34



Tensioned Dual Masking Electrol®  
page 35



Designer Electrol®  
page 36



Designer Da-Tab Electrol®  
page 37



Slimline Electrol®  
page 38



Electrolet®  
page 38